

C&K CR Series Round Single Pole Specialty Rocker Switches

Features/Benefits

- Round actuator and body
- Nice styling
- Multiple illuminated versions available
- IP65 splash proof rubber boot option

Typical Applications

- Appliances, small and large
- Office equipment
- Computers and peripherals



Specifications

CONTACT RATING:

UL: 10 AMPS @ 125 VAC, 6 AMPS @ 250 VAC.

VDE µ T85: 10 AMPS @ 125 VAC, 6 AMPS @ 250 VAC.

ELECTRICAL LIFE: 10,000 make and break cycles at full load.

INSULATION RESISTANCE: $10^8 \Omega$ min.

DIELECTRIC STRENGTH: 1,500 VRMS @ sea level.

Materials

HOUSING AND ACTUATOR: 6/6 nylon (UL94V-2), matte finish.

ILLUMINATED ACTUATOR: Polycarbonate, matte finish.

CENTER CONTACTS: Silver plated, copper alloy.

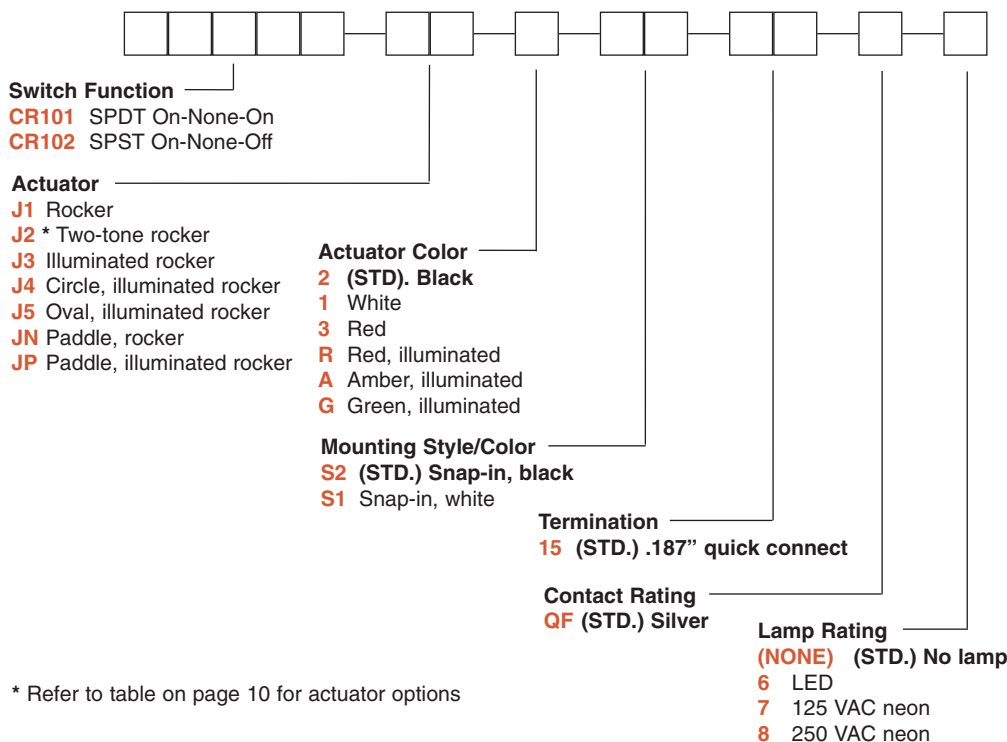
END CONTACTS: Silver plated $AgSnO_2InO_3$.

ALL TERMINALS: Silver plated, copper alloy.

NOTE: Specifications and materials listed above are for switches with standard options. For information on specific and custom switches, consult Customer Service Center.

Build-A-Switch

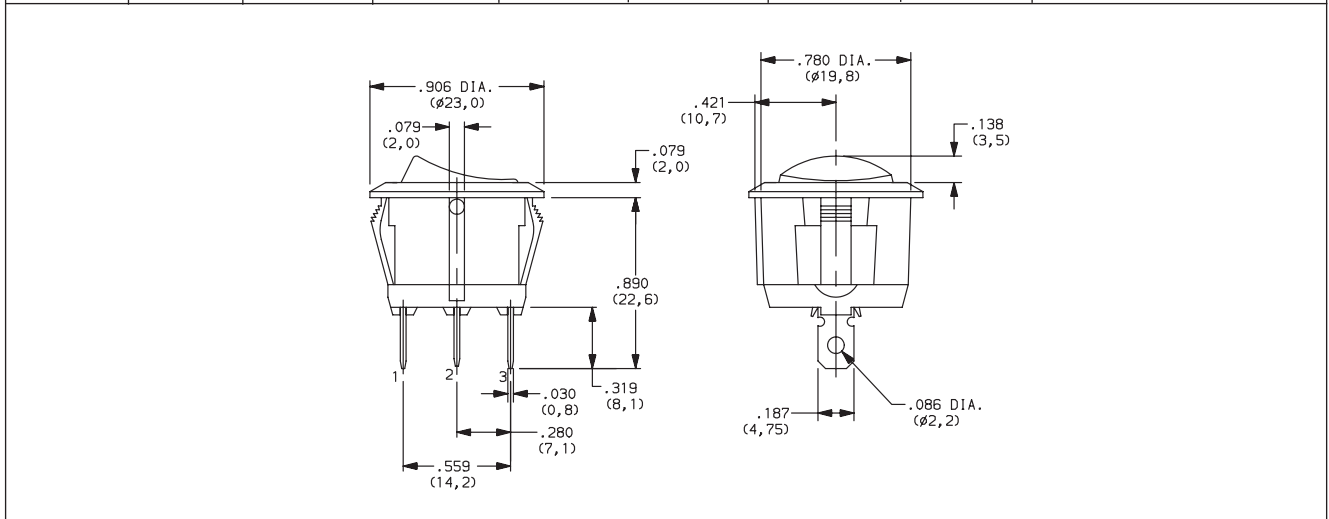
To order, simply select desired option from each category and place in the appropriate box. Available options are shown and described on pages 8 thru 10. For additional options not shown in catalog, consult Customer Service Center.



C&K CR Series Round Single Pole Specialty Rocker Switches

SWITCH FUNCTION

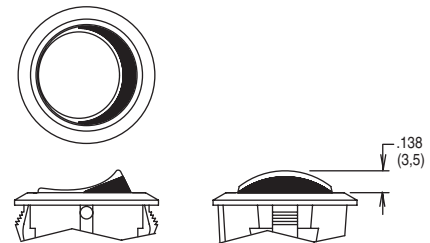
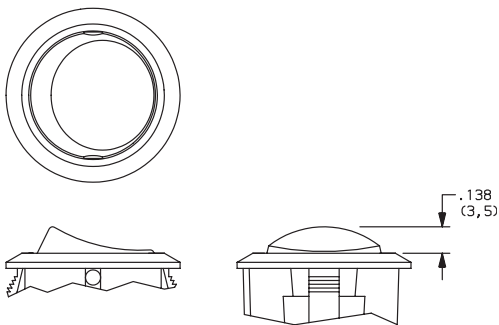
| NO. POLES | MODEL NO. | SWITCH FUNCTION | | | CONNECTED TERMINALS | | | SCHEMATIC |
|-----------|--------------|-----------------|------|-----|---------------------|-----|-----|-----------|
| | | | | | | | | |
| SP | CR101 | ON | NONE | ON | | | | |
| | CR102 | ON | NONE | OFF | 2-3 | N/A | 2-1 | |
| | | | | | | | | |



ACTUATOR

- J1** ROCKER
- J3** ILLUMINATED ROCKER

- J2** TWO-TONE ROCKER

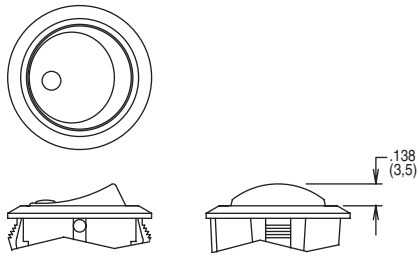


NOTE: J3 actuator available with 7 & 8 lamp ratings and CR102 switch function only.

C&K CR Series Round Single Pole Specialty Rocker Switches

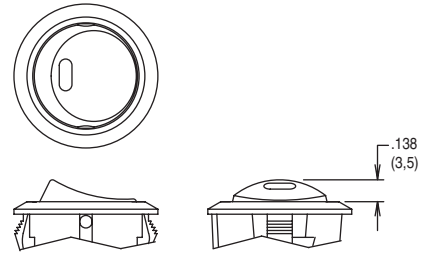
ACTUATOR

J4 CIRCLE, ILLUMINATED ROCKER



NOTE: Available with CR102 switch function and 7 & 8 lamp ratings only.

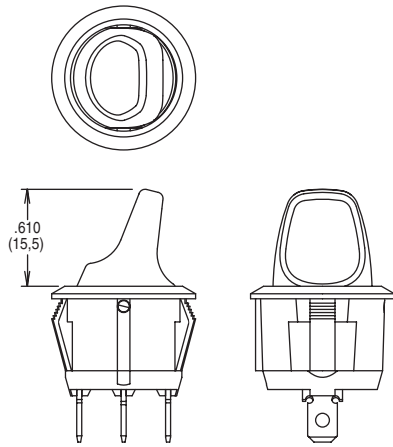
J5 OVAL, ILLUMINATED ROCKER



NOTE: Available with CR102 switch function and 6 lamp rating only.

JN PADDLE, ROCKER

JP PADDLE, ILLUMINATED ROCKER



NOTE: JP actuator available with CR102 switch function and 7 & 8 lamp ratings only.

ACTUATOR COLOR

| OPTION CODE | ACTUATOR COLOR |
|-------------|--------------------|
| 2 | (STD.) BLACK |
| 1 | WHITE |
| 3 | RED |
| R | RED, ILLUMINATED |
| A | AMBER, ILLUMINATED |
| G | GREEN, ILLUMINATED |

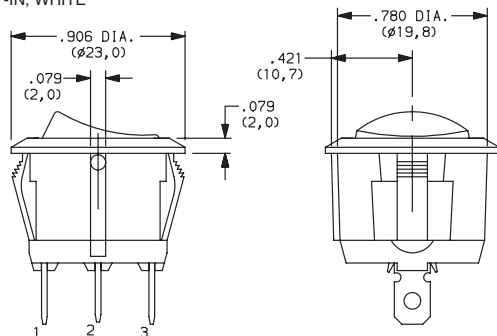
| OPTION CODE | ACTUATOR COLOR | |
|-------------|----------------|--------|
| | TOP | BOTTOM |
| 1 | WHITE | RED |
| 2 | WHITE | BLACK |
| 3 | RED | WHITE |
| 4 | BLACK | WHITE |
| 5 | BLACK | RED |

J2 actuator only

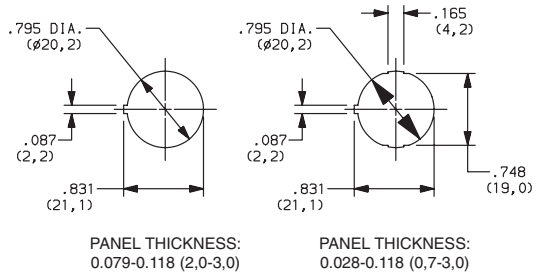
MOUNTING STYLE/COLOR

S2 (STD.) SNAP-IN, BLACK

S1 SNAP-IN, WHITE



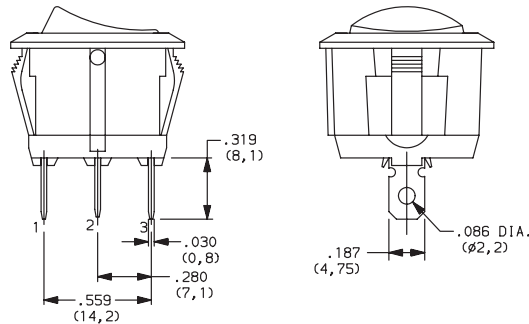
PANEL MOUNTING



C&K CR Series Round Single Pole Specialty Rocker Switches

TERMINATION

15 (STD.) .187" QUICK CONNECT



CONTACT MATERIAL

| OPTION CODE | CONTACT AND TERMINAL MATERIAL | RATINGS | |
|------------------|-------------------------------|---------|---|
| QF (STD.) | SILVER | POWER | 16 AMPS @ 125 VAC; 10 AMPS @ 250 VAC (UL US) 10 AMPS @ 125 VAC; 6 AMPS @ 250 VAC (VDE) μ T85 |

LAMP RATING

(NONE) (STD.) NO LAMP

6 LED RATING @ 10 mA $V_f=1.85V$

7 125 VAC 33kΩ NEON

8 250 VAC 150kΩ NEON

NOTE: Lamp rating for J3 actuator option.

ACCESSORIES

377C00000 IP65 SPLASH PROOF RUBBER BOOT

