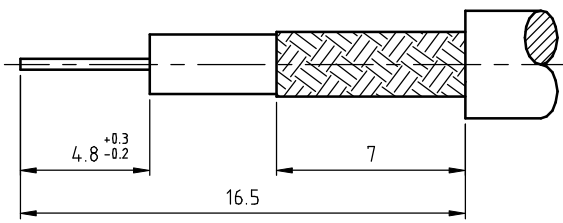
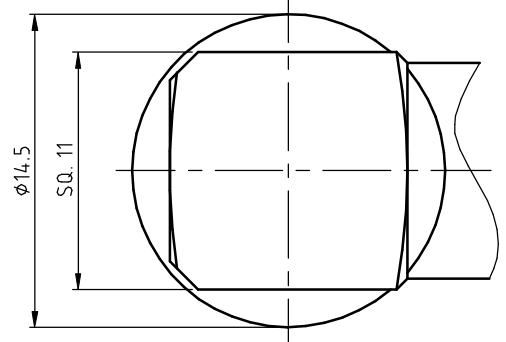
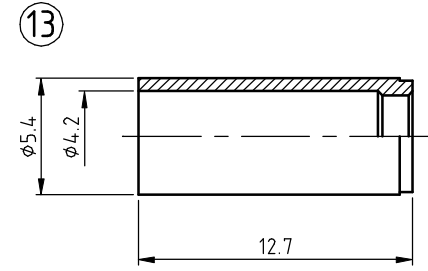
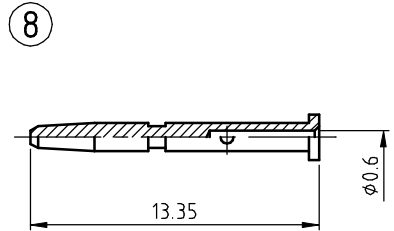
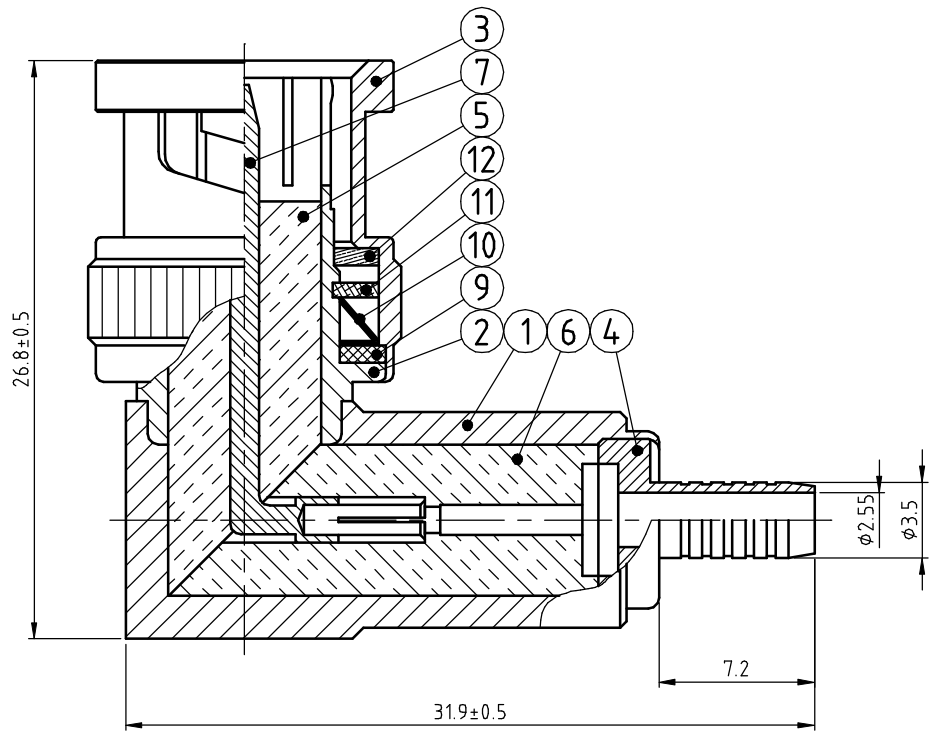


Cannon P/N	PACKAGE	REVISIONS			
		SYS	ECN No.	DESCRIPTION	DATE
167000-1410	SINGLE CONN.	<i>THIS IS CAD DRAWING, DOES NOT REVISE MANUAL !!</i>			
167000-1416	BULK PACK				
REFER DOC# PSG99330 FOR ASSEMBLY INSTRUCTION					

REF.	DESCRIPTION	MATERIAL	FINISH
1	MAIN BODY	BRASS	NICKEL
2	BODY	BRASS	NICKEL
3	SHELL	BRASS	NICKEL
4	CHASSIS	BRASS	NICKEL
5	INSULATOR	TEFLON	
6	INSULATOR	TEFLON	
7	CONTACT PIN	BERYLLIUM COPPER	GOLD
8	CONTACT PIN	BRASS	GOLD
9	WASHER	BRASS	NICKEL
10	SPRING	SK-5	NICKEL
11	WASHER	BRASS	NICKEL
12	GASKET	RUBBER	
13	FERRULE	BRASS	NICKEL



RECOMMENDED CABLE STRIPPING DIM'S

TOLERANCE m/m	DRAWN	DATE	PART NO.
.000 ±0.10	CHECKED <i>Rex Jang</i>	DATE 4/6/01	SEE TABLE
.00 ±0.15	APPROVED <i>Dixon Chen</i>	DATE 4/6/01	
.0 ±0.25	UNIT MM		ITT Cannon TITLE BNC CRIMP PLUG, 75-OHM FOR RG735 CABLE, R/A
0. ±0.5	SIZE A3 SCALE N.A.		
ANGLE ±1.0°	SHEET 1 OF 1		DRAWING NO. RFMW-PSG99300-00
UNLESS OTHERWISE SPECIFIED			REV A