

DESCRIPTION

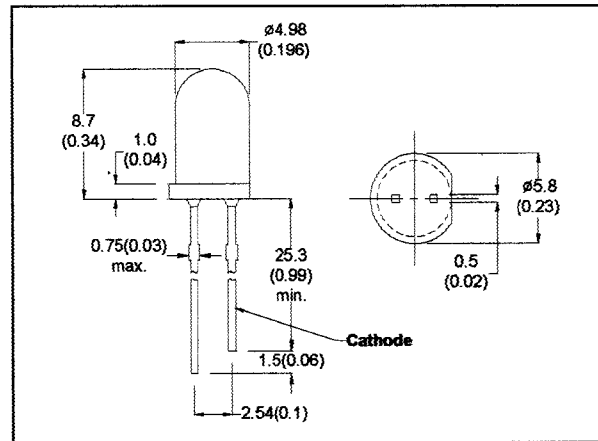
MSB51 Series are red LED lamp with 5mm diameter epoxy package.

MSB51C is red chip with red transparent lens.

MSB51D is red chip with red diffused lens.

MSB51T is red chip with clear transparent lens.

MSB51W is red chip with clear diffused lens.



- All Dimension in mm (inch)
- No Scale
- Tol : +/- 0.3mm

ABSOLUTE MAXIMUM RATINGS

Power Dissipation @ Ta=25°C	45mW
Forward Current, DC (IF)	15mA
Reverse Voltage	5V
Operating & Storage Temperature Range	-55 to +100°C
Lead Soldering Temperature (1/16" from body)	260°C for 5 sec.

ELECTRO-OPTICAL CHARACTERISTICS (Ta=25°C)

PARAMETER	SYMBOL	MSB51C	MSB51D	MSB51T	MSB51W	UNIT	CONDITIONS
Forward Voltage	MAX VF	3.0	3.0	3.0	3.0	V	IF=20mA
Reverse Breakdown Voltage	MIN BVR	5	5	5	5	V	IR=100 μA
Luminous Intensity	MIN IV	6.0	3.5	6.0	3.5	mcd	IF=10mA
	TYP	9.0	5.0	9.0	5.0	mcd	
Peak Wavelength	TYP λp	700	700	700	700	nm	IF=20mA
Spectral Line Half Width	TYP Δλ	100	100	100	100	nm	IF=20mA

MICRO ELECTRONICS LTD.

38, Hung To Road, Microtron Building, Kwun Tong, Kowloon, Hong Kong.
Kwun Tong P.O. Box 69477 Hong Kong. Fax No. 2341 0321 Telex:43510 Micro Hx. Tel: 2343 0181-5

Rev.A.

Page 1 of 2

Sep-99

MSB51D

