

**Smartphone Application Quad AFE designed for Infineon's
Octal 10BaseS 8 port Chipset PEB22824-PEB22825
APC77135**



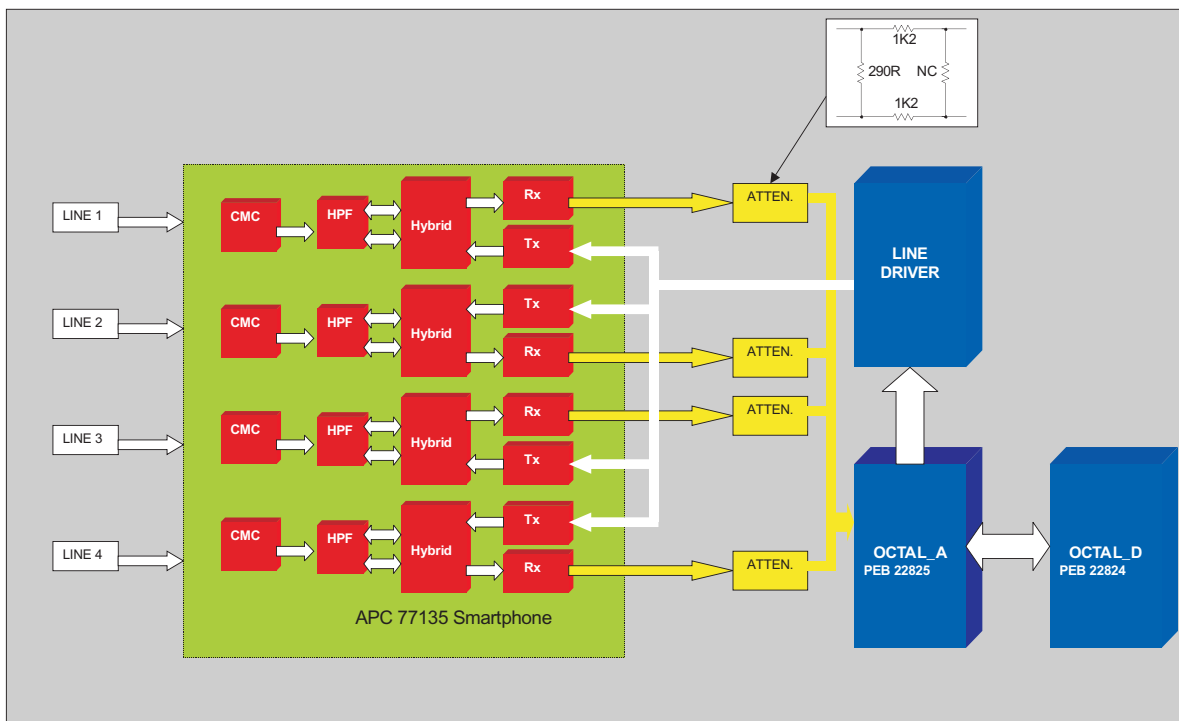
FEATURES

- Transhybrid Loss >15dBmin
- Incorporates xDSL choke >35dBmin
- Miniature footprint for increased Line-card density
- Provides 1500Vrms isolation voltage

ELECTRICAL SPECIFICATIONS@25°C

| Description | Passband Freq | Impedance |
|-------------|---------------|-----------|
| HPF | 900kHz-8MHz | 120 ohms |
| TX BPF | 900kHz-8MHz | 40 ohms |
| RX BPF | 4MHz-8MHz | 270 ohms |

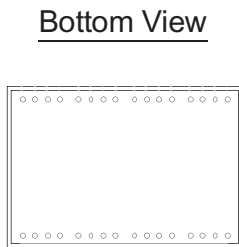
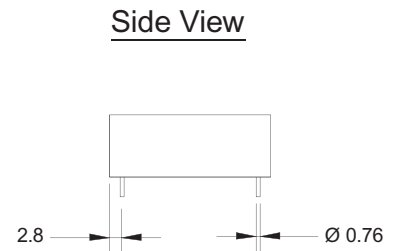
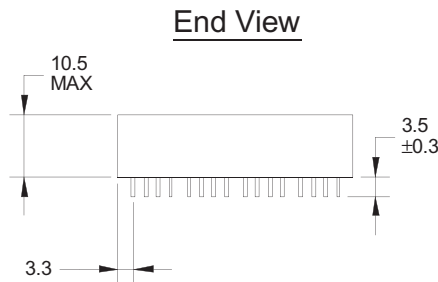
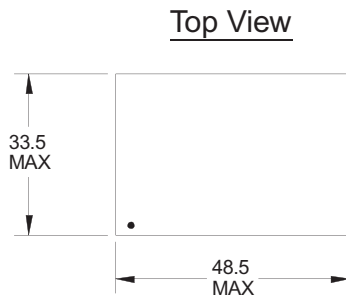
BLOCK DIAGRAM



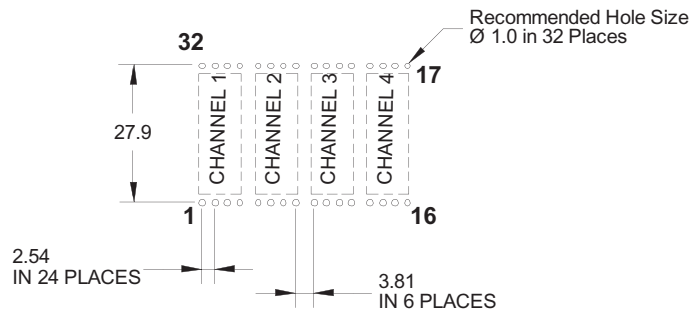


**Smartphone Application Quad AFE designed for Infineon's
Octal 10BaseS 8 port Chipset PEB22824-PEB22825
APC77135**

MECHANICAL



Recommended P.C.B Pad Layout



| Signal | Channel 1 | Channel 2 | Channel 3 | Channel 4 |
|--------|-----------|-----------|-----------|------------|
| Line + | Pin 2 | Pin 6 | Pin 10 | Pin 14 |
| Line - | Pin 3 | Pin 7 | Pin 11 | Pin 15 |
| Tx + | Pin 29 | Pin 27 | Pin 21 | Pin 19 |
| Tx - | Pin 30 | Pin 28 | Pin 22 | Pin 20 |
| Rx + | Pin 31 | Pin 25 | Pin 23 | Pin 17 |
| Rx - | Pin 32 | Pin 26 | Pin 24 | Pin 18 |
| N/C | Pin 1, 4 | Pin 5, 8 | Pin 9, 12 | Pin 13, 16 |

ALL DIMENSIONS IN MM.
TOLERANCE 0.15MM UNLESS OTHERWISE STATED.

©2003 Bel Fuse Inc. Specifications subject to change without notice. 05.20.03

CORPORATE

Bel Fuse Inc.
206 Van Vorst Street
Jersey City, NJ 07302
Tel 201-432-0463
Fax 201-432-9542
www.belfuse.com

FAR EAST

Bel Fuse Ltd.
8F / 8 Luk Hop Street
San Po Kong
Kowloon, Hong Kong
Tel 852-2328-5515
Fax 852-2352-3706
www.belfuse.com

EUROPE

Bel Stewart Connector
45/46 Riverside
Medway City Estate
Rochester, Kent ME2 4DP U.K.
Tel 44-1634-722890
Fax 44-1634-716677
www.belfuse.com