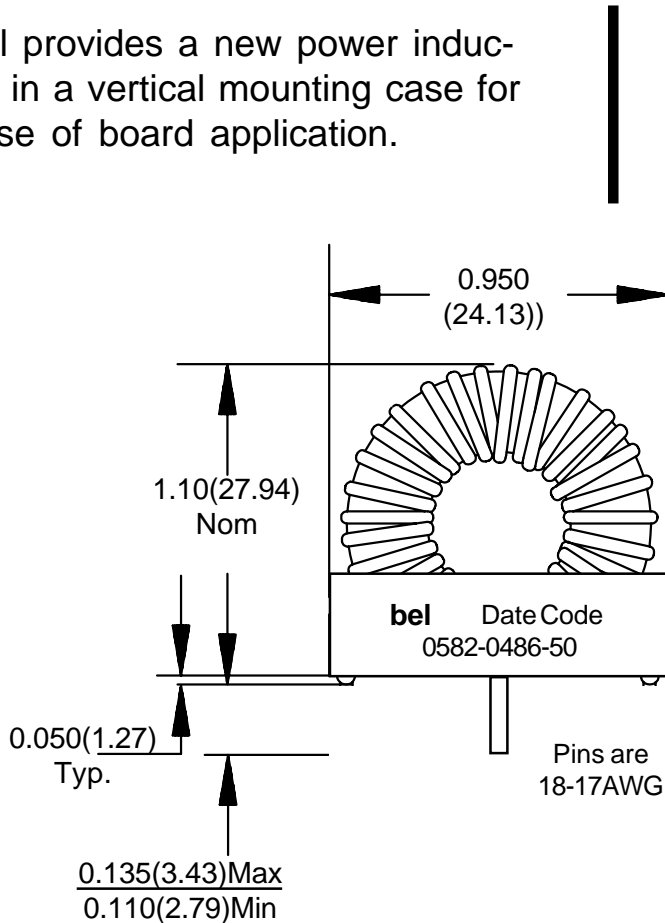


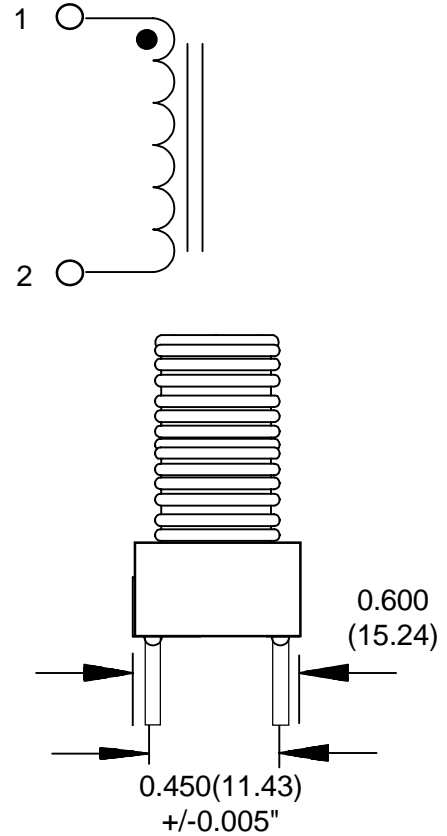
INDUCTOR 0582-0486-50

Bel provides a new power inductor in a vertical mounting case for ease of board application.

**M
E
C
H
A
N
I
C
A
L
S**



SCHEMATIC



Dimensions in inches (mm)
Dimension tolerance is +/- 0.01"

ELECTRICALS @ 25° C.

Part Number	Inductance		DCR Ω (Ohms) Max	I _{DC} (Amps)
	I _{DC} = 0 (μH) Min	@ I _{DC} (μH) Typ		
0582-0486-50	48.3	37.8	0.02	5.0

Corporate Office
Bel Fuse Inc.
 198 Van Vorst Street, Jersey City, NJ 07302-4496
 Tel: 201-432-0463
 Fax: 201-432-9542
 E-Mail: BelFuse@belfuse.com
 Internet: http://www.belfuse.com

Far East Office
Bel Fuse Ltd.
 8F/8 Luk Hop Street
 San Po Kong
 Kowloon, Hong Kong
 Tel: 852-2328-5515
 Fax: 852-2352-3706

European Office
Bel Fuse Europe Ltd.
 Preston Technology Management Centre
 Marsh Lane, Preston PR1 8UD
 Lancashire, U.K.
 Tel: 44-1772-556601
 Fax: 44-1772-888366