

5.00mm (0.196") PITCH CONNECTOR

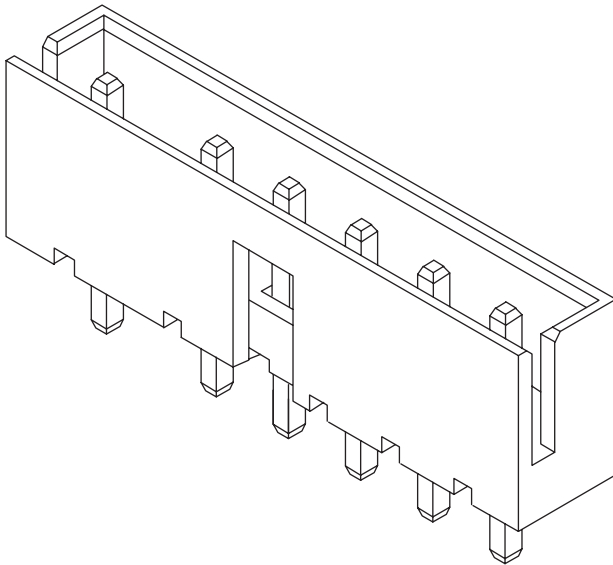


Wire-to-Board
Wafer

YPW500 Series

DIP

Straight



Material

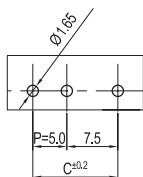
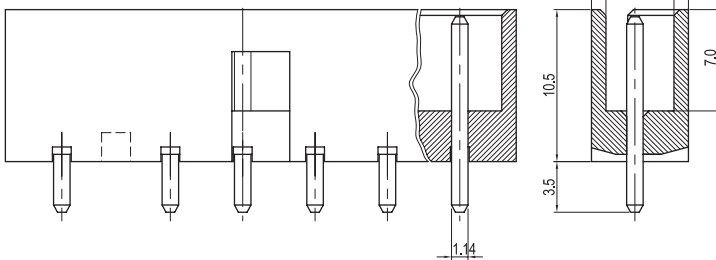
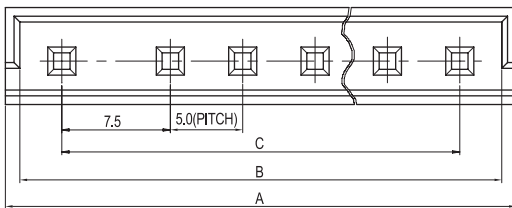
| I/NO | DESCRIPTION | TITLE | MATERIAL |
|------|-------------|--------|--------------------|
| 1 | WAFER | YPW500 | PA66, UL94 V Grade |
| 2 | PIN | | Brass & Tin-Plated |

Available Pin

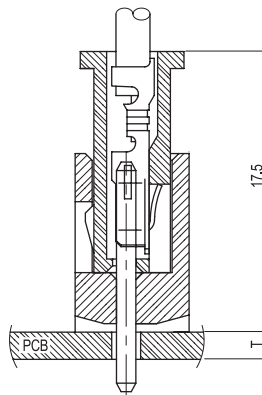
| PARTS NO. | DIM. A | DIM. B | DIM. C |
|------------|--------|--------|--------|
| YPW500-02P | 15.3 | 13.3 | 7.5 |
| YPW500-03P | 20.3 | 18.3 | 12.5 |
| YPW500-04P | 25.3 | 23.3 | 17.5 |
| YPW500-05P | 30.2 | 28.3 | 22.5 |
| YPW500-06P | 35.3 | 33.3 | 27.5 |

Specification

| ITEM | SPEC |
|------------------------|--------------|
| Voltage Rating | AC/DC 250V |
| Current Rating | AC/DC 5A |
| Operating Temperature | -25°C~+85°C |
| Contact Resistance | 30mΩ MAX |
| Withstanding Voltage | AC1500V/1min |
| Insulation Resistance | 1000MΩ MIN |
| Applicable Wire | - |
| Applicable P.C.B | 1.2~1.6mm |
| Applicable FPC/FFC | - |
| Solder Height | - |
| Crimp Tensile Strength | - |
| UL FILE NO | E108706 |



PCB LAYOUT



PCB ASS'Y