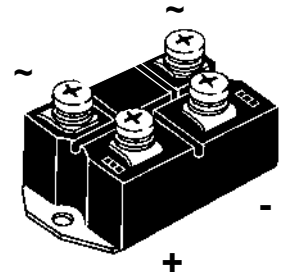
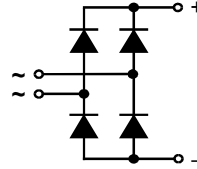


Single Phase Rectifier Bridge

$I_{dAV} = 174 \text{ A}$
 $V_{RRM} = 800-1800 \text{ V}$

V_{RSM} V	V_{RRM} V	Type
800	800	VBO 160-08NO7
1200	1200	VBO 160-12NO7
1400	1400	VBO 160-14NO7
1600	1600	VBO 160-16NO7
1800	1800	VBO 160-18NO7



Symbol	Test Conditions	Maximum Ratings	Features
I_{dAV}	$T_C = 100^\circ\text{C}$, module	174 A	<ul style="list-style-type: none"> Package with screw terminals Isolation voltage 3000 V~ Planar passivated chips Blocking voltage up to 1800 V Low forward voltage drop UL applied
I_{dAV}	$T_A = 35^\circ\text{C}$ ($R_{thCA} = 0.2 \text{ K/W}$), module	139 A	
I_{FSM}	$T_{VJ} = 45^\circ\text{C};$ $V_R = 0$	$t = 10 \text{ ms}$ (50 Hz), sine	2800 A
		$t = 8.3 \text{ ms}$ (60 Hz), sine	3300 A
I^2t	$T_{VJ} = T_{VJM}$ $V_R = 0$	$t = 10 \text{ ms}$ (50 Hz), sine	2500 A
		$t = 8.3 \text{ ms}$ (60 Hz), sine	2750 A
I^2t	$T_{VJ} = 45^\circ\text{C}$ $V_R = 0$	$t = 10 \text{ ms}$ (50 Hz), sine	39 200 A ² s
		$t = 8.3 \text{ ms}$ (60 Hz), sine	45 000 A ² s
I^2t	$T_{VJ} = T_{VJM}$ $V_R = 0$	$t = 10 \text{ ms}$ (50 Hz), sine	31 200 A ² s
		$t = 8.3 \text{ ms}$ (60 Hz), sine	31 300 A ² s
T_{VJ}		-40...+150	$^\circ\text{C}$
T_{VJM}		150	$^\circ\text{C}$
T_{stg}		-40...+125	$^\circ\text{C}$
V_{ISOL}	50/60 Hz, RMS $I_{ISOL} \leq 1 \text{ mA}$	$t = 1 \text{ min}$	2500 V~
		$t = 1 \text{ s}$	3000 V~
M_d	Mounting torque (M6) Terminal connection torque (M6)		$5 \pm 15 \%$ Nm
			$5 \pm 15 \%$ Nm
Weight	typ.	270	g

Features

- Package with screw terminals
- Isolation voltage 3000 V~
- Planar passivated chips
- Blocking voltage up to 1800 V
- Low forward voltage drop
- UL applied

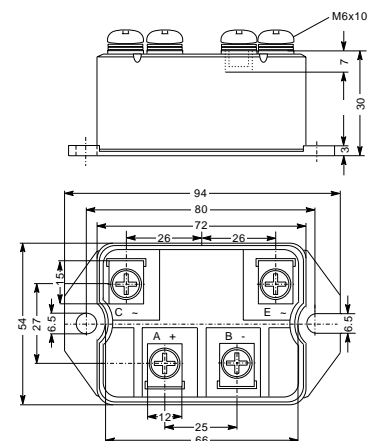
Applications

- Supplies for DC power equipment
- Input rectifiers for PWM inverter
- Battery DC power supplies
- Field supply for DC motors

Advantages

- Easy to mount with two screws
- Space and weight savings
- Improved temperature and power cycling

Dimensions in mm (1 mm = 0.0394")



Symbol	Test Conditions	Characteristic Values	
I_R	$V_R = V_{RRM}$ $V_R = V_{RRM}$	$T_{VJ} = 25^\circ\text{C}$	$\leq 0.3 \text{ mA}$
		$T_{VJ} = T_{VJM}$	$\leq 5 \text{ mA}$
V_F	$I_F = 300 \text{ A};$ $T_{VJ} = 25^\circ\text{C}$	$\leq 1.43 \text{ V}$	
V_{T0}	For power-loss calculations only	0.8 V	
r_T	$T_{VJ} = T_{VJM}$	2.2 m Ω	
R_{thJC}	per diode, 180 $^\circ$ per module		0.45 K/W
			0.11 K/W
R_{thJK}	per diode, 180 $^\circ$ per module		0.6 K/W
			0.15 K/W
d_s	Creeping distance on surface	10 mm	
d_A	Creepage distance in air	9.4 mm	
a	Max. allowable acceleration	50 m/s ²	

Data according to IEC 60747 refer to a single diode unless otherwise stated
 IXYS reserves the right to change limits, test conditions and dimensions.