

Ceramic Monoblock Duplex Filter



Model KFF6637A Technical Data

Features:

- Small Size
- High Performance
- SMD

Description and Applications:

This monoblock Duplexer filter is primarily designed for US PCS applications at 1850-1990 MHz.



Electrical Specifications

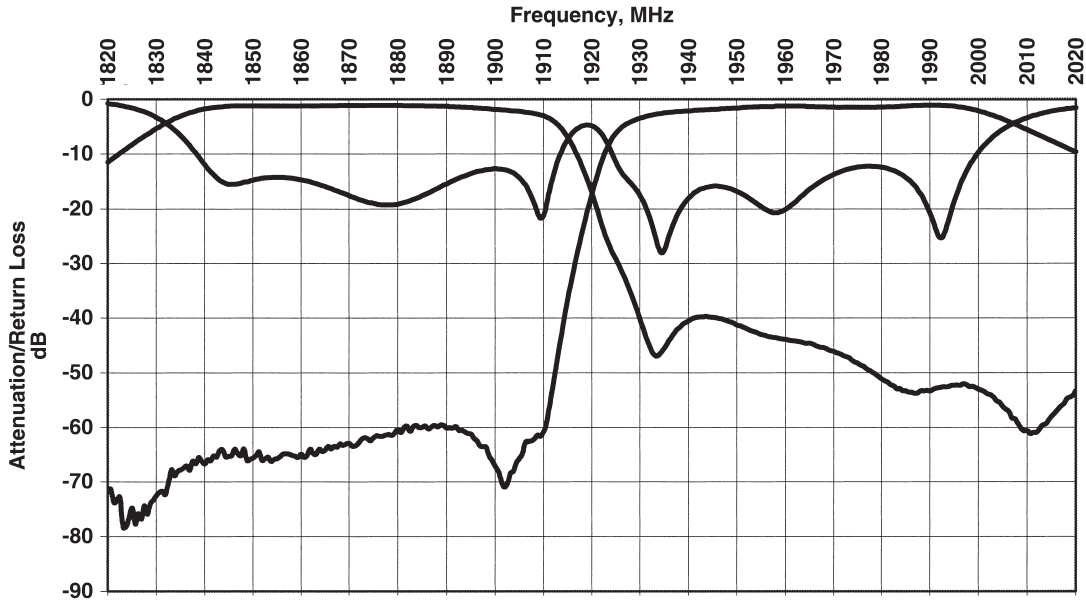
Antenna to TX Response	Frequency	Specifications @ 25° C
Insertion Loss	1850 MHz to 1910 MHz	3.6 dB max.
Return Loss		10.0 dB min.
Rejection @ RX Band	1930 MHz to 1990 MHz	37.0 dB min.
Rejection	1720 MHz to 1780 MHz	25.0 dB min.
Antenna to RX Response	Frequency	Specifications @ 25° C
Insertion Loss	1930 MHz to 1990 MHz	4.2 dB max.
Return Loss		10.0 dB min.
Rejection @ TX Band	1850 MHz to 1910 MHz	55.0 dB min.
TX to RX Response	Frequency	Specifications @ 25° C
Rejection @ RX Band	1930 MHz to 1990 MHz	39.0 dB min.
Rejection @ TX Band	1850 MHz to 1910 MHz	56.0 dB min.
Power Rating		3 W
Impedance		50 Ω

NOTE: Supplier shall test each filter to the critical electrical specifications listed above or better. Any subsequent audits may deviate due to measurement repeatability among different test systems. Such deviations shall not exceed the following limits:

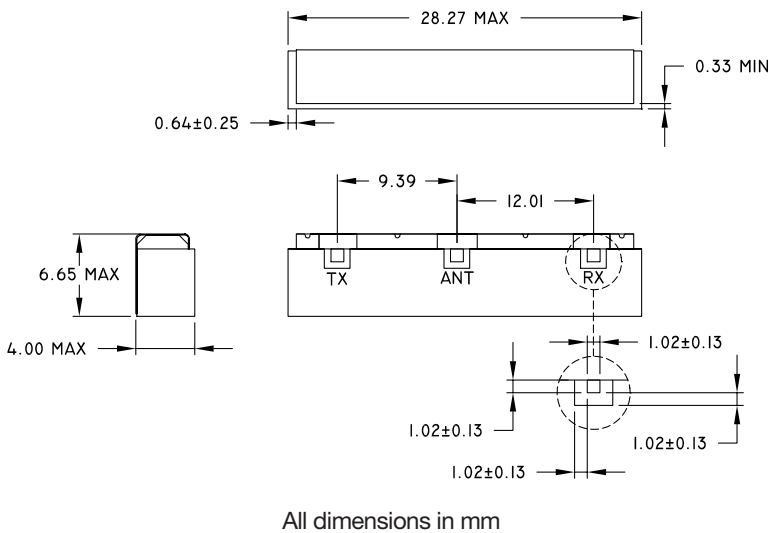
Specification	Typical Allowance
Insertion Loss	0.1 dB
Return Loss	1.0 dB
Stopbands	1.0 dB

Rev. 1

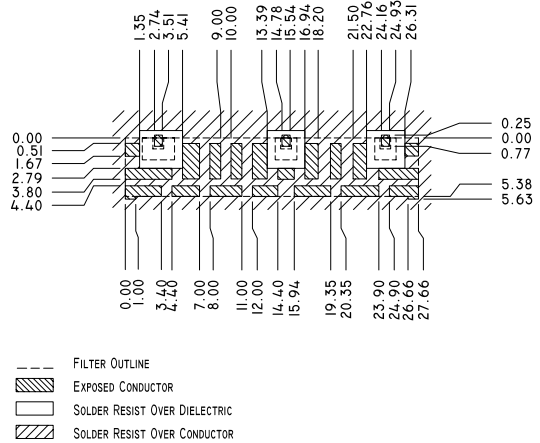
Typical Response Curve



Mechanical Dimensions

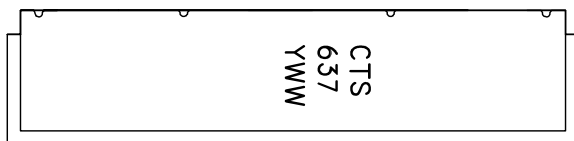


PC Board Layout



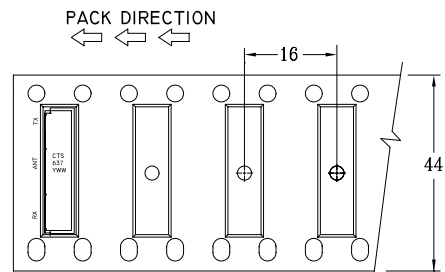
Part Marking

Y = LAST DIGIT OF YEAR
 WW = SEQUENTIAL WEEK NUMBER



Packaging

Reel Quantity: 500 pcs. max.
 Reel Weight: 4.5 lbs. max.



Contact Information:

CTS WIRELESS COMPONENTS, INC. / 171 Covington Drive / Bloomingdale, IL 60108
 PHONE: (800) 757-6686 / www.ctscorp.com

Document Control #6287079Y01 Rev 1

Date of Origin 04/18/01

Date of Revision 04/18/01

THIS DATA SHEET IS NOT AN OFFER FOR SALE AND SHALL NOT OBLIGATE CTS TO SELL THE PRODUCTS DESCRIBED HEREIN OR ANY OTHER PRODUCTS. CTS MAY, IN ITS SOLE DISCRETION, MODIFY OR DISCONTINUE THE SALE OF ITS PRODUCTS AT ANY TIME WITHOUT NOTICE. CTS MAKES NO WARRANTY, INCLUDING WARRANTIES OF MERCHANTABILITY OR FITNESS FOR A PARTICULAR PURPOSE, WITH RESPECT TO THE PRODUCTS REFERENCED OR INFORMATION PROVIDED HEREIN.

CTS® is a registered trademark of CTS Corporation.