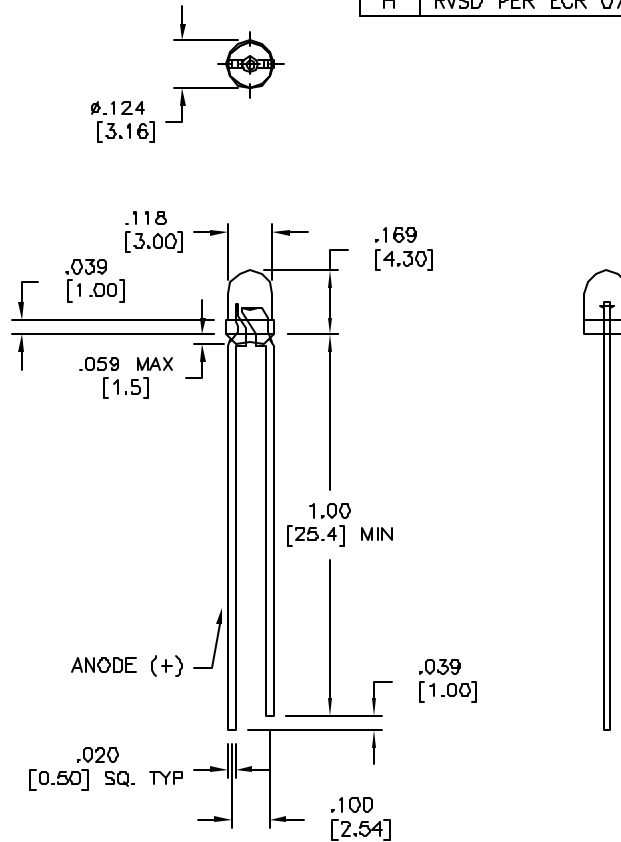


LTR	REVISION	DATE	APPD
C	RVSD PER ECR 051299-SA01	05-21-99	SA
D	RVSD PER ECR 092399-SA04	09-23-99	SA
E	RVSD PER ECR 111799-SA05	11-17-99	SA
F	RVSD PER ECR 102401-RM01	10-24-01	RM
G	RVSD PER ECR 062403-RM01	06-24-03	RM
H	RVSD PER ECR 070203-RM01	07-02-03	RM




NOTES:

1. ALL DIMS ARE IN INCHES (MILLIMETERS).
2. TOLERANCE IS $\pm 0.010"$ ($\pm 0.25\text{mm}$) UNLESS OTHERWISE SPECIFIED.
3. LEAD SPACING IS MEASURED WHERE LEADS EMERGE FROM THE PACKAGE.
4. LEADS TO BE SOLDERABLE AND CAPABLE OF MEETING THE SOLDERABILITY REQUIREMENTS OF MIL-STD-202, METHOD 208.
5. MANUFACTURE DATE SHALL NOT BE OLDER THAN 26 WEEKS (6 MONTHS).

LEDTRONICS PART NO.	L.E.D. RADIATION COLOR	L.E.D. APPEARANCE	ABSOLUTE MAXIMUM RATINGS ($T_a=25^\circ\text{C}$)					ELECTRO-OPTICAL CHARACTERISTICS ($T_a=25^\circ\text{C}$)						
			P_d mW	I_f mA	I_f mA	V_f V	T_{opr} ($^\circ\text{C}$)	I_f mA	I_v med typ	$V_f=V$ typ/max	VIEW ANGLE 2 θ 1/2	I_f max μA	$\Delta\lambda$ nm	λ_{Peak} nm
L120TR6N	ULTRA RED	DIFFUSED	60	150	30	5	-40 TO +85	20	150	1.7/2.6	45	100	20	660
L120TR5N	HI-EFF RED	DIFFUSED	100	150	30	5	-40 TO +85	20	32	2.0/2.6	50	100	45	635
L12T05N	ORANGE	DIFFUSED	100	150	30	5	-40 TO +85	20	14	2.0/2.6	50	100	35	610
L120TY5N	YELLOW	DIFFUSED	100	150	30	5	-40 TO +85	20	24	2.1/2.6	50	100	35	585
L120TG6N	HI-EFF GREEN	DIFFUSED	100	150	30	5	-40 TO +85	20	35	2.2/2.6	50	100	30	568
L120TG5N	HI-EFF GREEN	DIFFUSED	100	150	30	5	-40 TO +85	20	12	2.2/2.6	50	100	30	568
L120TPG5N	PURE GREEN	DIFFUSED	100	150	30	5	-40 TO +85	20	10	2.2/2.6	45	100	25	555

T_{stg} : -40°C TO +100°C
 LEAD SOLDERING TEMP: [1.6mm (.063in) FROM BODY] 260°C FOR 5 SEC.

 <p>23105 KASHIWA COURT TORRANCE, CA 90505</p>	<p>PROPRIETARY. This document contains Proprietary Information of LEDTRONICS, INC. It may not be copied, used or disclosed for any purpose without the prior express written consent of LEDTRONICS, INC.</p>	TITLE L120TXXN			
	<p>JXX ± .010 TOLERANCE PER ANSI-Y14.5 .XX ± .025 (UNLESS OTHERWISE STATED) ANGLES ± 0°.30° FRACT. ± 1/32</p>	DWG NO DSDD0004	SCALE 2:1	SHEET 1 OF 1	DATE 01-20-97
	<p>CODE IDENT NO. 8Z410</p>	DWG BY SMA	CHK BY PL 07-07-03	QA	MFG