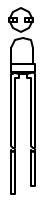
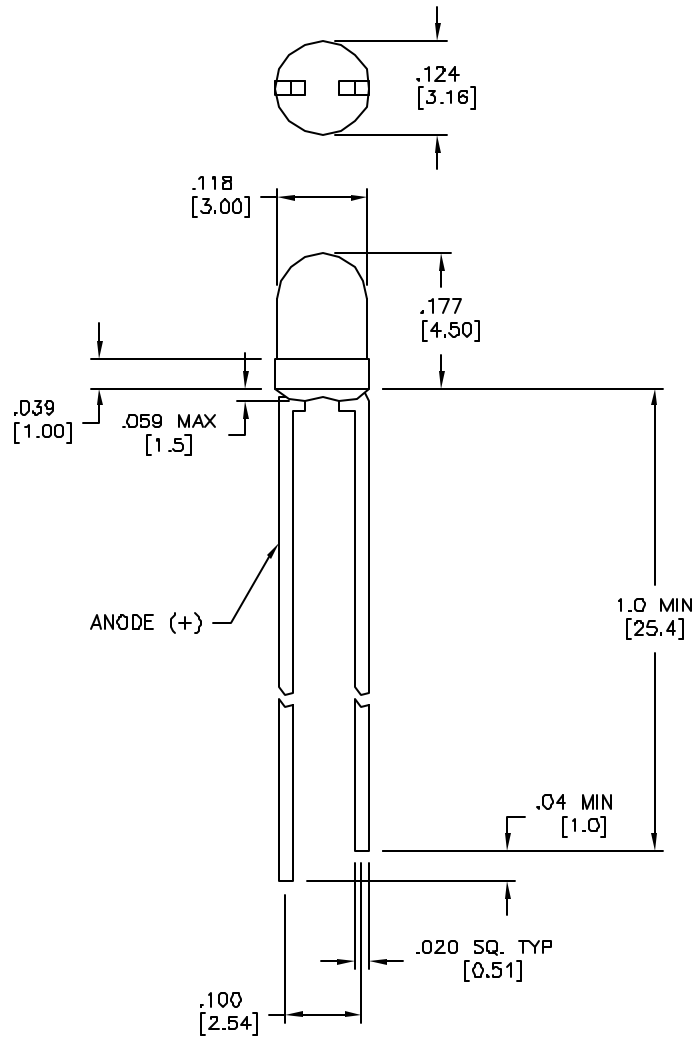


LTR	REVISION	DATE	APPD
-	RELEASE	10-24-01	



$.087^{+.000}_{-.008}$
 $2.20^{+0.00}_{-0.15}$

LED MUST USE K LEAD FRAME



NOTES:

1. ALL DIMS ARE IN INCHES (MILLIMETERS).
2. TOLERANCE IS ± 0.010 " (± 0.25 mm) UNLESS OTHERWISE SPECIFIED.
3. LEAD SPACING IS MEASURED .100 FROM BODY.
4. LEADS TO BE SOLDERABLE AND CAPABLE OF MEETING THE SOLDERABILITY REQUIREMENTS OF MIL-STD-202, METHOD 208.
5. MANUFACTURE DATE SHALL NOT BE OLDER THAN 26 WEEKS (6 MONTHS).
6. PART MUST MEET CHIP AND LEAD REQUIREMENTS DEFINED IN DWG QA0007

LEDTRONICS PART NO.	L.E.D. RADIATION COLOR	L.E.D. APPEARANCE	ABSOLUTE MAXIMUM RATINGS ($T_a=25^\circ\text{C}$)				ELECTRO-OPTICAL CHARACTERISTICS ($T_a=25^\circ\text{C}$)						
			Pd mW	If mA	Vr V	Topr ($^\circ\text{C}$)	If mA	Iv mod typ	Vf=V typ/max	VIEW ANGLE 201/2	Ir max μA	$\Delta\lambda$ nm	λ_{Peak} nm
L120TR5N-LC	HI-EFF RED	RED DIFFUSED	15	7	5	-40 TO +85	2	2.2	1.8/2.2	45	100	45	635
L120TY5N-LC	YELLOW	YELLOW DIFFUSED	15	7	5	-40 TO +85	2	3.5	1.8/2.2	45	100	35	585
L120TG5N-LC	HI-EFF GREEN	GREEN DIFFUSED	10	5	5	-40 TO +85	2	9.0	1.8/2.2	45	100	30	568

Testg: -40°C TO $+100^\circ\text{C}$
 LEAD SOLDERING TEMP: [1.6mm (.063in) FROM BODY] 260°C FOR 5 SEC.

 LEDTRONICS, INC. 23105 KASHIWA COURT TORRANCE, CA 90505	PROPRIETARY. This document contains Proprietary Information of LEDTRONICS, INC. It may not be copied, used or disclosed for any purpose without the prior express written consent of LEDTRONICS, INC.	TITLE L120TX5N-LC			
	.XXX $\pm .010$ TOLERANCE PER ANSI-Y14.5 .XX $\pm .025$ (UNLESS OTHERWISE STATED) ANGLES $\pm 0^\circ, 30^\circ$ FRACT. $\pm 1/32$	DWG NO DSDD0136	SCALE 4:1	SHEET 1 OF 1	DATE 10-24-01
	CODE IDENT NO. 8Z410	DWG BY RM	CHK BY PL 10-24-01	QA	MNFG CUSTOMER