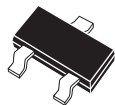


CMPT992
 CMPT992P
 CMPT992F
 CMPT992E

PNP SILICON
 LOW NOISE TRANSISTOR



SOT-23 CASE

CentralTM
 Semiconductor Corp.

DESCRIPTION:

The CENTRAL SEMICONDUCTOR CMPT992 types are PNP silicon low noise transistors manufactured by the epitaxial planar process, epoxy molded in a surface mount package, designed for low noise amplifier applications where a high BV_{CEO} is required.

MARKING CODE: PLEASE SEE MARKING CODE TABLE ON FOLLOWING PAGE.

MAXIMUM RATINGS: ($T_A=25^\circ\text{C}$)

	SYMBOL		UNITS
Collector-Base Voltage	V_{CBO}	110	V
Collector-Emitter Voltage	V_{CEO}	110	V
Emitter-Base Voltage	V_{EBO}	5.0	V
Continuous Collector Current	I_C	50	mA
Power Dissipation	P_D	350	mW
Operating and Storage			
Junction Temperature	T_J, T_{stg}	-65 to +150	$^\circ\text{C}$
Thermal Resistance	θ_{JA}	357	$^\circ\text{C/W}$

ELECTRICAL CHARACTERISTICS: ($T_A=25^\circ\text{C}$ unless otherwise noted)

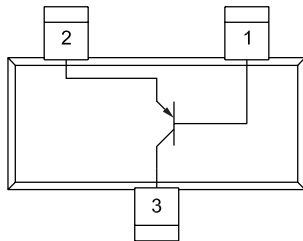
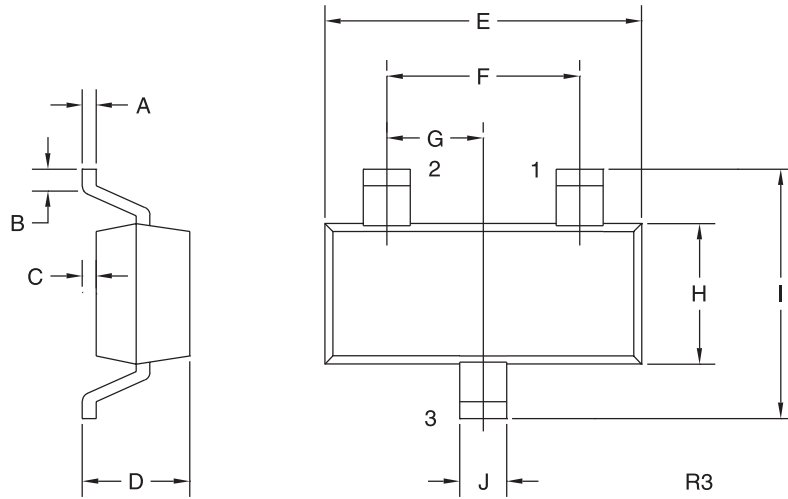
SYMBOL	TEST CONDITIONS	MIN	MAX	UNITS
I_{EBO}	$V_{EB}=5.0\text{V}$		30	nA
BV_{CBO}	$I_C=100\mu\text{A}$	110		V
BV_{CEO}	$I_C=1.0\text{mA}$	110		V
BV_{EBO}	$I_E=10\mu\text{A}$	5.0		V
$V_{CE(SAT)}$	$I_C=10\text{mA}, I_B=1.0\text{mA}$		0.30	V
$V_{BE(ON)}$	$V_{CE}=6.0\text{V}, I_C=1.0\text{mA}$	0.55	0.65	V
f_T	$V_{CE}=6.0\text{V}, I_C=1.0\text{mA}$	50		MHz
C_{ob}	$V_{CB}=30\text{V}, I_E=0, f=1.0\text{MHz}$		3.0	pF
NF	$V_{CE}=5.0\text{V}, I_C=100\mu\text{A}, R_S=10\text{k}\Omega$ $f=10\text{Hz to } 15.7\text{KHz}$		3.0	dB

		CMPT992		CMPT992P		CMPT992F		CMPT992E	
		MIN	MAX	MIN	MAX	MIN	MAX	MIN	MAX
h_{FE}	$V_{CE}=6.0\text{V}, I_C=100\mu\text{A}$	150	-	150	-	150	-	150	-
h_{FE}	$V_{CE}=6.0\text{V}, I_C=1.0\text{mA}$	200	800	200	400	300	600	400	800

R1 (13-April 2004)

PNP SILICON
LOW NOISE TRANSISTOR

SOT-23 CASE - MECHANICAL OUTLINE



LEAD CODE:
1) BASE
2) EMITTER
3) COLLECTOR

SYMBOL	INCHES		MILLIMETERS	
	MIN	MAX	MIN	MAX
A	0.003	0.007	0.08	0.18
B	0.006	-	0.15	-
C	-	0.005	-	0.13
D	0.035	0.043	0.89	1.09
E	0.110	0.120	2.80	3.05
F	0.075		1.90	
G	0.037		0.95	
H	0.047	0.055	1.19	1.40
I	0.083	0.098	2.10	2.49
J	0.014	0.020	0.35	0.50

SOT-23 (REV: R3)

DEVICE	MARKING CODE
CMPT992	C992
CMPT992P	C992P
CMPT992F	C992F
CMPT992E	C992E