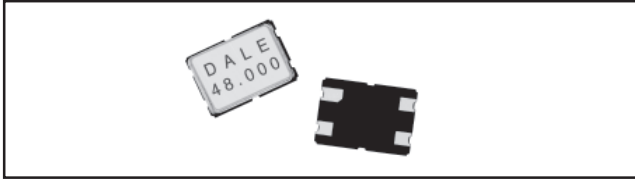




Quartz Crystals

Surface Mount 9.8304MHz to 84.0MHz



FEATURES

- Miniature package.
- Economical cost.

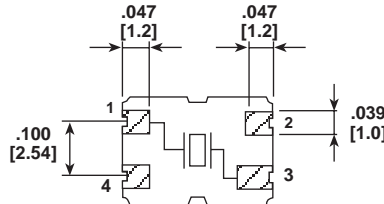
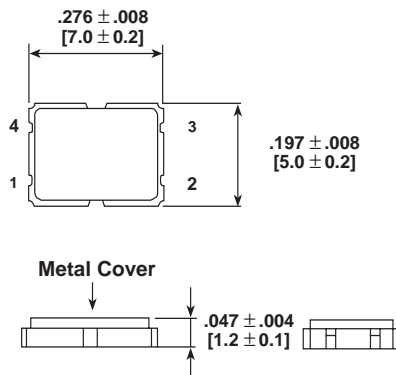
EQUIVALENT SERIES RESISTANCE

FREQUENCY RANGE (MHz)	MODE OF VIBRATION	ESR MAX. (Ohms)
9.8304 - 16.0	Fundamental	60
16.001 - 40.0	Fundamental	40
40.001 - 84.0	3rd Overtone	60

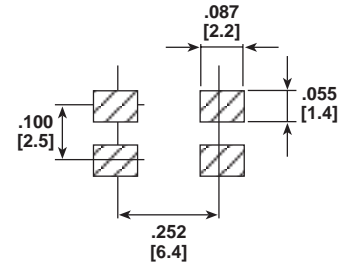
STANDARD SPECIFICATIONS

Operating Temperature Range: - 10°C to + 60°C.
Frequency Range: 9.8304MHz to 84.0MHz.
Frequency Tolerance: ± 30PPM @ + 25°C (typical).
Temperature Stability: ± 30PPM (typical).
Storage Temperature: - 40°C to + 85°C.
Load: 12 to 32pF or series resonant.
Drive Level: 0.1mW maximum.
Shunt Capacitance: 7pF maximum.
Tape and Reel: 1000 pieces.

DIMENSIONAL CONFIGURATIONS [Numbers in brackets indicate millimeters]



Recommended Solder Pad Layout



HOW TO ORDER

XT57C
MODEL

- 20
LOAD

25M
FREQUENCY/MHz

Blank = Series
 - 20 = 20pF Standard
 - 32 = 32pF
 - 16 = 16pF