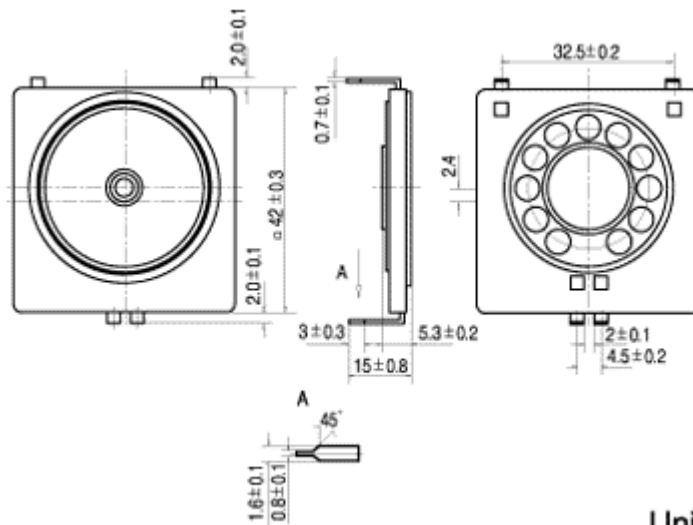




Type	BMS-4208H
Rated Impedance(Ω)	8 \pm 15%
Rated(Max.) Power(W)	0.25(0.5)
Resonant Frequency(Hz)	500 \pm 20%
Rated Freq.Range(Hz)	f ₀ ~5000
Sound Pressure Level(dB)	83 \pm 3
Magnet(g)	1.1
Operating Temperature($^{\circ}$ C)	-40~+85



Unit:mm

