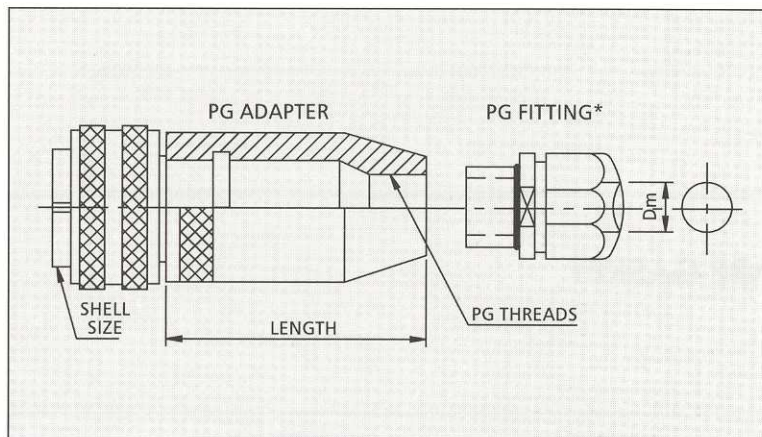
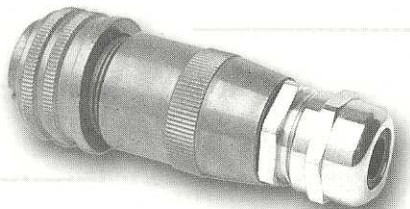


ACCESSORIES



PG - ADAPTER FOR MS CIRCULAR CONNECTORS



SHELL SIZE	PG-ADAPTER ORDER P/N	PG THREAD	Dm Ref	LENGTH
10SL	AEC 06 10SL-P9	9	6,5-9,5	28
14S	AEC 06 14S-P11	11	7,0-10,5	30
16S	AEC 06 16S-P11	11	7,0-10,5	30
16	AEC 06 16-P11	11	7,0-10,5	30
18	AEC 06 18-P11	11	7,0-10,5	37
18	AEC 06 18-P16	16	11,5-15,5	37
18	AEC 06 18-P21	21	17,0-20,5	41
20	AEC 06 20-P11	11	7,0-10,5	40
20	AEC 06 20-P16	16	11,5-15,5	40
20	AEC 06 20-P21	21	17,0-20,5	40
22	AEC 06 22-P16	16	11,5-15,5	40
22	AEC 06 22-P21	21	17,0-20,0	40
24	AEC 06 24-P21*	21	17,0-20,5	40
24	AEC 06 24-P29*	29	24,0-28,0	40
28	AEC 06 28-P21*	21	17,0-20,5	45
28	AEC 06 28-P29	29	24,0-28,0	45

* CONSULT FACTORY

DIMENSIONS ARE IN mm

MS 3106F20-17P-ADP P16+G = Connector with Adapter including Hex PG Fitting
 MS 3106F20-17P-ADP P16 = Connector with Adapter without Hex PG Fitting

PG - ADAPTER FOR MS CIRCULAR CONNECTORS



SHELL SIZE	PG-ADAPTER ORDER P/N	PG THREAD	Dm Ref	LENGTH
------------	----------------------	-----------	--------	--------