

# .050" Mini D Ribbon (MDR) Connectors

IDC Wiremount Plug — Shielded

101XX-6000EC Series



- IDC wiremount shielded I/O plug connector
- MDR-digital LCD interface — 20 and 26 position
- IEEE 1284 interface — 36 position
- Ribbon type contact — industry preferred
- Reliable repetitive plugging/unplugging
- Accepts a wide variety of cable types including round, twisted pair, twinax, and flat cable
- Available with a variety of shielded junction shells
- Positions 14, 20, 26, 36, 40, 68, 80 and 100

Date Modified: February 19, 1999

TS-0423-07  
Shee1 of 3

89

---

## Physical

### Insulation

Material: Glass Reinforced Polyester (PBT)  
Flammability: UL 94V-0  
Color: Black

### Contact

Material: Beryllium Copper (C172)  
Plating  
Underplate: 80  $\mu$ " (2.0  $\mu$ m) Nickel — QQ-N-290, Class 2  
Wiping Area: 30  $\mu$ " (0.76  $\mu$ m) Min Gold — MIL-G-45204, Type II, Grade C

### Shroud

Material: Steel  
Plating: Nickel

**Wire Accommodation:** 28 AWG Stranded, 30 AWG Solid

**Marking:** 3M Logo & Part Number

---

## Electrical

**Current Rating:** 1 A

**Insulation Resistance:**  $> 5 \times 10^8 \Omega$  at 500 VDC

**Withstanding Voltage:** 500 VRMS for 1 Minute

---

## Environmental

**Temperature Rating:**  $-20^\circ\text{C}$  to  $+85^\circ\text{C}$

UL File No.: E68080

---

### 3M Interconnect Solutions Division

6801 River Place Blvd.  
Austin, TX 78726-9000

For technical, sales or ordering information call  
**800-225-5373**

# .050" Mini D Ribbon (MDR) Connectors

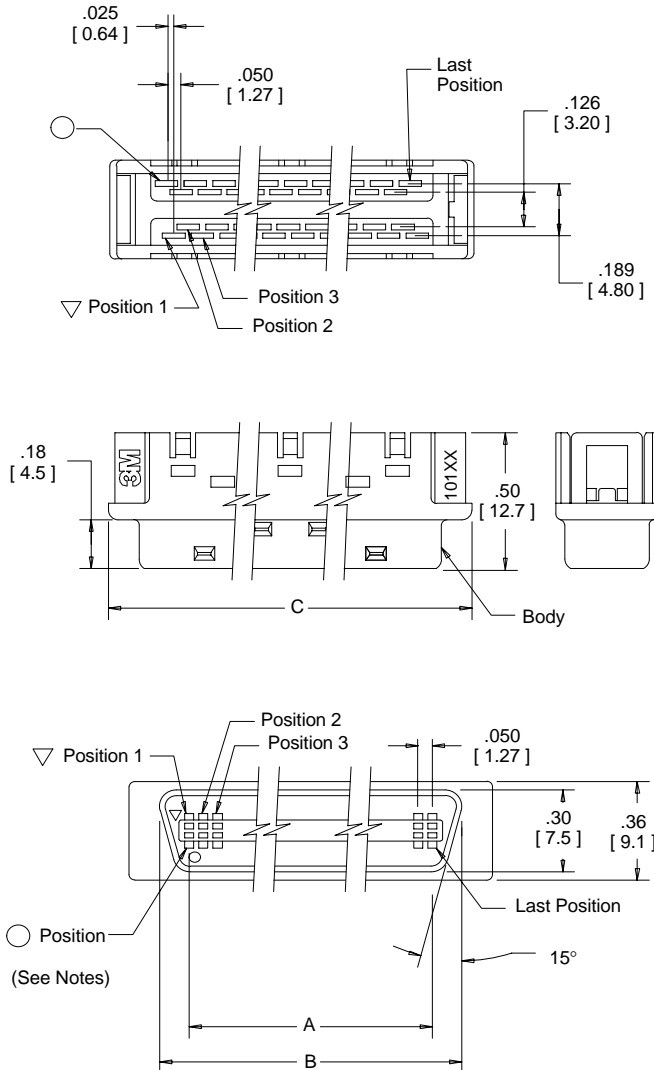
## IDC Wiremount Plug — Shielded

101XX-6000EC Series

Contact Quantity	Dimensions			
	A	B	C	D
14	.300 [ 7.62 ]	.54 [ 13.8 ]	.72 [ 18.2 ]	.58 [ 14.7 ]
26	.600 [ 15.24 ]	.84 [ 21.4 ]	1.02 [ 25.8 ]	.88 [ 22.4 ]
50	1.200 [ 30.48 ]	1.44 [ 36.6 ]	1.62 [ 41.1 ]	1.48 [ 37.6 ]

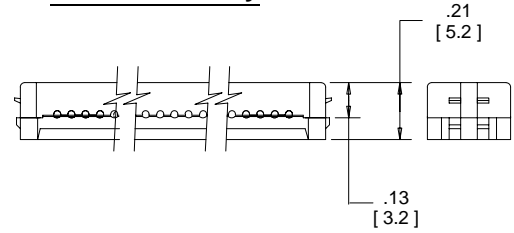


### Body (14, 26 and 50 positions)

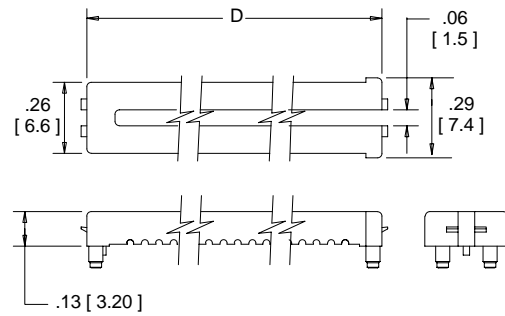


- Notes:
1. Circle (○) position indicates #1 position in cable, when utilizing 0.025" pitch flat cable.
  2. Triangle (▽) position indicates #2 position in cable, when utilizing 0.025" pitch flat cable.

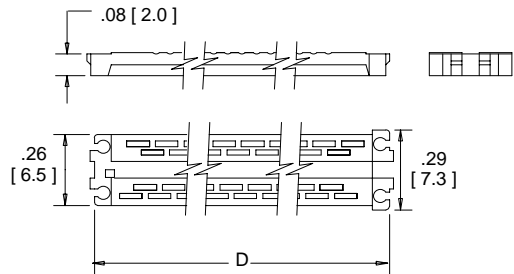
### Cover Assembly



### Cover 1



### Cover 2



Inch  
[mm]

Tolerance Unless Noted			
	.0	.00	.000
Inch	± .1	± .01	± .005

[ ] Dimensions for Reference only

## Ordering Information

101XX-6000EC

Contact Quantity  
(See Table)

(see page 3 for  
other sizes)

TS-0423-07  
Sheet 2 of 3

## 3M Interconnect Solutions Division

6801 River Place Blvd.  
Austin, TX 78726-9000

For technical, sales or ordering information call  
**800-225-5373**

# .050" Mini D Ribbon (MDR) Connectors

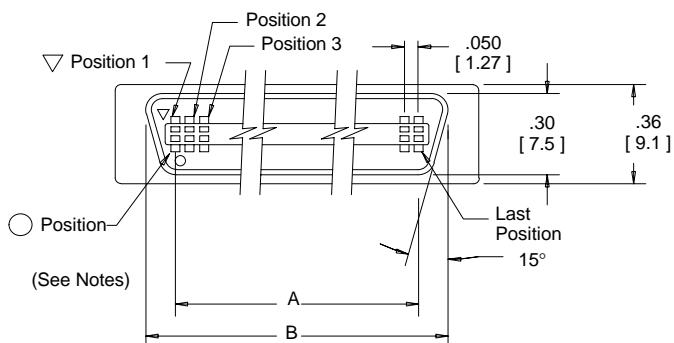
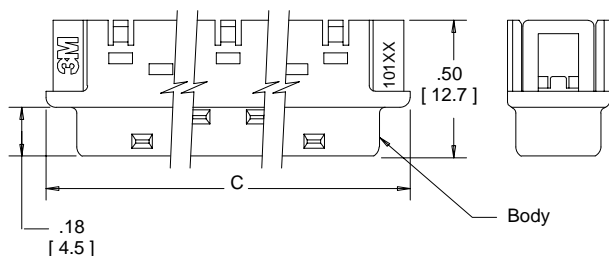
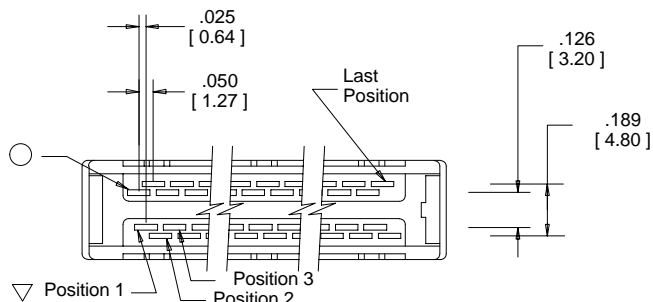
## IDC Wiremount Plug — Shielded

101XX-6000EC Series



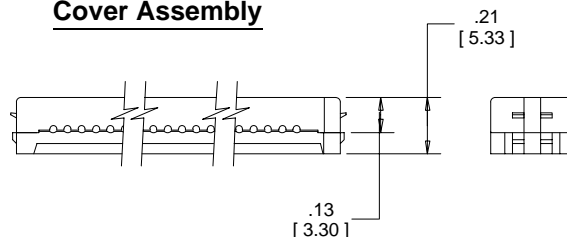
Contact Quantity	Dimensions			
	A	B	C	D
20	.450 [ 11.43 ]	.69 [ 17.6 ]	.87 [ 22.0 ]	.73 [ 18.6 ]
36	.850 [ 21.59 ]	1.09 [ 27.8 ]	1.27 [ 32.2 ]	1.13 [ 28.7 ]
40	.950 [ 24.13 ]	1.19 [ 30.3 ]	1.37 [ 34.7 ]	1.23 [ 31.3 ]
68	1.650 [ 41.91 ]	1.89 [ 48.1 ]	2.07 [ 52.5 ]	1.93 [ 49.0 ]
80	1.950 [ 49.53 ]	2.19 [ 54.8 ]	2.37 [ 60.1 ]	2.23 [ 56.7 ]
100	2.450 [ 62.23 ]	2.69 [ 67.5 ]	2.87 [ 72.8 ]	2.73 [ 69.4 ]

### Body (20, 36, 40, 68, 80 and 100 positions)

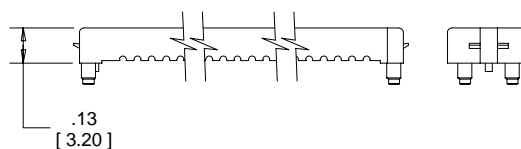
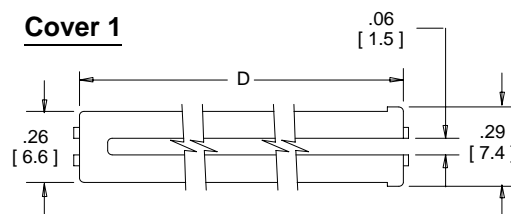


- Notes:
- Circle (○) position indicates #1 position in cable, when utilizing 0.025" pitch flat cable.
  - Triangle (▽) position indicates #2 position in cable, when utilizing 0.025" pitch flat cable.

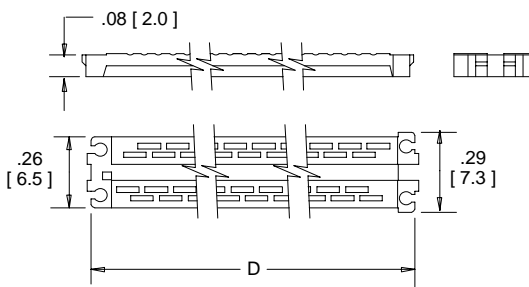
### Cover Assembly



### Cover 1



### Cover 2



Inch  
[mm]

Tolerance Unless Noted			
	.0	.00	.000
Inch	±.1	±.01	±.005

[ ] Dimensions for Reference only

### Ordering Information

**101XX-6000EC**

Contact Quantity  
(See Table)

Note: 100 pos = A0

TS-0423-07  
Sheet 3 of 3

### 3M Interconnect Solutions Division

6801 River Place Blvd.  
Austin, TX 78726-9000

For technical, sales or ordering information call  
**800-225-5373**