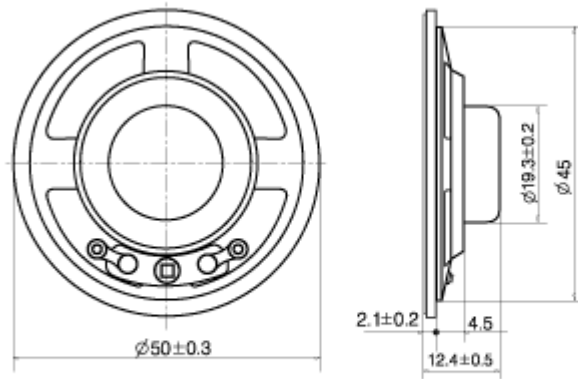




Type	BLS50-11B
Rated Impedance(Ω)	25 \pm 15%
Rated(Max.) Power(W)	0.25(0.4)
Resonant Frequency(Hz)	550 \pm 20%
Rated Freq.Range(Hz)	f ₀ ~4000
Sound Pressure Level(dB)	83 \pm 3
Magnet(g)	1.8
Operating Temperature($^{\circ}$ C)	-10~+40



Unit:mm

