

LINEAR INTEGRATED CIRCUIT

SYNCHRONOUS DEMODULATOR AND RGB MATRIX FOR COLOUR TV WITH ON SCREEN DISPLAY FACILITY

The TDA 2161 is a monolithic integrated circuit for demodulating and matrixing chroma signals. It is used for RGB cathode driving of colour pictures tubes and is directly coupled to the video output stages. The TDA 2161 is encapsulated in a 16-lead dual in-line plastic package and its main features are:

- High stability of DC output voltages ensured by applying heavy feedback from the output stages
- Large bandwidth
- Tight thermal coupling between the three channels
- Low subcarrier leakage due to integrated active filters
- Large black level adjustment range
- Large dynamic swing of the output signals
- High electrical stability of RGB amplifiers assured by internal frequency compensations
- Box blanking for characters display on screen.

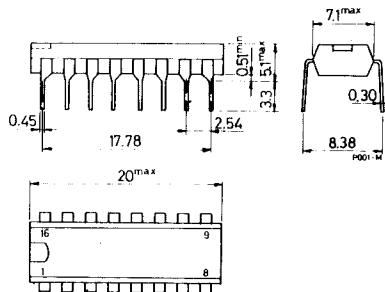
ABSOLUTE MAXIMUM RATINGS

V_s	Supply voltage (pin 9)	15	V
V_{12}	Voltage at pin 12	V_s	
P_{tot}	Total power dissipation at $T_{amb} \leq 70^\circ\text{C}$	800	mW
T_{stg}	Storage temperature	-55 to 150	$^\circ\text{C}$
T_{op}	Operating temperature	0 to 70	$^\circ\text{C}$

ORDERING NUMBER: TDA 2161

MECHANICAL DATA

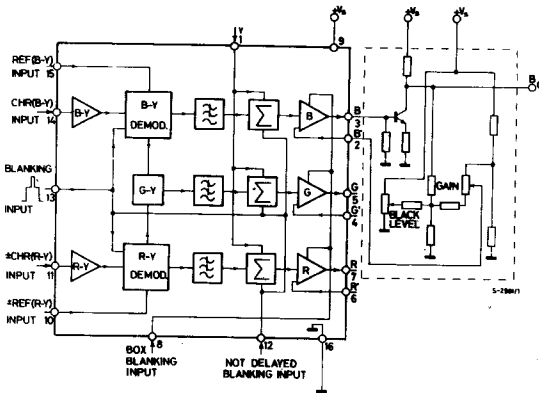
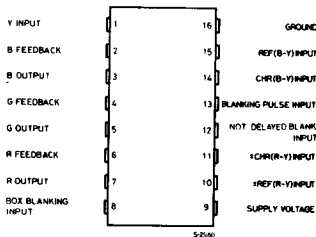
Dimensions in mm



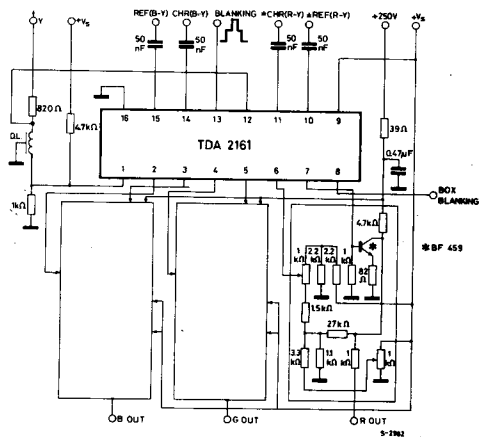
TDA 2161

CONNECTION AND BLOCK DIAGRAMS

(top view)



TEST CIRCUIT

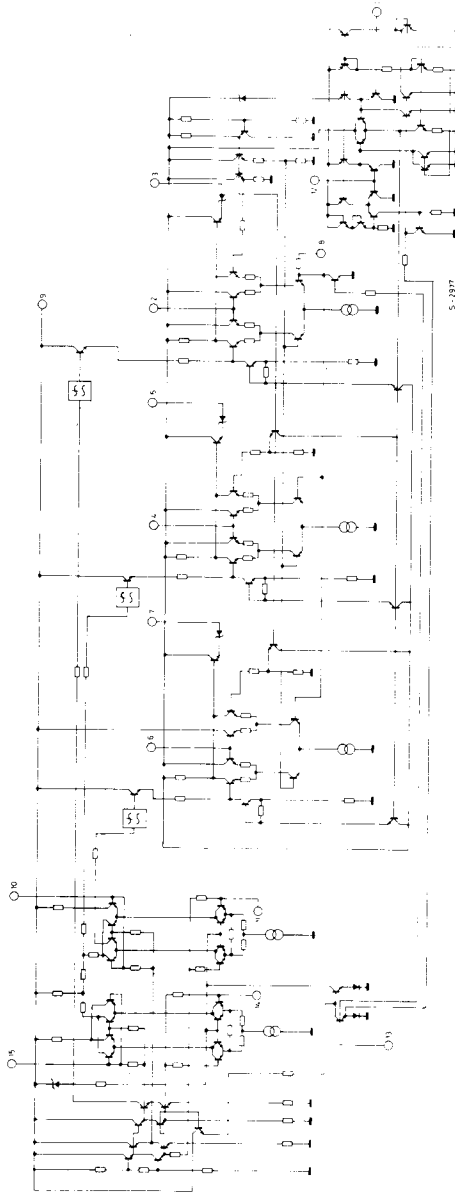


THERMAL DATA

R_{th j-amb} Thermal resistance junction-ambient

max 100 °C/W

SCHEMATIC DIAGRAM



TDA 2161

ELECTRICAL CHARACTERISTICS

(Refer to the test circuit, $V_s = 12V$, $T_{amb} = 25^\circ C$ unless otherwise specified)

Parameter	Test conditions	Min.	Typ.	Max.	Unit	
V_s	Supply voltage (pin 9)	10.8		13.2	V	
I_s	Supply current (pin 9)		35	46	mA	
V_1	Peak to peak luminance input signal	CRT cathodes signal = 100 Vpp		1	V	
V_1	Black level voltage of luminance input signal		2.2		V	
R_1	Luminance input resistance		50		k Ω	
G_V	Gain of luminance channels (including video output stages)	$f = 0.5 \text{ MHz}$ $V_i = 1 \text{ Vpp}$	100		—	
B_V	Frequency response of luminance channels (-3 dB)	$V_i = 200 \text{ mVpp}$	6		MHz	
V_8	Box blanking input pulse		2.5	5	V	
V_{11}	Chr. (R-Y) peak to peak input signal for max. output	$f = 4.4 \text{ MHz}$ Output signals linearity factor: $m = 0.7$	470		mV	
V_{14}	Chr. (B-Y) peak to peak input signal for max. output		350		mV	
R_{11}	Chr. (R-Y) input resistance	$f = 4.4 \text{ MHz}$	1		k Ω	
C_{11}	Chr. (R-Y) input capacitance			5	pF	
R_{14}	Chr. (B-Y) input resistance		1		k Ω	
C_{14}	Chr. (B-Y) input capacitance			5	pF	
V_{10}	\pm Ref. (R-Y) peak to peak input signal		0.8		V	
R_{10}	\pm Ref. (R-Y) input resistance		2		k Ω	
V_{15}	Ref. (B-Y) input signal		0.8		V	
R_{15}	Ref. (B-Y) input resistance		2		k Ω	
G_{R-Y}	Gain of (R-Y) demodulator (note)		$f = 4.4 \text{ MHz}$ $V_i = 50\text{mVpp}$	3.3		—

ELECTRICAL CHARACTERISTICS (continued)

Parameter		Test conditions	Min.	Typ.	Max.	Unit
G_{B-Y} G_{R-Y}	(B-Y) demodulator gain to (R-Y) demodulator gain ratio	$f = 4.4 \text{ MHz}$ $V_i = 50 \text{ mVpp}$ $V_{14} = 50 \text{ mVpp}$ $V_{10} = V_{15} = 700 \text{ mVpp}$		1.78		—
V_{G-Y} V_{R-Y}	(G-Y) to (R-Y) matrix ratio	$f = 4.4 \text{ MHz}$ $V_{11} = 50 \text{ mVpp}$ $V_{10} = 700 \text{ mVpp}$		-0.51		—
V_{G-Y} V_{B-Y}	(G-Y) to (B-Y) matrix ratio	$f = 4.4 \text{ MHz}$ $V_{14} = 50 \text{ mVpp}$ $V_{15} = 700 \text{ mVpp}$		-0.19		—
B_{Chr}	Frequency response of colour difference channels (-3 dB)	$V_{11} = 0.1 \text{ Vpp}$ $V_{14} = 0.1 \text{ Vpp}$ $V_{10} = V_{15} = 700 \text{ mVpp}$	1	1.2		MHz
V_3	B output voltage swing	$m \geq 0.7$		3		V
V_5	G output voltage swing			3		V
V_7	R output voltage swing			3		V
V_{13}	Blanking input voltage		1			V
I_{13}	Blanking input current		10			μA
ΔV_o	DC differential voltage between RGB outputs (at c.r.t. cathodes)	$V_1 = V_{12}$			5	V
	Residual carrier at the CRT cathodes				2	Vpp

APPLICATION INFORMATION

Pin 1 - Luminance input

The luminance signal enters at pin 1 with a typical black to white amplitude of 1V and a black level of 2.2V. The typical input impedance is $50 \text{ k}\Omega/5 \text{ pF}$.

Pin 2 - Blue channel feedback

The DC working points and gains of the output stages and the IC amplifier stages are stabilized by the feedback circuits. The gain and black level of the RGB output stages are adjusted to have the black and white setting points on the picture tube, by means of the potentiometers in the feedback paths.

TDA 2161

APPLICATION INFORMATION (continued)

Pin 3 - Blue signal output

The low output impedance and the dynamic swing of the B signal output allows direct driving of the video output stage.

Pin 4 - Green channel feedback (see pin 2)

Pin 5 - Green signal output (see pin 3)

Pin 6 - Red channel feedback (see pin 2)

Pin 7 - Red signal output (see pin 3)

Pin 8 - Box blanking input

Positive going pulses are required. The high impedance input is TTL compatible.

Pin 9 - Positive supply

The operating supply voltage of the device ranges from 10.8 to 13.2V.

Pin 10 - \pm (R-Y) reference input

A DC blocking capacitor is required to avoid DC unbalance of the demodulator. A minimum peak to peak signal of 0.5V is required to ensure good demodulator performance.

Pin 11 - \pm (R-Y) chroma signal input

The (B-Y) and (R-Y) demodulators have different amplification gain to compensate for the different attenuation of the chrominance signal components. This results in a gain of 3.3 for the (R-Y) detector while the relationship between the gain of the (B-Y) detector and that of the (R-Y) detector is 1.78. The gain is calculated on the peak-to-peak values at the input and output of the demodulator, using standard colour bars as a test signal. To obtain maximum output, the chrominance input signals must have a typical value of 350 mVpp for (B-Y) and 370 mVpp for (R-Y). In addition to the chrominance signal components, the burst also arrives at the demodulators. If demodulated, the burst would alter the blanking level on the video output stages. The demodulators must therefore be shut off during flyback and this is done by the sandcastle pulse applied at pin 13 of the IC. The (G-Y) component is obtained from the outputs of the two demodulators by means of the passive matrix according to the equation: $(G-Y) = -0.51 (R-Y) - 0.19 (B-Y)$.

Pin 12 - Not delayed blanking input

The not delayed blanking pulse, available before the luminance delay line, is combined internally with the blanking pulse applied at pin 13.

Pin 13 - Blanking input

The demodulators are blanked by applying at pin 13 a positive pulse which must exceed the internal threshold of 1.5V. The input impedance is 5 k Ω .

Pin 14 - (B-Y) chroma signal input (see pin 11)

Pin 15 - (B-Y) reference input (see pin 10)

Pin 16 - Ground

