

4-BIT ARITHMETIC LOGIC UNIT

- PROVIDES 16 ARITHMETIC OPERATIONS ADD, SUBTRACT, COMPARE, DOUBLE, PLUS TWELVE OTHER ARITHMETIC OPERATIONS
- PROVIDES ALL 16 LOGIC OPERATIONS OF TWO VARIABLES: EXCLUSIVE-OR COMPARE, AND, NAND, OR, NOR, PLUS TEN OTHER LOGIC OPERATION
- FULL LOOKAHEAD FOR HIGH SPEED ARITHMETIC OPERATION ON LONG WORDS
- INPUT CLAMP DIODES

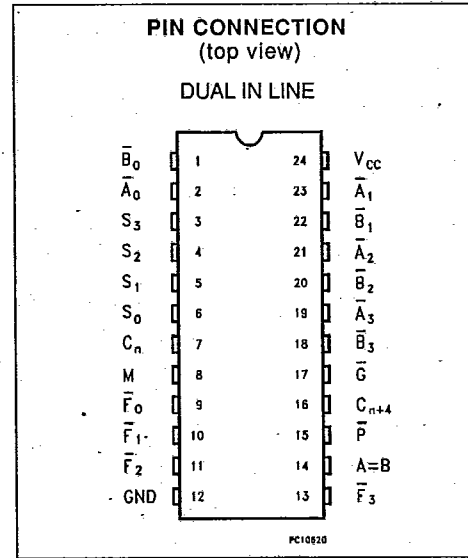
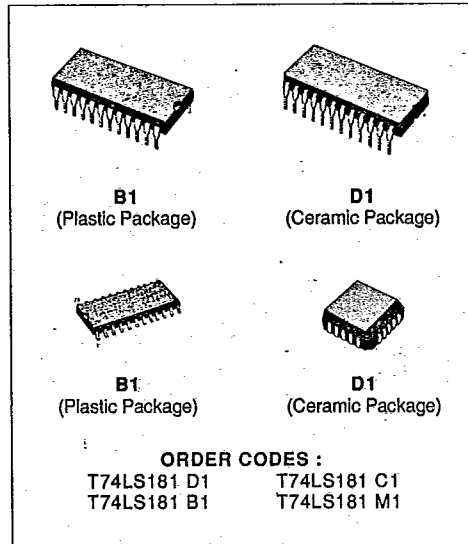
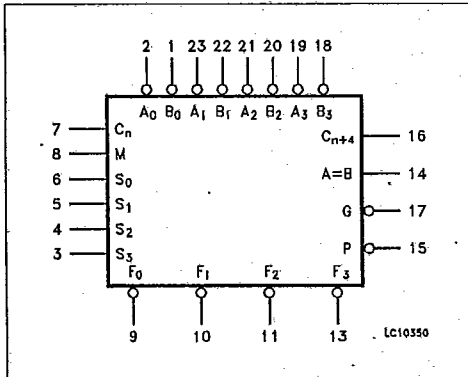
DESCRIPTION

The T74LS181 is a 4-bit Arithmetic Logic Unit (ALU) which can perform all possible 16 logic, operations on two variables and a variety of arithmetic operations.

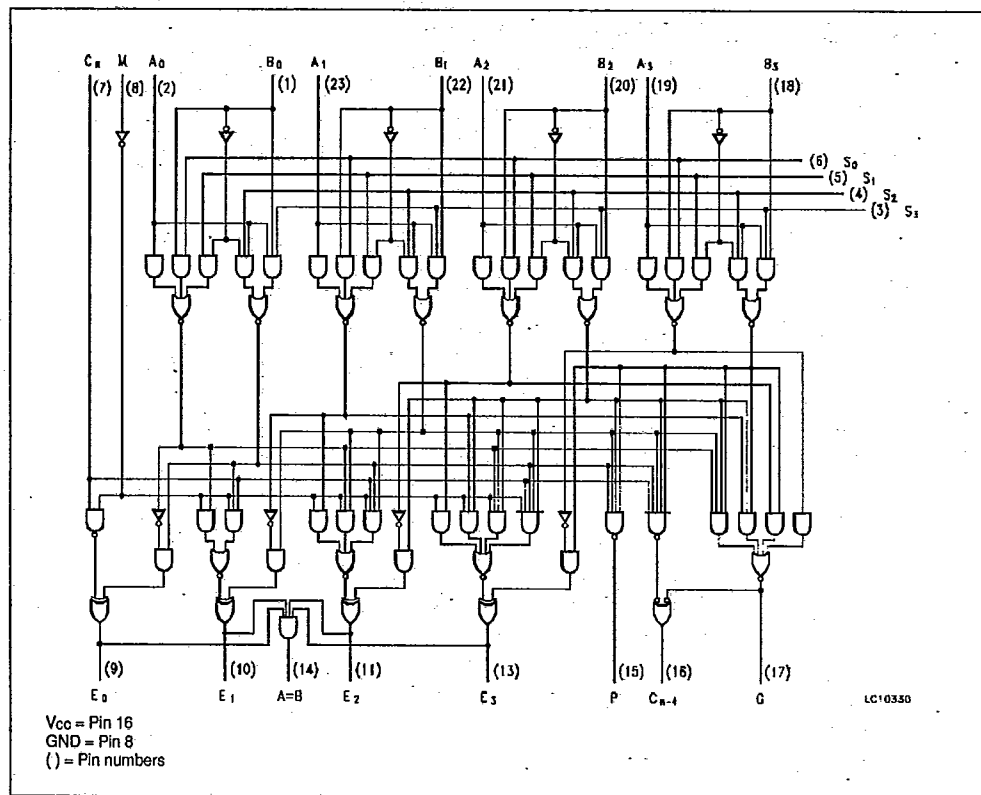
PIN NAMES

$\bar{A}_1-\bar{A}_3, \bar{B}_0-\bar{B}_3$	Operand (ACTIVE low) Inputs
S_0-S_3	Function-Select Inputs
M	Mode Control Input
C_{in}	Carry Input
$\bar{F}_0-\bar{F}_3$	Function (Active LOW) Outputs
A = B	Comparator Output
G	Carry Generate (Active LOW) Output
P	Carry Propagate (Active LOW) Output
C_{n+4}	Carry Output

LOGIC SYMBOL



LOGIC SYMBOL AND LOGIC DIAGRAM



ABSOLUTE MAXIMUM RATINGS

Symbol	Parameter	Value	Unit
V _{CC}	Supply Voltage	- 0.5 to 7	V
V _I	Input Voltage, Applied to Input	- 0.5 to 15	V
V _O	Output Voltage, Applied to Output	- 0.5 to 10	V
I _I	Input Current, Into Inputs	- 30 to 5	mA
I _O	Output Current, Into Outputs	50	mA

Stresses in excess of those listed under "Absolute Maximum Ratings" may cause permanent damage to the device. This is a stress rating only and functional operation of the device at these or any other conditions in excess of those indicated in the operational sections of this specification is not implied. Exposure to absolute maximum rating conditions for extended periods may affect device reliability.

GUARANTEED OPERATING RANGE

Part Numbers	Supply Voltage			Temperature
	Min.	Typ.	Max.	
T74LS181XX	4.75 V	5.0 V	5.25 V	0 °C to + 70 °C

XX = package type.

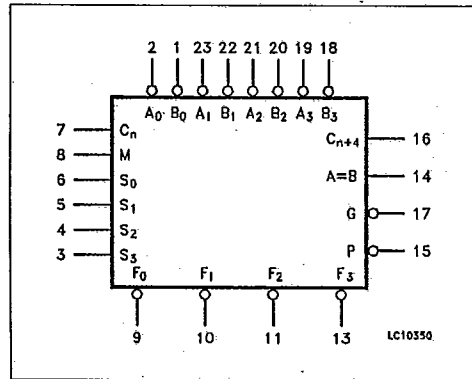
42E D 7929237 0033458 T SGTH

TRUTH TABLE

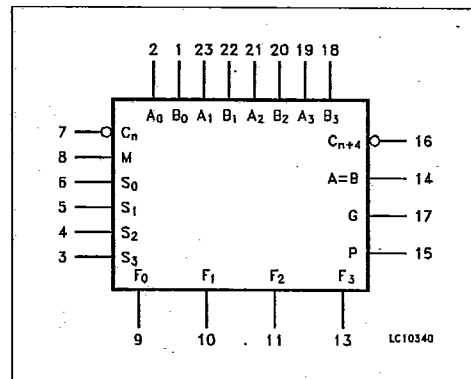
MODE SELECT INPUTS				ACTIVE LOW INPUTS & OUTPUTS		ACTIVE HIGH INPUTS & OUTPUTS	
S ₃	S ₂	S ₁	S ₀	LOGIC (M = H)	ARITHMETIC ** (M = L) (C _n = L)	LOGIC (M = H)	ARITHMETIC ** (M = L) (C _n = H)
L	L	L	L	\bar{A}	A minus 1	\bar{A}	A
L	L	L	H	$\bar{A}\bar{B}$	AB minus 1	$\overline{A+B}$	A+B
L	L	H	L	$\overline{A+B}$	AB minus 1	$\bar{A}\bar{B}$	$\overline{A+B}$
L	L	H	H	Logical 1	minus 1	Logical 0	minus 1
L	H	L	L	$\overline{A+B}$	A plus (A+B)	$\bar{A}\bar{B}$	A plus $\bar{A}\bar{B}$
L	H	L	H	\bar{B}	AB plus (A+B)	\bar{B}	(A+B) plus $\bar{A}\bar{B}$
L	H	H	L	$A \oplus \bar{B}$	A minus B minus 1	$A \oplus B$	A minus B minus 1
L	H	H	H	$A \oplus \bar{B}$	A+B	$\bar{A}\bar{B}$	AB minus 1
H	L	L	L	$\bar{A}\bar{B}$	A plus (A+B)	$\overline{A+B}$	A plus AB
H	L	L	H	$A \oplus B$	A plus B	$\overline{A \oplus B}$	A plus B
H	L	H	L	\bar{B}	AB plus (A+B)	\bar{B}	(A+B) plus AB
H	L	H	H	$\overline{A+B}$	A+B	$\bar{A}\bar{B}$	AB minus 1
H	H	L	L	Logical 0	A plus A *	Logical 1	A plus A *
H	H	L	H	$\bar{A}\bar{B}$	AB plus A	$\overline{A+B}$	(A+B) plus A
H	H	H	L	$\bar{A}\bar{B}$	AB plus A	$\overline{A+B}$	(A+B) plus A
H	H	H	H	A	A	A	A minus 1

L = LOW Voltage Level, H = HIGH Voltage Level
 * Each bit is shifted to the next more significant position.
 ** Arithmetic operations expressed in 2s complement notation.

ACTIVE LOW



ACTIVE HIGH



FUNCTIONAL DESCRIPTION

42E D ■ 7929237 0033459 1 ■ SGTH

The T74LS181 is a 4-bit high speed Arithmetical Logic Unit (ALU). Controlled by the four Function Select Inputs (S_0, S_1, S_2, S_3) and the Mode Control Input (M), it can perform all the possible 16 logic operations or 16 different arithmetic operations or active HIGH or active LOW operands. The Function Table lists these operations.

When the Mode Control Input (M) is HIGH, all internal carriers are inhibited and the device performs logic operations on the individual bits as listed. When the Mode Control Input is LOW, the carriers are enabled and the device performs arithmetic operations on the two 4-bit words. The device incorporates full internal carry lookahead and provides for either ripple carry between devices using the C_{n+4} output, or for carry lookahead between packages using the signal \bar{P} (Carry Propagate) and \bar{G} (Carry Generate). \bar{P} and \bar{G} are not affected by carry in. When speed requirements are not stringent, the LS181 can be used in a simple ripple carry mode by connecting the Carry Output (C_{n+4}) signal to the Carry Input (C_n) of the next unit. For high speed operation the LS181 is used in conjunction with other carry lookahead circuits. One carry lookahead package is required for each group of four LS181 devices. Carry lookahead can be provided at

various levels and offers high speed capability over extremely long word lengths. The A=B output from the LS181 goes HIGH when all four F outputs are HIGH and can be used to indicate logic equivalence over four bits when the unit is in the subtract mode. The A=B output is open collector and can be wired-AND with other A=B outputs to give a comparison for more than four bits. The A=B signal can also be used with the C_{n+4} signal to indicate $A > B$ and $A < B$.

The Function Table lists the arithmetic operations that are performed without a carry in. An incoming carry adds a one to each operation. Thus, select code LHHH generates A minus B minus 1 (2s complement notation) without a carry in and generates A and B when carry is applied. Because subtraction is actually performed by complementary addition (1s complement), a carry out means borrow; thus a carry out means underflow and no carry is generated when there is underflow.

As indicated, the LS181 can be used with either active LOW input producing active LOW outputs or with active HIGH inputs producing active HIGH outputs. For either case the table lists the operations that are performed to the operands labeled inside the logic symbol.

DC CHARACTERISTICS OVER OPERATING TEMPERATURE RANGE

Symbol	Parameter	Limits			Test Condition (note 1)	Unit
		Min.	Typ. (*)	Max.		
V _{IH}	Input HIGH Voltage	2.0			Guaranteed Input HIGH Voltage for All Input	V
V _{IL}	Input LOW Voltage			0.8	Guaranteed Input LOW Voltage for All Input	V
V _{CD}	Input Clamp Diode Voltage		- 0.65	- 1.5	V _{CC} = MIN, I _{IN} = -18 mA	V
V _{OH}	Output HIGH Voltage	2.7	3.5		V _{CC} = MIN, I _{OH} = - 400 μA V _{IN} = V _{IH} or V _{IL} per Truth Table	V
I _{OH}	Output HIGH Current			100	V _{CC} = MIN, V _{OH} = 5.5 V	μA
V _{OL}	Output LOW Voltage Except G and P		0.25	0.4	I _{OL} = 4.0 mA	V _{IL} per Truth Table
			0.35	0.5	I _{OL} = 8.0 mA	
	Output \bar{G}		0.47	0.7	I _{OL} = 1.6 mA	
	Output P		0.35	0.7	I _{OL} = 8.0 mA	
I _{IH}	Input HIGH Current Mode Input A and B Inputs S Input Carry Inputs			20 60 80 100	V _{CC} = MAX, V _{IN} = 2.7 V	μA
	Mode Input A and B Inputs S Input Carry Inputs			0.1 0.3 0.4 0.5	V _{CC} = MAX, V _{IN} = 7.0 V	
I _{IL}	Input LOW Current Mode Input A and B Inputs S Input Carry Inputs			- 0.36 - 1.08 - 1.44 - 2.0	V _{CC} = MAX, V _{IN} = 0.4 V	mA
I _{OS}	Output Short Circuit Current (note 2)	- 20		- 100	V _{CC} = MAX, V _{IN} = 0 V	mA
I _{CC}	Power Supply Current Condition A (Note 3)		20	34	V _{CC} = MAX	mA
	Power Supply Current Condition B (Note 3)		21	37		mA

- Notes : 1. Conditions for testing, not shown in the Table, are chosen to guarantee operation under "worst case" conditions
2. Not more than one output should be shorted at a time.
3. With output open, I_{CC} is measured for the following conditions:
A. S₀ through S₃, M and A inputs are at 4.5 V, all other inputs are grounded.
B. S₀ through S₃ and M are at 4.5 V, all other inputs are grounded.
(*) Typical values are at V_{CC} = 5.0 V, T_A = 25 °C.

AC CHARACTERISTICS: $T_A = 25^\circ\text{C}$

Symbol	Parameter	Limits		Test Conditions	Units
		Min.	Max.		
t_{PLH} t_{PHL}	Propagation Delay, (C_n to C_{n+4})	18 13	27 20	$M = 0V$, (Sum or Diff Mode) See Figure 1 and Tables I and II	ns
t_{PLH} t_{PHL}	Propagation Delay, (C_n to F output)	17 13	26 20	$M = 0V$, (Sum Mode) See Figure 1 and Table I	ns
t_{PLH} t_{PHL}	Propagation Delay, (A or B Inputs to G Outputs)	19 15	29 23	$M = S_1 = S_2 = 0V$, $S_0 = S_3 = 4.5V$ (Sum Mode) See Figure 1 and Table I	ns
t_{PLH} t_{PHL}	Propagation Delay, (A or B Inputs to G Outputs)	21 21	32 32	$M = S_0 = S_3 = 0V$, $S_1 = S_2 = 4.5V$ (Diff Mode) See Figure 2 and Table II	ns
t_{PLH} t_{PHL}	Propagation Delay, (A or B Inputs to F Outputs)	20 20	30 30	$M = S_1 = S_2 = 0V$, $S_0 = S_3 = 4.5V$ (Sum Mode) See Figure 1 and Table I	ns
t_{PLH} t_{PHL}	Propagation Delay, (A or B Inputs to P Outputs)	20 22	30 33	$M = S_0 = S_3 = 0V$, $S_1 = S_2 = 4.5V$ (Diff Mode) See Figure 2 and Table II	ns
t_{PLH} t_{PHL}	Propagation Delay, (A or B Inputs to any F Outputs)	21 13	32 20	$M = S_1 = S_2 = 0V$, $S_0 = S_3 = 4.5V$ (Sum Mode) See Figure 1 and Table I	ns
t_{PLH} t_{PHL}	Propagation Delay, (A or B Inputs to any F Outputs)	21 21	32 32	$M = S_0 = S_3 = 0V$, $S_1 = S_2 = 4.5V$ (Diff Mode) See Figure 2 and Table II	ns
t_{PLH} t_{PHL}	Propagation Delay, (A or B Inputs to any F Outputs)	22 6	32 38	$M = 0V$, (Logic Mode) See Figure 1 and Table III	ns
t_{PLH} t_{PHL}	Propagation Delay, (A or B Inputs to C_{n+4} Outputs)	25 25	38 38	$M = S_1 = S_2 = 0V$, $S_0 = S_3 = 4.5V$ (Sum Mode) See Figure 3 and Table I	ns
t_{PLH} t_{PHL}	Propagation Delay, (A or B Inputs to C_{n+4} Outputs)	27 27	41 41	$M = S_0 = S_3 = 0V$, $S_1 = S_2 = 4.5V$ (Diff Mode)	ns
t_{PLH} t_{PHL}	Propagation Delay, (A or B Inputs to A = B Outputs)	33 41	50 62	$M = S_0 = S_3 = 0V$, $S_1 = S_2 = 4.5V$ (Diff Mode) See Figure 2 and Table II	ns

AC WAVEFORMS

Figure 1

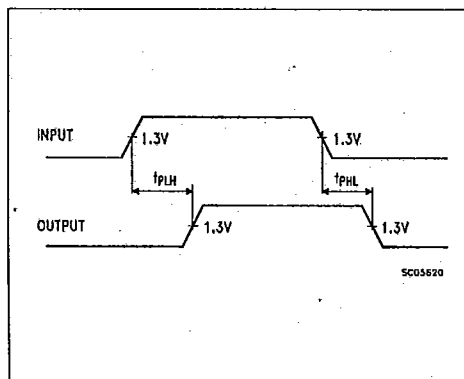
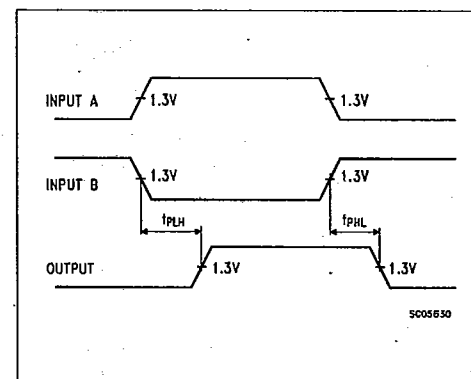
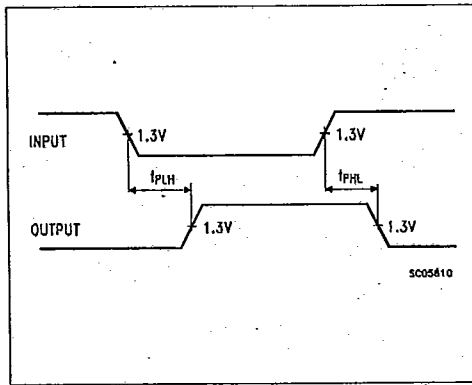


Figure 2



42E D ■ 7929237 0033462 1 ■ SGTH

Figure 3

SUM MODE TEST TABLE I: $S_0 = S_3 = 4.5\text{ V}$, $S_1 = S_2 = M = 0\text{ V}$

Parameter	Input Under Test	OTHER INPUT SAME BIT		OTHER DATA INPUTS		Output Under Test
		APPLY 4.5V	APPLY GND	APPLY 4.5V	APPLY GND	
t_{PLH} t_{PHL}	\bar{A}_i	\bar{B}_i	None	Remaining A and B	C_n	\bar{F}_i
t_{PLH} t_{PHL}	\bar{B}_i	\bar{A}_i	None	Remaining A and B	C_n	\bar{F}_i
t_{PLH} t_{PHL}	\bar{A}_i	\bar{B}_i	None	C_n	Remaining A and B	F_{i+1}
t_{PLH} t_{PHL}	\bar{B}_i	\bar{A}_i	None	C_n	Remaining A and B	F_{i+1}
t_{PLH} t_{PHL}	\bar{A}	\bar{B}	None	None	Remaining A and B, C_n	P
t_{PLH} t_{PHL}	\bar{B}	\bar{A}	None	None	Remaining A and B, C_n	\bar{P}
t_{PLH} t_{PHL}	\bar{A}	None	\bar{B}	Remaining B	Remaining A, C_n	\bar{G}
t_{PLH} t_{PHL}	\bar{B}	None	\bar{A}	Remaining B	Remaining A, C_n	\bar{G}
t_{PLH} t_{PHL}	\bar{A}	None	\bar{B}	Remaining B	Remaining A, C_n	C_{n+4}
t_{PLH} t_{PHL}	\bar{B}	None	\bar{A}	Remaining B	Remaining A, C_n	C_{n+4}
t_{PLH} t_{PHL}	C_n	None	None	All A	All B	Any \bar{F} or C_{n+4}

DIFF MODE TEST TABLE II: $S_0 = S_3 = 4.5\text{ V}$, $S_1 = S_2 = M = 0\text{ V}$

Parameter	Input Under Test	OTHER INPUT SAME BIT		OTHER DATA INPUTS		Output Under Test
		APPLY 4.5V	APPLY GND	APPLY 4.5V	APPLY GND	
t_{PLH} t_{PHL}	\bar{A}	None	\bar{B}	Remaining A	Remaining B, C_n	\bar{F}_i
t_{PLH} t_{PHL}	\bar{B}	\bar{A}	None	Remaining A	Remaining B, C_n	\bar{F}_i
t_{PLH} t_{PHL}	\bar{A}_i	None	\bar{B}_i	Remaining B, C_n	Remaining A	F_{i+1}
t_{PLH} t_{PHL}	\bar{B}_i	\bar{A}_i	None	Remaining B, C_n	Remaining A	F_{i+1}
t_{PLH} t_{PHL}	\bar{A}	None	\bar{B}	None	Remaining A and B, C_n	P
t_{PLH} t_{PHL}	\bar{B}	\bar{A}	None	None	Remaining A and B, C_n	\bar{P}
t_{PLH} t_{PHL}	\bar{A}	\bar{B}	None	None	Remaining A and B, C_n	\bar{G}
t_{PLH} t_{PHL}	\bar{B}	None	\bar{A}	None	Remaining A and B, C_n	\bar{G}
t_{PLH} t_{PHL}	\bar{A}	None	\bar{B}	Remaining A	Remaining B, C_n	A = B
t_{PLH} t_{PHL}	\bar{B}	\bar{A}	None	Remaining A	Remaining B, C_n	A = B
t_{PLH} t_{PHL}	\bar{A}	\bar{B}	None	None	Remaining A and B, C_n	C_{n+4}
t_{PLH} t_{PHL}	\bar{B}	None	\bar{A}	None	Remaining A and B, C_n	C_{n+4}
t_{PLH} t_{PHL}	C_n	None	None	All \bar{A} and \bar{B}	None	C_{n+4}

LOGIC MODE TEST TABLE III: $S_1 = S_2 = M = 4.5\text{ V}$, $S_0 = S_3 = 0\text{ V}$

Parameter	Input Under Test	OTHER INPUT SAME BIT		OTHER DATA INPUTS		Output Under Test
		APPLY 4.5V	APPLY GND	APPLY 4.5V	APPLY GND	
t_{PLH} t_{PHL}	\bar{A}	None	\bar{B}	None	Remaining A and B, C_n	\bar{F}_i
t_{PLH} t_{PHL}	\bar{B}	None	\bar{A}	None	Remaining A and B, C_n	\bar{F}_i