

**Tyco/Electronics**  
**Raychem Circuit Protection**  
 308 Constitution Drive  
 Menlo Park, CA 94025-1164  
 Phone: 800-227-4856  
 Fax: 800-227-4866

**PolySwitch®**  
**PTC Devices**  
 Overcurrent Protection Device

**PRODUCT: RXE020S**

DOCUMENT: SCD 23914  
 PCN: 768223  
 REV LETTER: D  
 REV DATE: AUGUST 20, 2001  
 PAGE NO.: 1 OF 1

**Specification Status: RELEASED**

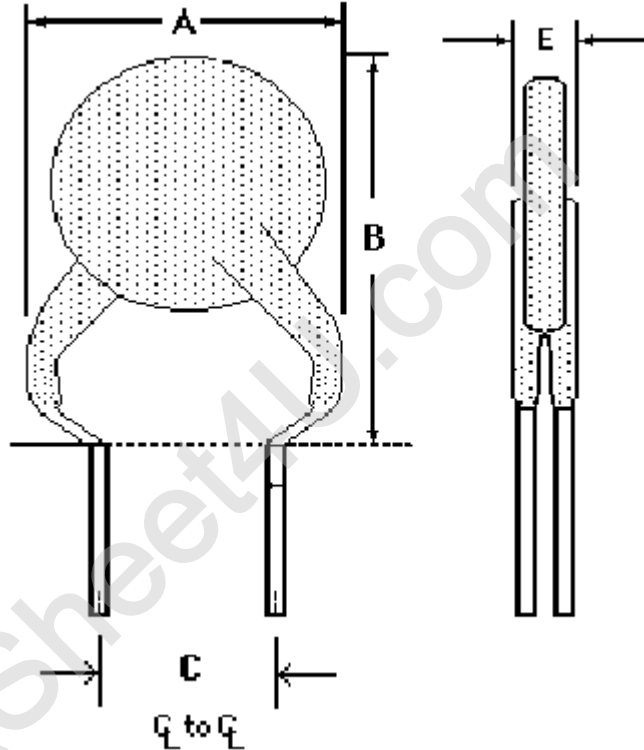
**Electrical Rating**  
**Voltage: 72V MAX**  
**Current: 40A MAX**

Insulating Material:  
 Cured, Flame Retarded Epoxy Polymer  
 meets UL94 V-0 Requirements

Lead Material:  
 24 AWG Tin Lead Plated Copper Clad Steel

Marking:

- Raychem Logo and Voltage
- XX 72 — Part Identification
- X 020 — Lot Identification (can be on back)



**TABLE I. DIMENSIONS:**

	A		B		C		D		E		F
	MIN	MAX	MIN	MAX	MIN	MAX	MIN	MAX	MIN	MAX	TYP
mm:	--	8.9	--	11.2	4.3	5.8	7.6	--	--	3.0	--
in*:	--	(0.35)	--	(0.44)	(0.17)	(0.23)	(0.30)	--	--	(0.12)	--

\*Rounded off approximation

**TABLE II. PERFORMANCE RATINGS:**

I <sub>H</sub> RATED CURRENT	CURRENT RATINGS						TIME TO TRIP	INITIAL RESISTANCE VALUES		ONE-HOUR POST-TRIP RESISTANCE STANDARD TRIP	NOMINAL TRIPPED-STATE POWER DISSIPATION
	AMPERES AT 0°C		AMPERES AT 20°C		AMPERES AT 60°C			OHMS AT 20°C			
HOLD	HOLD	TRIP	HOLD	TRIP	HOLD	TRIP	SECONDS AT 20°C, 1.25A MAX	MIN	MAX	MAX	NOMINAL
.20	.24	.48	.20	.40	.13	.26		2.2	1.83	2.75	4.40

Recognitions:

UL, CSA and TUV approved.

Reference Documents:

Approved by UL as a current limiting impedance, per the 1996 NEC, Tables 11 (c) and 11 (b). PS300

Precedence:

This specification takes precedence over documents referenced herein.

Effectivity:

Reference documents shall be the issue in effect on the date of invitation for bid.

CAUTION:

Operation beyond the rated voltage or current may result in rupture, electrical arcing or flame.