

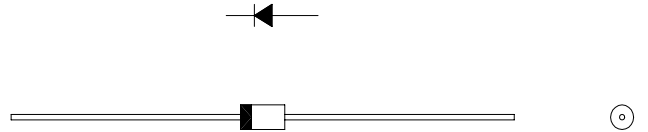
# DIODE Type : 10JDA40

1A 400V Tj =150 °C

OUTLINE DRAWING

## FEATURES

- \* Miniature Size
- \* Low Forward Voltage drop
- \* Low Reverse Leakage Current
- \* High Surge Capability
- \* 26mm and 52mm Inside Tape Spacing Package Available



## Maximum Ratings

Approx Net Weight:0.21g

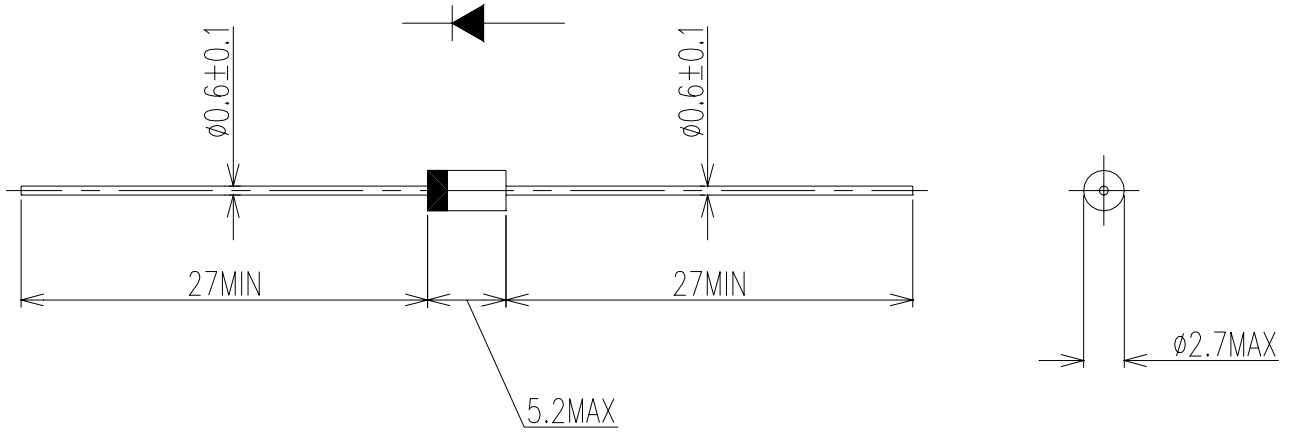
Rating	Symbol	10JDA40		Unit
Repetitive Peak Reverse Voltage	$V_{RRM}$	400		V
Average Rectified Output Current	$I_O$	50Hz Half Sine Wave Resistive Load	Ta=29°C *1 1.0	A
			Tl=126°C (Tl: Lead Temperature) 1.0	
RMS Forward Current	$I_{F(RMS)}$		1.57	A
Surge Forward Current	$I_{FSM}$	50Hz Half Sine Wave,1cycle, Non-repetitive		45 A
Operating JunctionTemperature Range	$T_{jw}$	- 40 to + 150		°C
Storage Temperature Range	$T_{stg}$	- 40 to + 150		°C

## Electrical • Thermal Characteristics

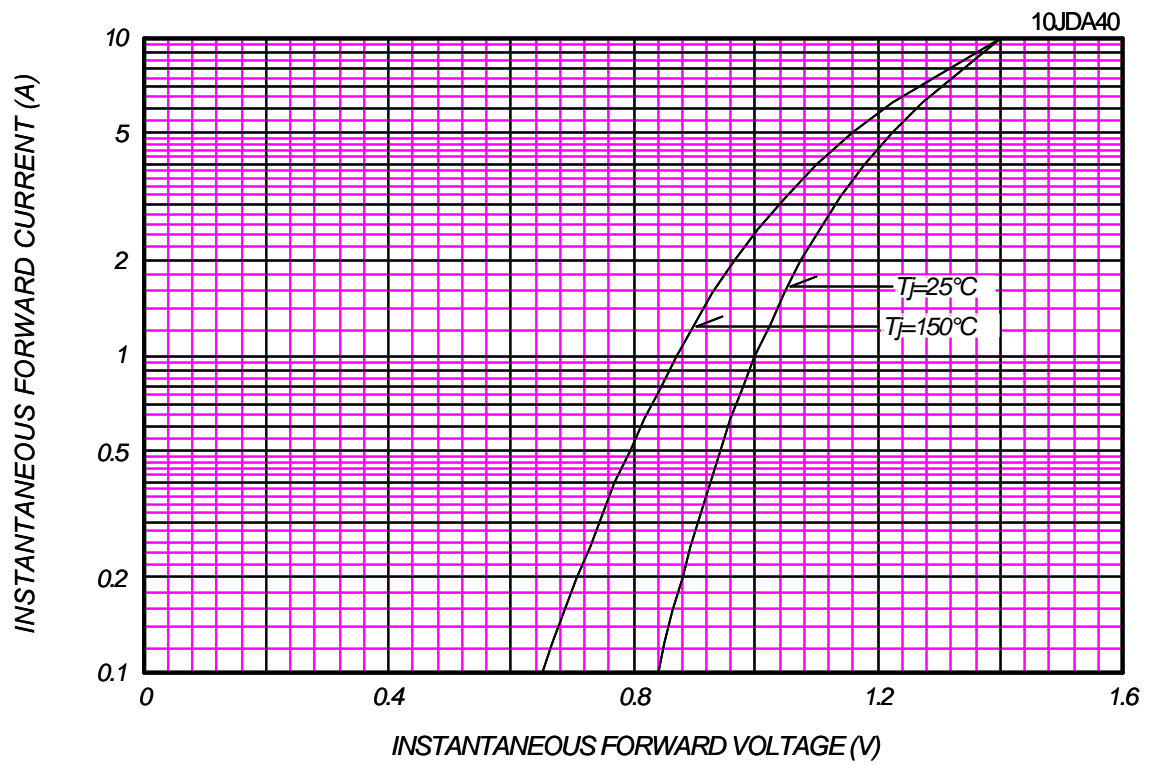
Characteristics	Symbol	Conditions	Min.	Typ.	Max.	Unit
Peak Reverse Current	$I_{RM}$	Tj= 25°C, $V_{RM}= V_{RRM}$	-	-	10	μA
Peak Forward Voltage	$V_{FM}$	Tj= 25°C, $I_{FM}= 1.0A$	-	-	1.0	V
Thermal Resistance	Rth(j-a)	Junction to Ambient *1	-	-	120	°C/W
	Rth(j-l)	Junction to Lead	-	-	23	

\*1: Without Fin or P.C. Board mounted

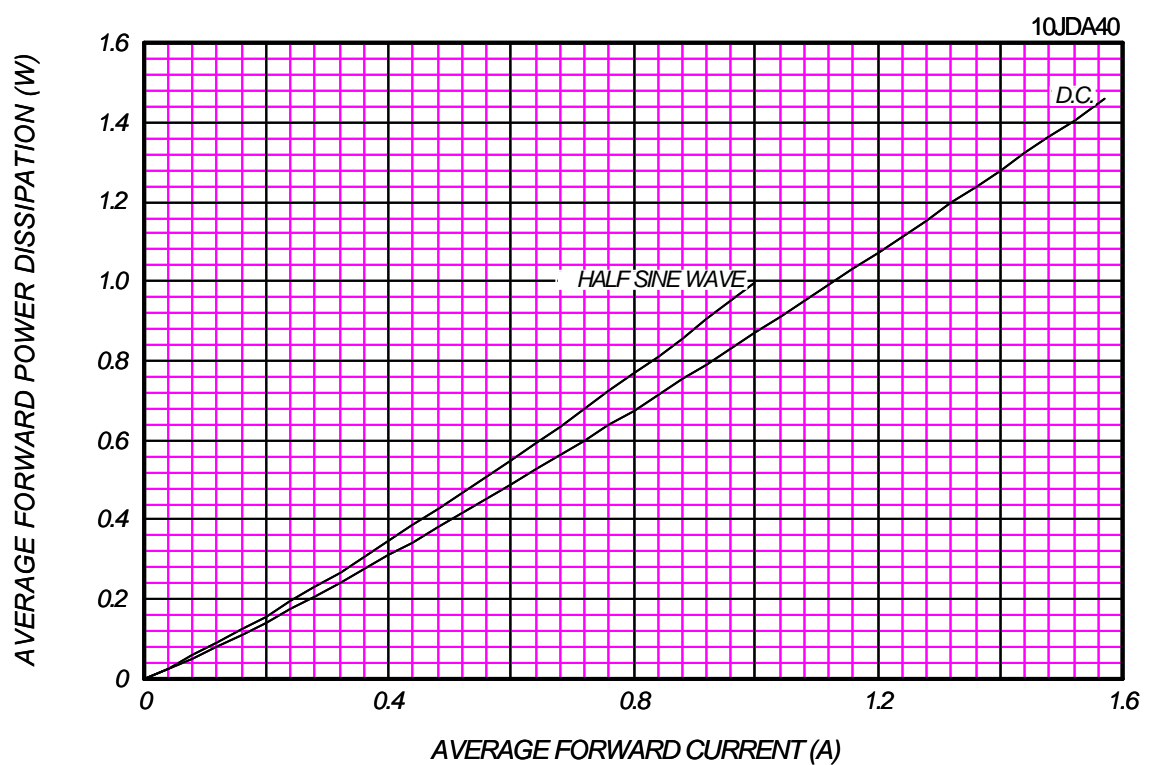
10JDA OUTLINE DRAWING (Dimensions in mm)



### FORWARD CURRENT VS. VOLTAGE



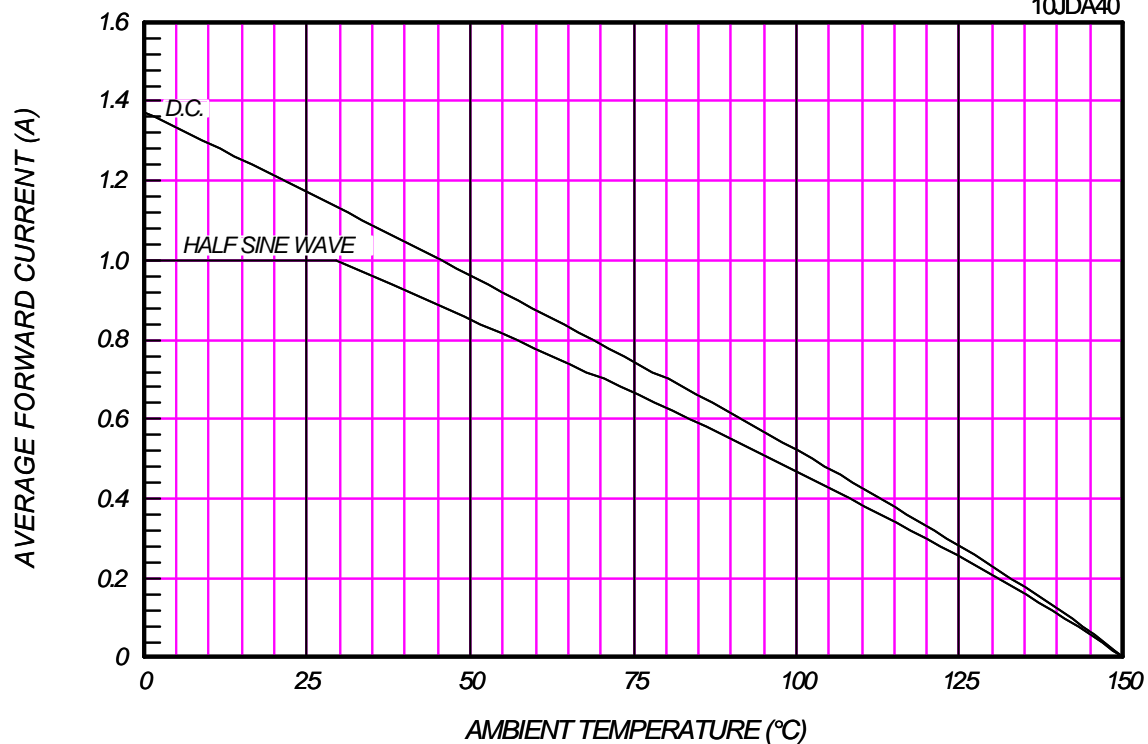
### AVERAGE FORWARD POWER DISSIPATION



### AVERAGE FORWARD CURRENT VS. AMBIENT TEMPERATURE

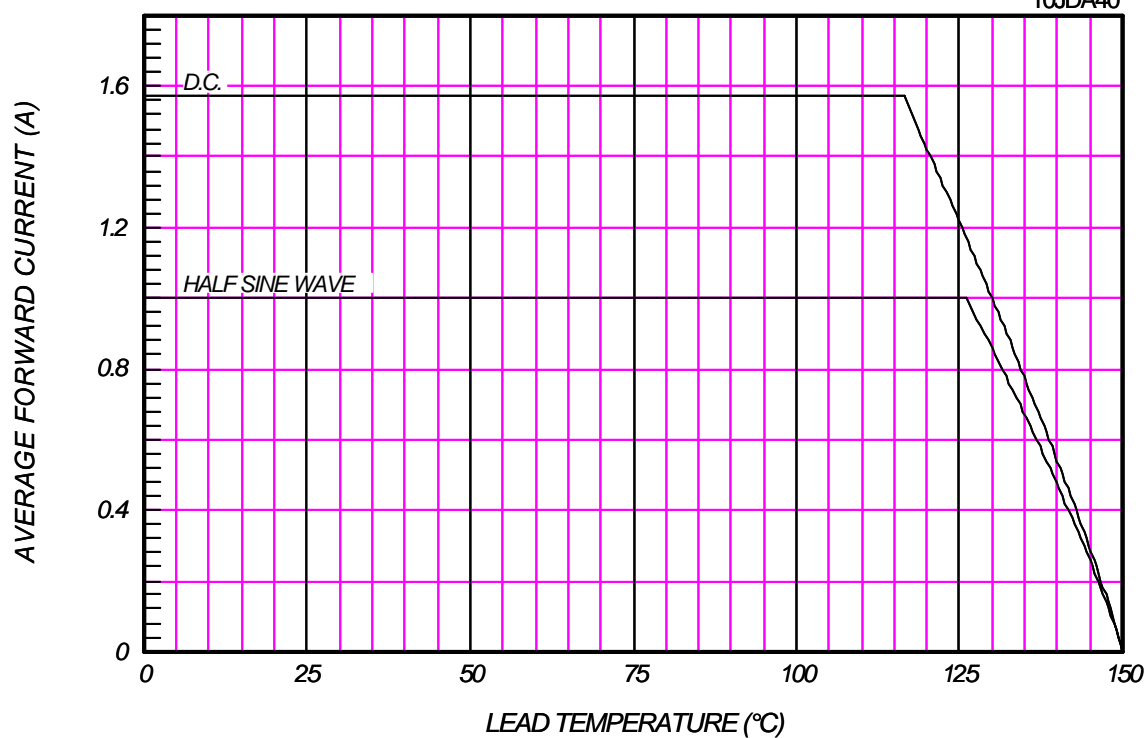
AMBIENT Without Fin or P.C. Board

10JDA40



### AVERAGE FORWARD CURRENT VS. LEAD TEMPERATURE

10JDA40



# SURGE CURRENT RATINGS

f=50Hz, Half Sine Wave, Non-Repetitive, No Load

10JDA40

