

DUAL 3A AND 1A LOW DROPOUT POSITIVE FIXED OUTPUT REGULATOR PRELIMINARY DATASHEET

FEATURES

- Guaranteed to provide 3.3V and 2.5V Supplies with 4.75V input.
- Fast Transient Response
- 1% Voltage Reference Initial Accuracy
- Built in Thermal Shutdown

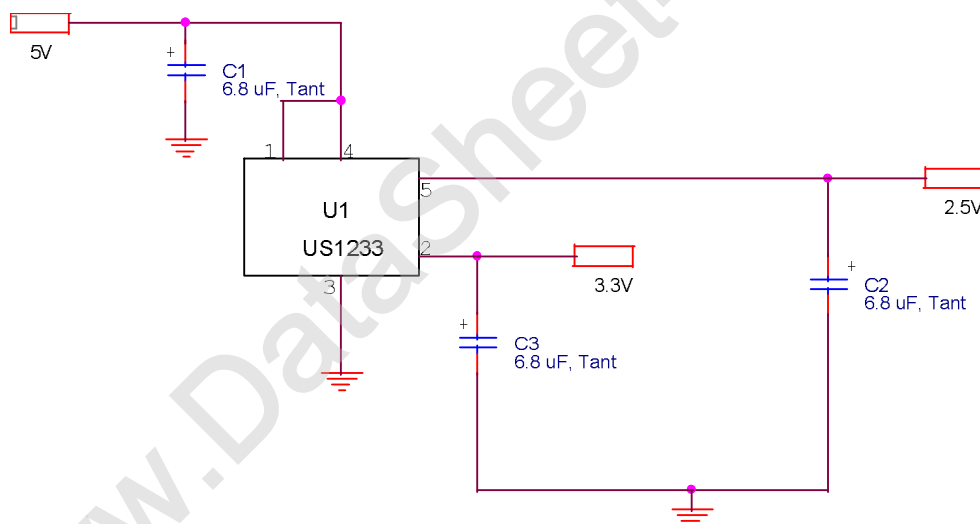
APPLICATIONS

- Provides Dual Supply in one small package for the new generation of chip sets

DESCRIPTION

The US1233 product using a **proprietary process** combines a dual low dropout regulators with **fixed outputs of 3.3V and 2.5V in a single package with the 3.3V output having a minimum of 3A and the 2.5V having a 1A output current capability**. This voltage regulator is designed specifically for High performance add-on cards that require two supplies, Vcore which is typically 2.5V and 3.3V for I/O as well as powering other chipsets. **The US1233 is a simple to use solution which offers the lowest component count and eliminates the need for a second regulator resulting in lower overall system cost.**

TYPICAL APPLICATION



Typical application of the US1233 .

PACKAGE ORDER INFORMATION

T _j (°C)	8 PIN PLASTIC SOIC PWR(S)	5 PIN PLASTIC TO263(M)	5 PIN PLASTIC POWER FLEX(P)
0 TO 150	US1233CS	US1233CM	US1233CP