

# ISDN S Interface Hybrid

## APC14131SLP

### FEATURES

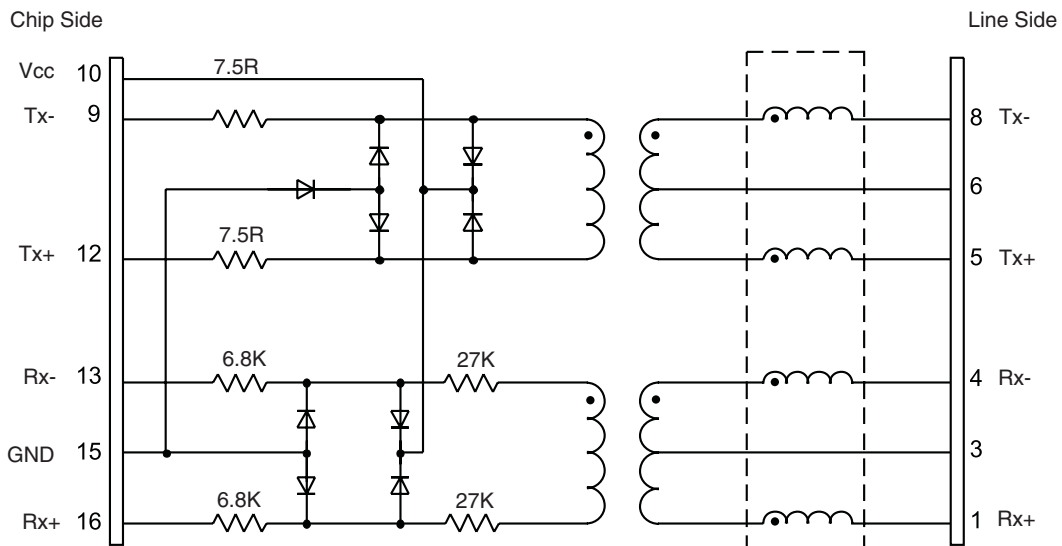
- Isolation Line : Chip, 1500 Vrms
- Designed to be used with Infineon PEB3086, PEB3186 and PEB3081 chipsets

### ELECTRICAL SPECIFICATIONS@25°C OPERATING TEMPERATURE 0°C TO +70°C

Turns Ratio ±5%	Primary Inductance mH min	Leakage Inductance µH min	Primary DCR Ω ±30%	Secondary DCR Ω ±30%	Choke	
	Line Side	Line Side	Line Side	Chip Side	Inductance per line mH nom	DCR per line Ω
1CT : 1	22	4.0	1.95	1.95	0.04	0.5

### SCHEMATIC

#### APC14131SLP



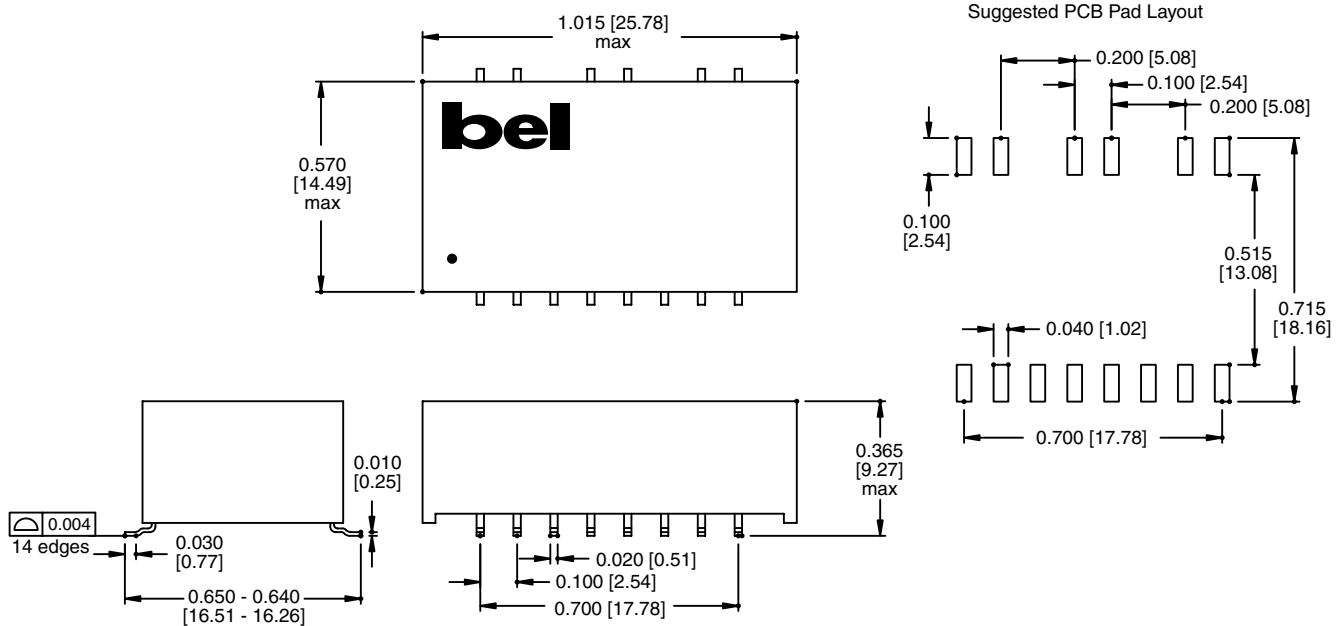


# ISDN S Interface Hybrid

## APC14131SLP

### MECHANICAL

#### APC14131SLP



Dimensions are in inches [millimeters].  
Standard dimension tolerance is  $\pm 0.010$  [0.25] unless otherwise noted.

©2003 Bel Fuse Inc. Specifications subject to change without notice. 11.06.03

#### CORPORATE

**Bel Fuse Inc.**  
206 Van Vorst Street  
Jersey City, NJ 07302  
Tel 201-432-0463  
Fax 201-432-9542  
www.belfuse.com

#### FAR EAST

**Bel Fuse Ltd.**  
8F / 8 Luk Hop Street  
San Po Kong  
Kowloon, Hong Kong  
Tel 852-2328-5515  
Fax 852-2352-3706  
www.belfuse.com

#### EUROPE

**Bel Stewart Connector**  
45/46 Riverside  
Medway City Estate  
Rochester, Kent ME2 4DP U.K.  
Tel 44-1634-722890  
Fax 44-1634-716677  
www.belfuse.com