

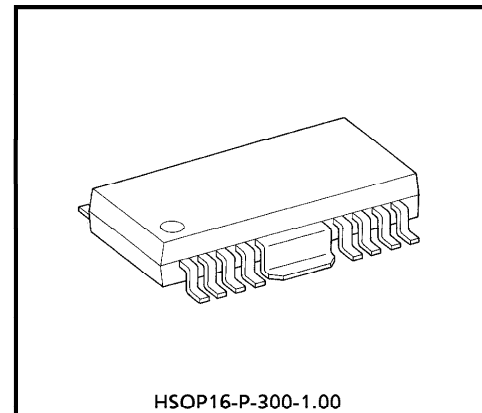
TOSHIBA BIPOLAR LINEAR INTEGRATED CIRCUIT SILICON MONOLITHIC

TA8466AF**3 PHASE FULL WAVE BRUSHLESS DC MOTOR DRIVER IC**

TA8466AF is a semi-linear type 3 Phase Full Wave Brushless DC Motor Driver IC, developed as a cylinder motor driver for stationary VTRs.

FEATURES

- Low Noise Soft Switching Drive
- One direction Drive
- Small Outer Capacitance
- Operating Supply Voltage : $V_{CC} = 7 \sim 17V$
- Hall Input Sensitivity : $V_H = 30mV_{p-p}$
- Built-in Protective Diodes for All Input Pins
- Built-in Control Amp Reference Voltage (with Output Pins)
- Built-in Thermal Shutdown Circuit

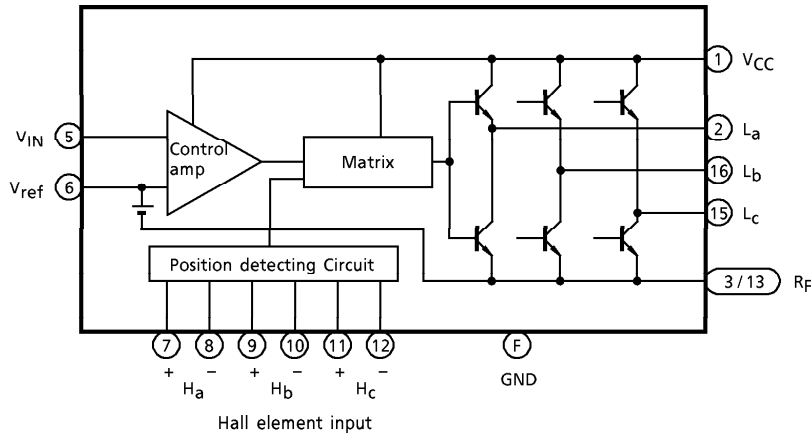


Weight : 0.50g (Typ.)

961001EBA1

- TOSHIBA is continually working to improve the quality and the reliability of its products. Nevertheless, semiconductor devices in general can malfunction or fail due to their inherent electrical sensitivity and vulnerability to physical stress. It is the responsibility of the buyer, when utilizing TOSHIBA products, to observe standards of safety, and to avoid situations in which a malfunction or failure of a TOSHIBA product could cause loss of human life, bodily injury or damage to property. In developing your designs, please ensure that TOSHIBA products are used within specified operating ranges as set forth in the most recent products specifications. Also, please keep in mind the precautions and conditions set forth in the TOSHIBA Semiconductor Reliability Handbook.
- The products described in this document are subject to foreign exchange and foreign trade control laws.
- The information contained herein is presented only as a guide for the applications of our products. No responsibility is assumed by TOSHIBA CORPORATION for any infringements of intellectual property or other rights of the third parties which may result from its use. No license is granted by implication or otherwise under any intellectual property or other rights of TOSHIBA CORPORATION or others.
- The information contained herein is subject to change without notice.

BLOCK DIAGRAM

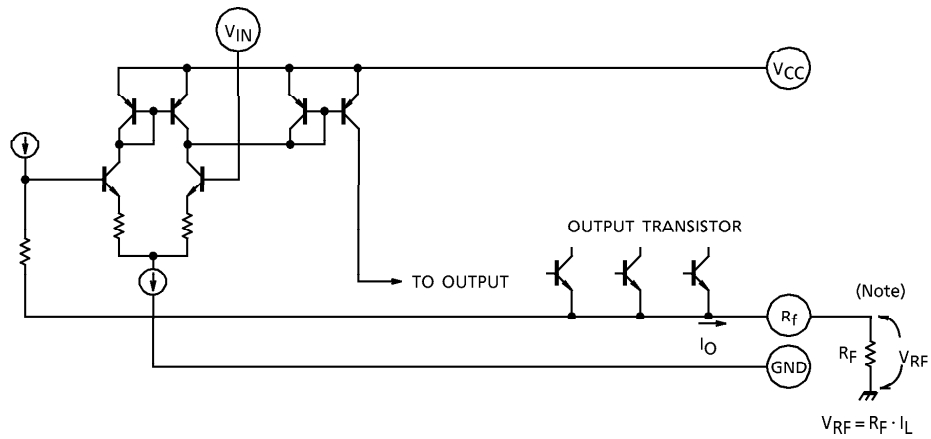


Pins ④ and ⑭ are NC.
Keep Pin ⑥ open.

PIN FUNCTION

PIN No.	SYMBOL	FUNCTIONAL
1	V _{CC}	Supply voltage input pin
2	L _a	a-phase drive output pin
3	R _F	Output current detecting pin
4	N.C.	N.C. pin
5	V _{IN}	Control amp positive input pin
6	V _{ref}	Control amp reference voltage output pin
7	H _a +	a-phase Hall amp positive input pin
8	H _a -	a-phase Hall amp negative input pin
9	H _b +	b-phase Hall amp positive input pin
10	H _b -	b-phase Hall amp negative input pin
11	H _c +	c-phase Hall amp positive input pin
12	H _c -	c-phase Hall amp negative input pin
13	R _F	Output current detecting pin
14	N.C.	N.C. pin
15	L _c	c-phase drive output pin
16	L _b	b-phase drive output pin
F	FIN	(Connect to GND)

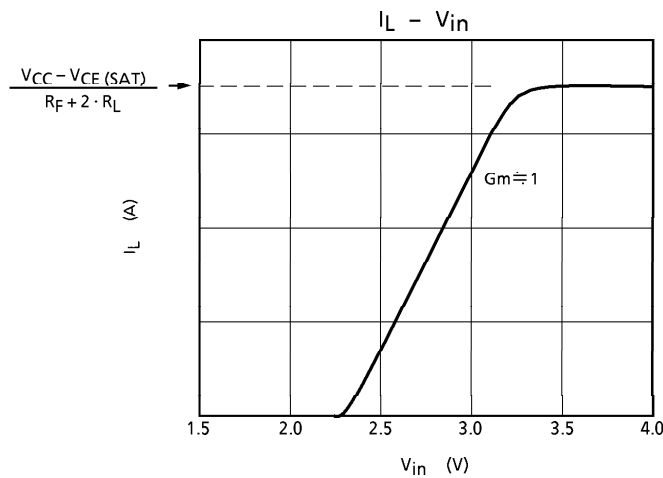
1. Control input circuit



Feedback circuit of output currents is built into IC, that is, the voltage feedback is proportional to the output current in R_f .

(Note) The common impedance inside IC is taken into consideration in providing two R_f terminals. Short two pins (③ and ⑬) in using them.

INPUT / OUTPUT CHARACTERISTICS



R_L : Output coil resistance
 $V_{CE(SAT)}$: Output transistor saturation voltage (upper / lower total)

MAXIMUM RATINGS (Ta = 25°C)

CHARACTERISTIC	SYMBOL	RATING	UNIT
Supply Voltage	V _{CC}	18	V
Output Current	I _O (MAX.)	0.7	A
Power Dissipation	P _D	(Note 1) 0.9	W
		(Note 2) 8.3	
Operating Temperature	T _{opr}	- 30~75	°C
Storage Temperature	T _{stg}	- 55~150	°C

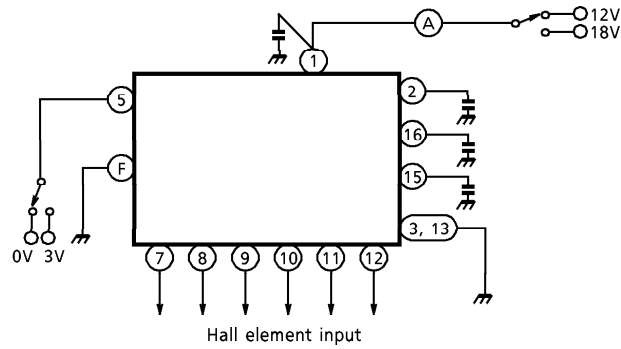
(Note 1) Single body

(Note 2) Infinite heat sink mounting

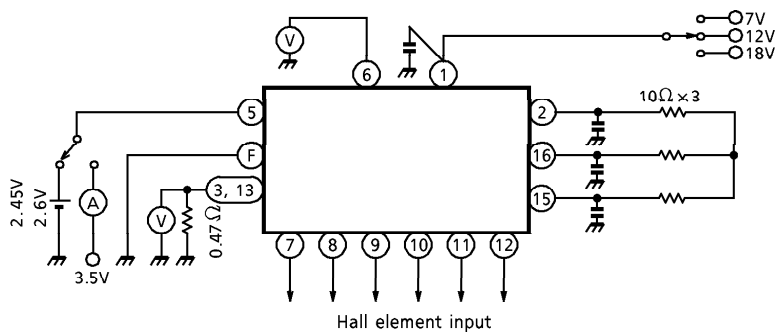
ELECTRICAL CHARACTERISTICS (V_{CC} = 12V, Ta = 25°C)

CHARACTERISTIC		SYMBOL	TEST CIR-CUIT	TEST CONDITIONS	MIN.	TYP.	MAX.	UNIT
Supply Current		I _{CC1}	1	Output open, V _{IN} = 0V	1.5	3.0	4.5	mA
		I _{CC2}		Output open, V _{IN} = 3V	18	50	95	
		I _{CC3}		Output open, V _{CC} = 18V, V _{IN} = 3V	18	55	110	
Control Amp	Reference Voltage	V _{ref}	2		2.25	2.35	2.45	V
	Control Gain	G _m		R _F = 0.47Ω, V _{IN} = 2.45V / 2.6V	—	1.0	—	A / V
	Input Current	I _{in}		V _{IN} = 3.5V	—	2.5	10	μA
	Reference Voltage Ripple Compression Rate	R _r		V _{CC} = 7V / 18V	- 53	- 64	—	dB
Leak Current	Upper Side	I _{OL} (U)	3	V _{CC} = 18V	—	—	50	μA
	Lower Side	I _{OL} (L)		V _{CC} = 18V	—	—	50	
Saturation Voltage	Upper Side	V _{sat} (U)	4	I _L = 0.7A	—	1.2	1.6	V
	Lower Side	V _{sat} (L)		I _L = 0.7A	—	0.5	0.85	
Residual Output Voltage		V _{OR}	2	V _{IN} = 0V	—	0	12	mV
Hall Amp	Difference Input Voltage Range	V _H	6		30	—	200	mV _{p-p}
	Common-Mode Input Voltage Range	V _{CMRH}	5		2.0	—	V _{CC} - 3	V
Thermal Shutdown Operating Temperature		TSD	—		—	175	—	°C

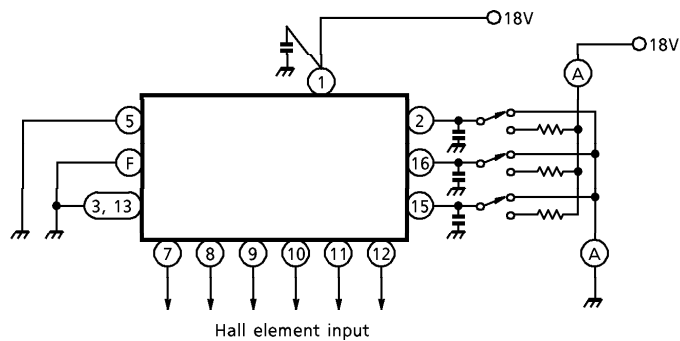
TEST CIRCUIT 1 I_{CC1} , I_{CC2} , I_{CC3}



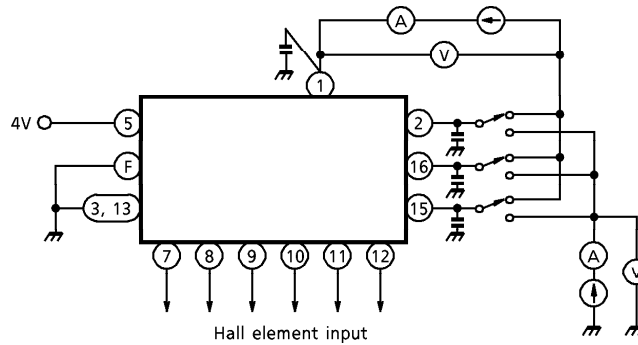
TEST CIRCUIT 2 V_{ref} , G_V , I_{in} , R_r , V_{or}



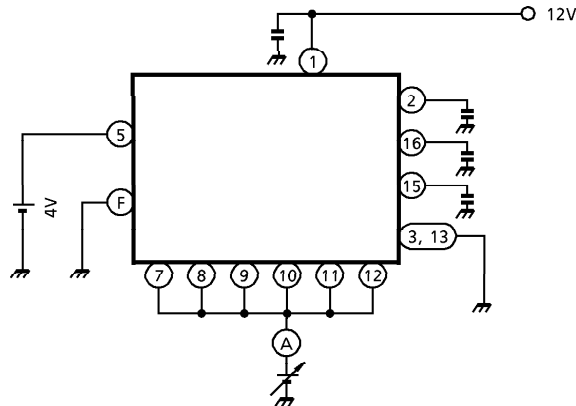
TEST CIRCUIT 3 $I_{OL(U)}$, $I_{OL(L)}$



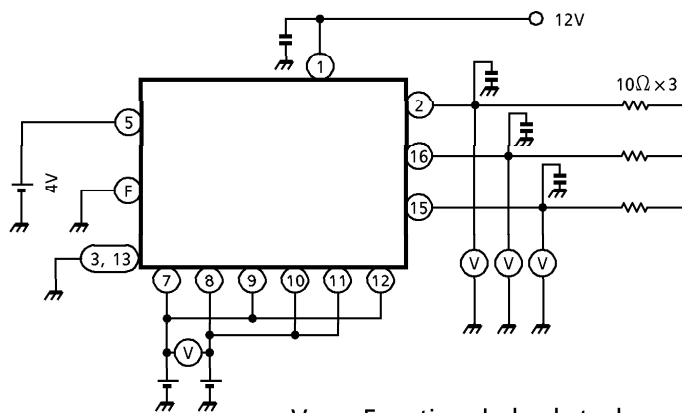
TEST CIRCUIT 4 $V_{sat}(U)$, $V_{sat}(L)$



TEST CIRCUIT 5 V_{CMRH}



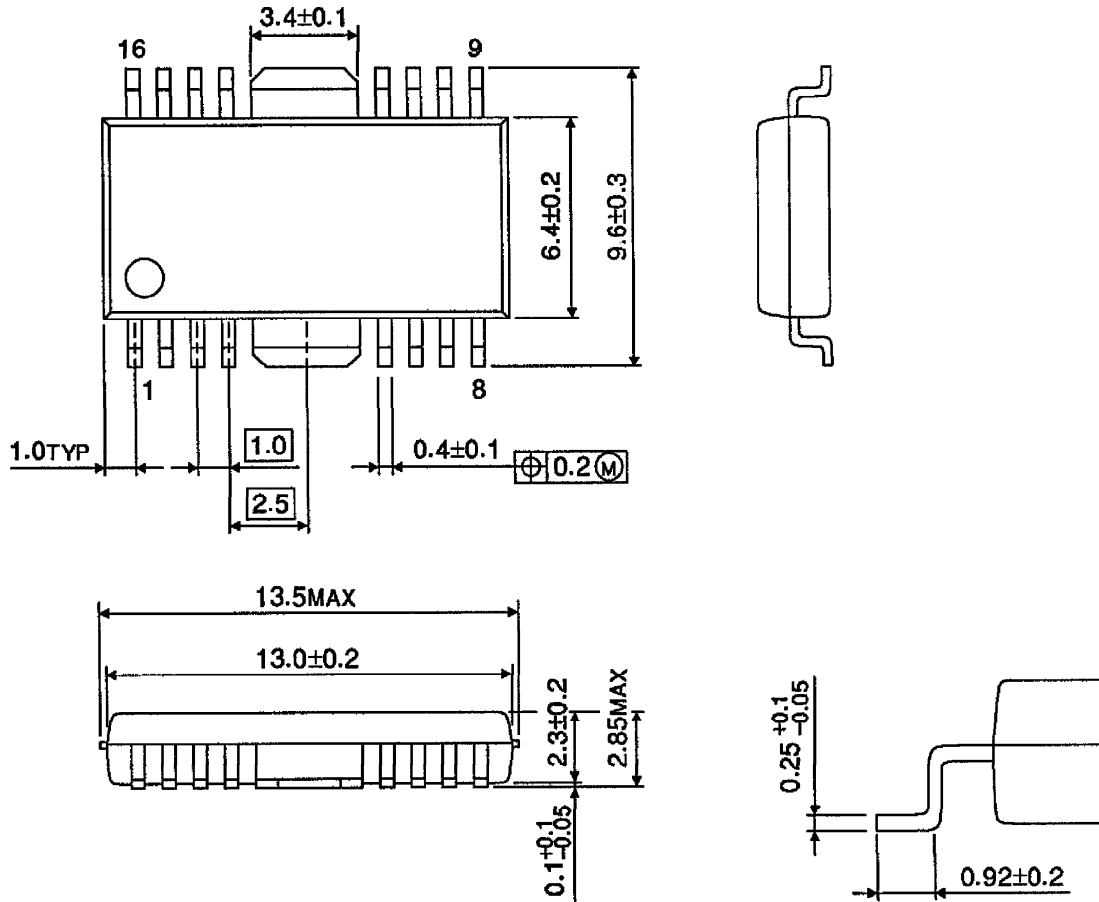
TEST CIRCUIT 6 V_H



V_H : Functional check to be made at $30mV_{p-p} / 200mV_{p-p}$.

OUTLINE DRAWING
HSOP16-P-300-1.00

Unit : mm



Weight : 0.50g (Typ.)