

**20A/10A, 12V, 0.060/0.140 Ohm, Logic Level, Complementary Power MOSFET**

These complementary power MOSFETs are manufactured using an advanced MegaFET process. This process, which uses feature sizes approaching those of LSI integrated circuits, gives optimum utilization of silicon, resulting in outstanding performance. It is designed for use in applications such as switching regulators, switching converters, motor drivers, relay drivers, and low voltage bus switches. This product achieves full rated conduction at a gate bias in the 3V to 5V range, thereby facilitating true on-off power control directly from logic level (5V) integrated circuits.

Formerly developmental type TA49092.

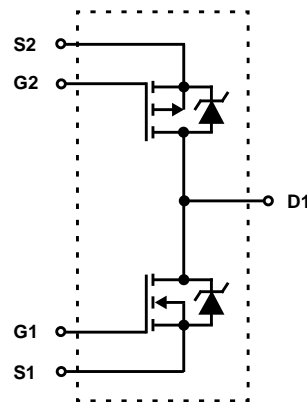
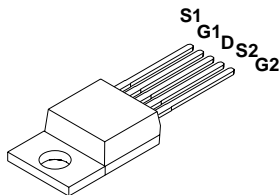
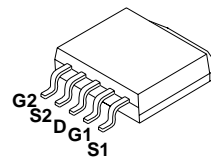
**Ordering Information**

PART NUMBER	PACKAGE	BRAND
RF3V49092	TS-001AA	F3V49092
RF3S49092SM	MO-169AB	F3S49092

NOTE: When ordering, use the entire part number. For ordering the MO-169AB in tape and reel, add the suffix 9A to the part number, i.e., RF3S49092SM9A.

**Features**

- 20A, 12V (N-Channel)  
10A, 12V (P-Channel)
- $r_{DS(ON)} = 0.060\Omega$  (N-Channel)  
 $r_{DS(ON)} = 0.140\Omega$  (P-Channel)
- Temperature Compensating PSPICE® Model
- On-Resistance vs Gate Drive Voltage Curves
- Peak Current vs Pulse Width Curve
- UIS Rating Curve

**Symbol**

**Packaging**
**JEDEC TS-001AA (ALTERNATE)**

**JEDEC MO-169AB**


## RF3V49092, RF3S49092SM

### Absolute Maximum Ratings $T_C = 25^\circ\text{C}$ Unless Otherwise Specified

	N-CHANNEL	P-CHANNEL	UNITS	
Drain to Source Voltage (Note 1) . . . . .	$V_{DSS}$	12	-12	V
Drain to Gate Voltage ( $R_{GS} = 20k\Omega$ , Note 1) . . . . .	$V_{DGR}$	12	-12	V
Gate to Source Voltage . . . . .	$V_{GS}$	$\pm 10$	$\pm 10$	V
Drain Current				A
Continuous . . . . .	$I_D$	20	10	
Pulsed (Figures 5, 26) . . . . .	$I_{DM}$	Refer to Peak Current Curve	Refer to Peak Current Curve	
Pulsed Avalanche Rating (Figures 6, 27) . . . . .	$E_{AS}$	Refer to UIS Curve	Refer to UIS Curve	
Power Dissipation				W
$T_C = 25^\circ\text{C}$ . . . . .	$P_D$	50	50	
Derate Above $25^\circ\text{C}$ . . . . .		0.33	0.33	W/ $^\circ\text{C}$
Operating and Storage Temperature . . . . .	$T_J, T_{STG}$	-55 to 175	-55 to 175	$^\circ\text{C}$
Maximum Temperature for Soldering				$^\circ\text{C}$
Leads at 0.063in (1.6mm) from Case for 10s . . . . .	$T_L$	300	300	
Package Body for 10s, See Techbrief 334 . . . . .	$T_{pkg}$	260	260	$^\circ\text{C}$

CAUTION: Stresses above those listed in "Absolute Maximum Ratings" may cause permanent damage to the device. This is a stress only rating and operation of the device at these or any other conditions above those indicated in the operational sections of this specification is not implied.

NOTE:

- $T_J = 25^\circ\text{C}$  to  $150^\circ\text{C}$ .

### Electrical Specifications (N-Channel) $T_C = 25^\circ\text{C}$ , Unless Otherwise Specified

PARAMETER	SYMBOL	TEST CONDITIONS	MIN	TYP	MAX	UNITS	
Drain to Source Breakdown Voltage	$BV_{DSS}$	$I_D = 250\mu\text{A}, V_{GS} = 0\text{V}$ , (Figure 13)	12	-	-	V	
Gate Threshold Voltage	$V_{GS(TH)}$	$V_{GS} = V_{DS}, I_D = 250\mu\text{A}$ , (Figure 12)	1	-	-	V	
Zero Gate Voltage Drain Current	$I_{DSS}$	$V_{DS} = 12\text{V}, V_{GS} = 0\text{V}$	$T_C = 25^\circ\text{C}$	-	-	1	$\mu\text{A}$
			$T_C = 150^\circ\text{C}$	-	-	50	$\mu\text{A}$
Gate to Source Leakage Current	$I_{GSS}$	$V_{GS} = \pm 10\text{V}$	-	-	$\pm 100$	nA	
Drain to Source On Resistance	$r_{DS(ON)}$	$I_D = 20\text{A}, V_{GS} = 5\text{V}$ , (Figure 9, 11)	-	-	0.060	$\Omega$	
Turn-On Time	$t_{ON}$	$V_{DD} = 6\text{V}, I_D \approx 20\text{A}, R_L = 0.24\Omega, V_{GS} = 5\text{V}, R_{GS} = 25\Omega$ (Figure 10)	-	-	100	ns	
Turn-On Delay Time	$t_{d(ON)}$		-	18	-	ns	
Rise Time	$t_r$		-	60	-	ns	
Turn-Off Delay Time	$t_{d(OFF)}$		-	50	-	ns	
Fall Time	$t_f$		-	60	-	ns	
Turn-Off Time	$t_{OFF}$		-	-	140	ns	
Total Gate Charge	$Q_{g(TOT)}$		$V_{GS} = 0\text{V to } 10\text{V}$	-	20	25	nC
Gate Charge at 5V	$Q_{g(5)}$	$V_{GS} = 0\text{V to } 5\text{V}$	-	12	15	nC	
Threshold Gate Charge	$Q_{g(TH)}$	$V_{GS} = 0\text{V to } 1\text{V}$	-	0.9	1.2	nC	
Input Capacitance	$C_{ISS}$	$V_{DS} = 10\text{V}, V_{GS} = 0\text{V}, f = 1\text{MHz}$ (Figure 14)	-	750	-	pF	
Output Capacitance	$C_{OSS}$		-	700	-	pF	
Reverse Transfer Capacitance	$C_{RSS}$		-	275	-	pF	
Thermal Resistance Junction to Case	$R_{\theta JC}$		-	-	3.00	$^\circ\text{C/W}$	
Thermal Resistance Junction to Ambient	$R_{\theta JA}$	TS-001AA, and MO-169AB	-	-	62	$^\circ\text{C/W}$	

### N-Channel Source to Drain Diode Specifications

PARAMETER	SYMBOL	TEST CONDITIONS	MIN	TYP	MAX	UNITS
Source to Drain Voltage	$V_{SD}$	$I_{SD} = 20\text{A}$	-	-	1.5	V
Reverse Recovery Time	$t_{rr}$	$I_{SD} = 20\text{A}, dI_{SD}/dt = 100\text{A}/\mu\text{s}$	-	-	100	ns

**Electrical Specifications (P-Channel)**  $T_C = 25^\circ\text{C}$ , Unless Otherwise Specified

PARAMETER	SYMBOL	TEST CONDITIONS	MIN	TYP	MAX	UNITS	
Drain to Source Breakdown Voltage	$BV_{DSS}$	$I_D = 250\mu\text{A}$ , $V_{GS} = 0\text{V}$ , (Figure 34)	-12	-	-	V	
Gate Threshold Voltage	$V_{GS(TH)}$	$V_{GS} = V_{DS}$ , $I_D = 250\mu\text{A}$ , (Figure 33)	-1	-	-	V	
Zero Gate Voltage Drain Current	$I_{DSS}$	$V_{DS} = -12\text{V}$ , $V_{GS} = 0\text{V}$	$T_C = 25^\circ\text{C}$	-	-	-1	$\mu\text{A}$
			$T_C = 150^\circ\text{C}$	-	-	-50	$\mu\text{A}$
Gate to Source Leakage Current	$I_{GSS}$	$V_{GS} = \pm 10\text{V}$	-	-	$\pm 100$	nA	
Drain to Source On Resistance	$r_{DS(ON)}$	$I_D = 10\text{A}$ , $V_{GS} = -5\text{V}$ , (Figures 30, 32)	-	-	0.140	$\Omega$	
Turn-On Time	$t_{ON}$	$V_{DD} = -6\text{V}$ , $I_D \approx 10\text{A}$ , $R_L = 0.62\Omega$ , $V_{GS} = -5\text{V}$ , $R_{GS} = 25\Omega$ (Figure 31)	-	-	115	ns	
Turn-On Delay Time	$t_{d(ON)}$		-	25	-	ns	
Rise Time	$t_r$		-	65	-	ns	
Turn-Off Delay Time	$t_{d(OFF)}$		-	40	-	ns	
Fall Time	$t_f$		-	45	-	ns	
Turn-Off Time	$t_{OFF}$		-	-	110	ns	
Total Gate Charge	$Q_{g(TOT)}$		$V_{GS} = 0\text{V to } -10\text{V}$	$V_{DD} = -9.6\text{V}$ , $I_D = 10\text{A}$ , $R_L = 1.0\Omega$ (Figure 36)	-	19	24
Gate Charge at -5V	$Q_{g(-5)}$	$V_{GS} = 0\text{V to } -5\text{V}$	-		10	14	nC
Threshold Gate Charge	$Q_{g(TH)}$	$V_{GS} = 0\text{V to } -1\text{V}$	-		0.8	1.1	nC
Input Capacitance	$C_{ISS}$	$V_{DS} = -10\text{V}$ , $V_{GS} = 0\text{V}$ , $f = 1\text{MHz}$ (Figure 35)	-	775	-	pF	
Output Capacitance	$C_{OSS}$		-	550	-	pF	
Reverse Transfer Capacitance	$C_{RSS}$		-	150	-	pF	
Thermal Resistance Junction to Case	$R_{\theta JC}$		-	-	3.00	$^\circ\text{C/W}$	
Thermal Resistance Junction to Ambient	$R_{\theta JA}$	TS-001AA, and MO-169AB	-	-	62	$^\circ\text{C/W}$	

**P-Channel Source to Drain Diode Specifications**

PARAMETER	SYMBOL	TEST CONDITIONS	MIN	TYP	MAX	UNITS
Source to Drain Voltage	$V_{SD}$	$I_{SD} = -10\text{A}$	-	-	-1.5	V
Reverse Recovery Time	$t_{rr}$	$I_{SD} = -10\text{A}$ , $dI_{SD}/dt = -100\text{A}/\mu\text{s}$	-	-	100	ns

**Typical Performance Curves (N-Channel)**

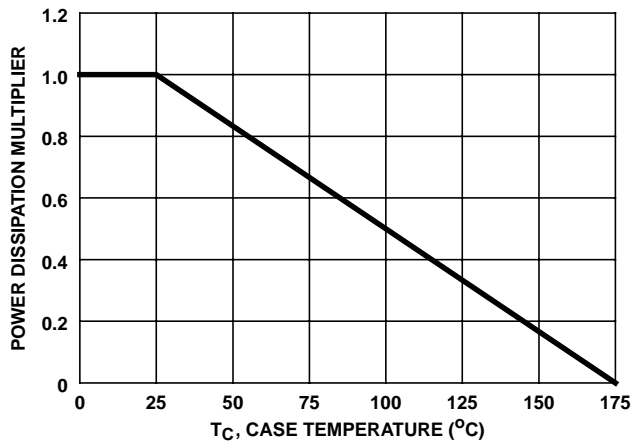


FIGURE 1. NORMALIZED POWER DISSIPATION vs CASE TEMPERATURE

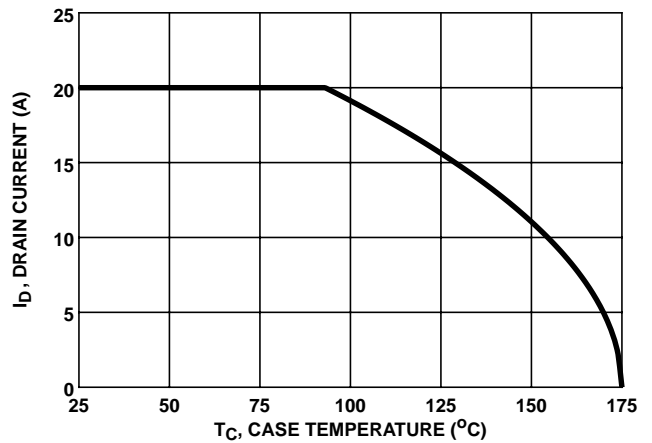


FIGURE 2. MAXIMUM CONTINUOUS DRAIN CURRENT vs CASE TEMPERATURE

Typical Performance Curves (N-Channel) (Continued)

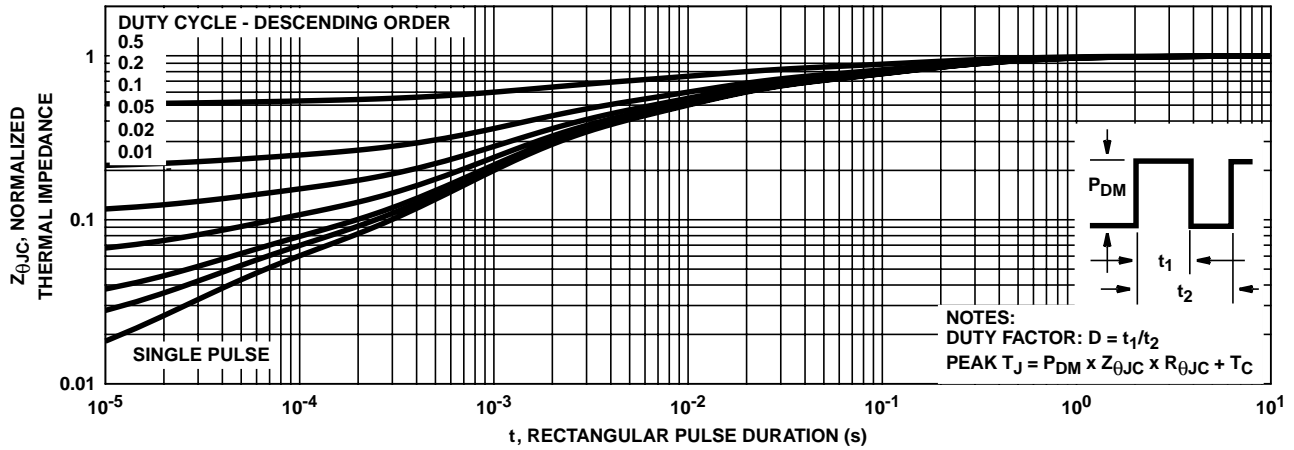


FIGURE 3. NORMALIZED MAXIMUM TRANSIENT THERMAL IMPEDANCE

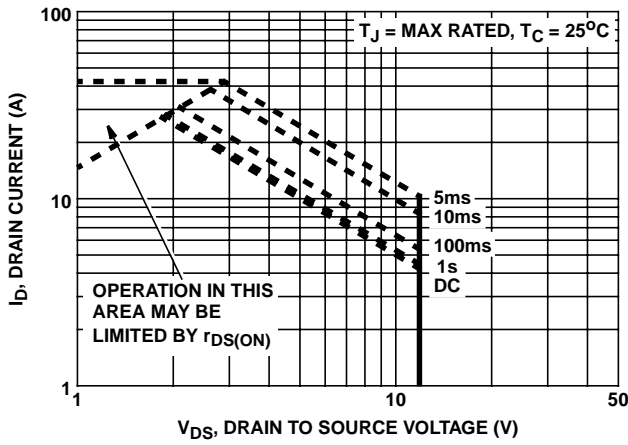


FIGURE 4. FORWARD BIAS SAFE OPERATING AREA

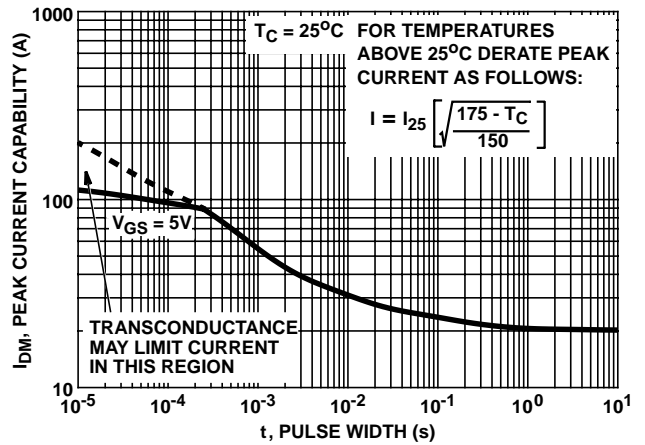
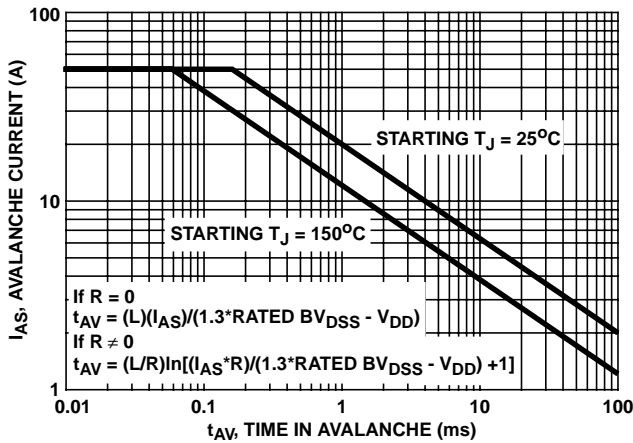


FIGURE 5. PEAK CURRENT CAPABILITY



NOTE: Refer to Intersil Application Notes AN9321 and AN9322.  
FIGURE 6. UNCLAMPED INDUCTIVE SWITCHING CAPABILITY

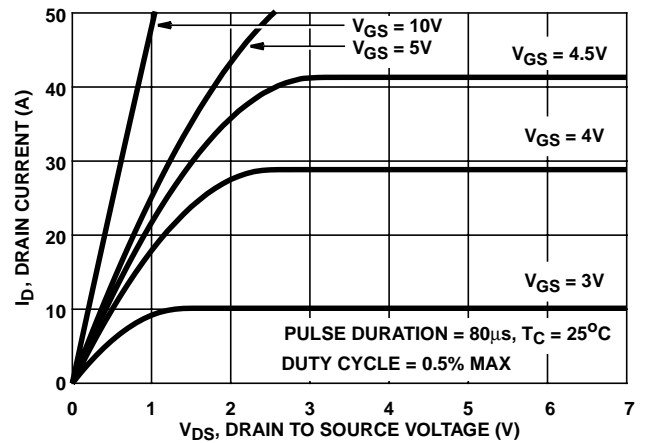


FIGURE 7. SATURATION CHARACTERISTICS

Typical Performance Curves (N-Channel) (Continued)

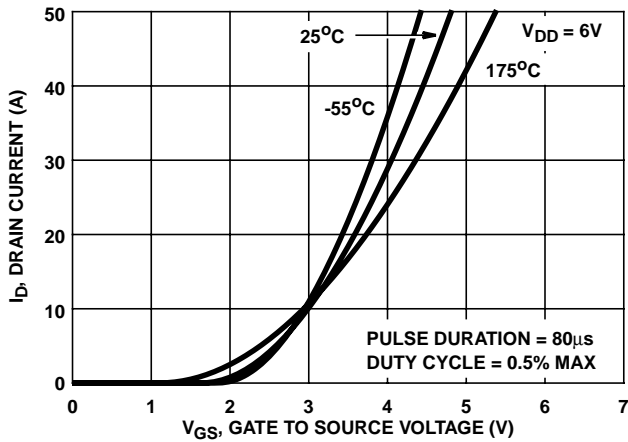


FIGURE 8. TRANSFER CHARACTERISTICS

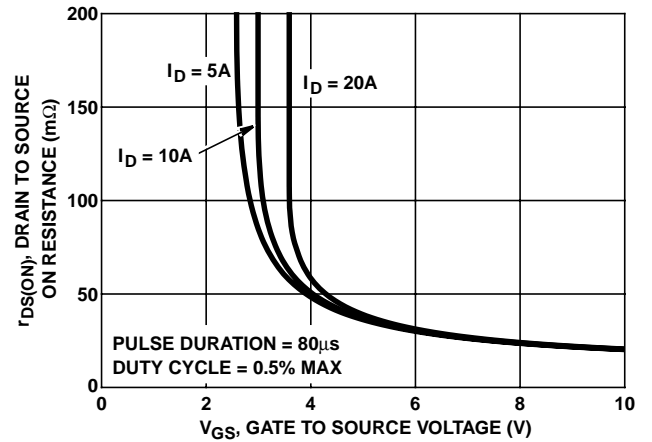


FIGURE 9. DRAIN TO SOURCE ON RESISTANCE vs GATE VOLTAGE AND DRAIN CURRENT

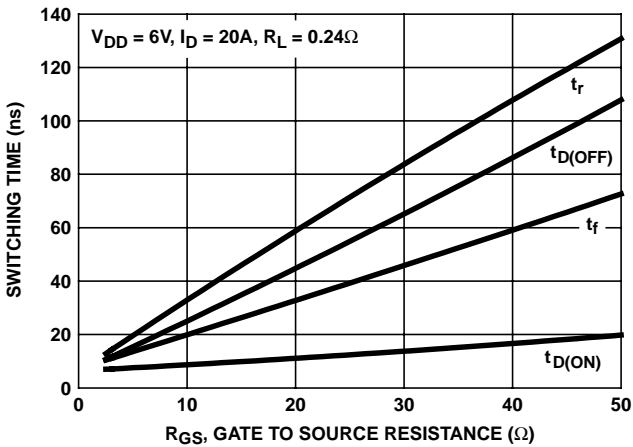


FIGURE 10. SWITCHING TIME vs GATE RESISTANCE

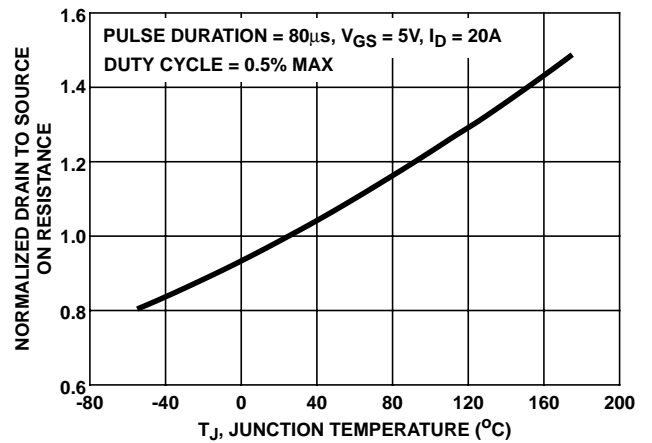


FIGURE 11. NORMALIZED DRAIN TO SOURCE ON RESISTANCE vs JUNCTION TEMPERATURE

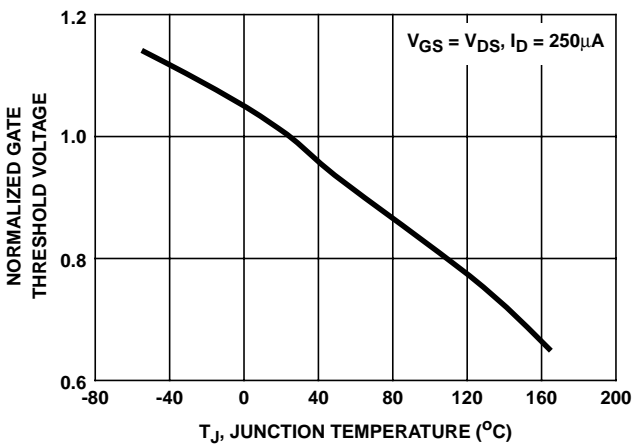


FIGURE 12. NORMALIZED GATE THRESHOLD VOLTAGE vs JUNCTION TEMPERATURE

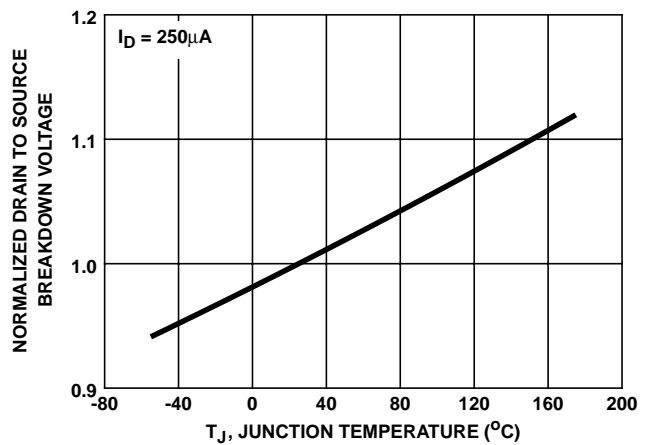


FIGURE 13. NORMALIZED DRAIN TO SOURCE BREAKDOWN VOLTAGE vs JUNCTION TEMPERATURE

Typical Performance Curves (N-Channel) (Continued)

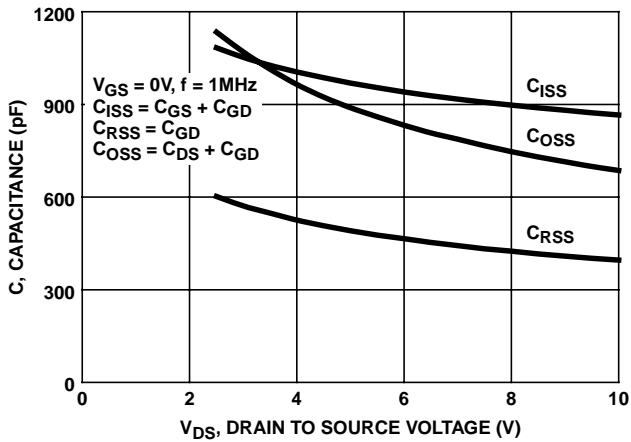
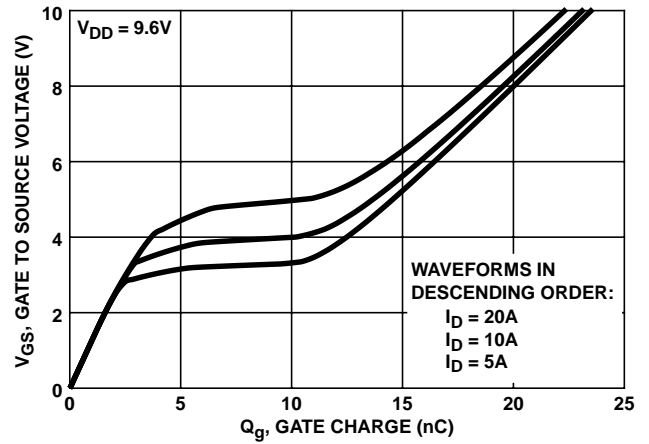


FIGURE 14. CAPACITANCE vs DRAIN TO SOURCE VOLTAGE



NOTE: Refer to Intersil Application Notes AN7254 and AN7260.

FIGURE 15. NORMALIZED SWITCHING WAVEFORMS FOR CONSTANT GATE CURRENT

Test Circuits and Waveforms (N-Channel)

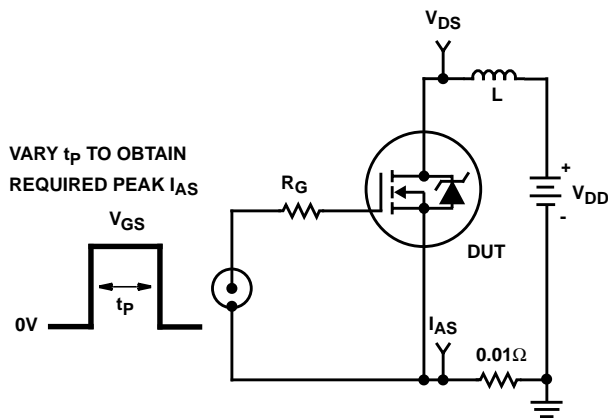


FIGURE 16. UNCLAMPED ENERGY TEST CIRCUIT

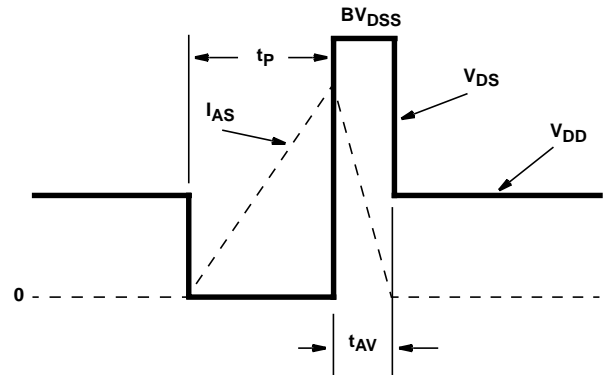


FIGURE 17. UNCLAMPED ENERGY WAVEFORMS

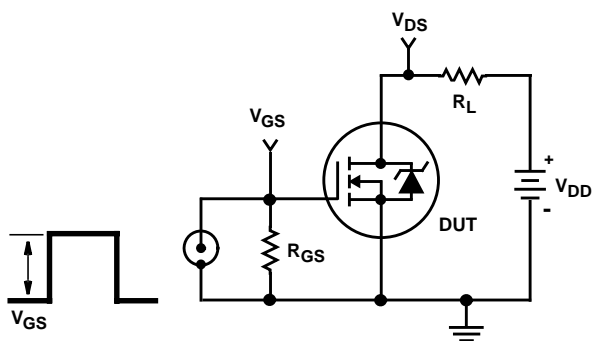


FIGURE 18. SWITCHING TIME TEST CIRCUIT

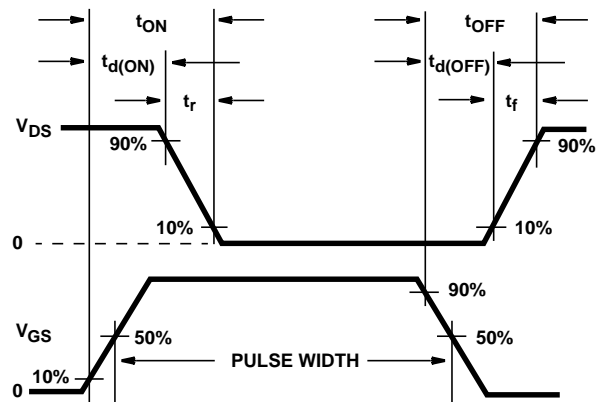


FIGURE 19. RESISTIVE SWITCHING WAVEFORMS

Test Circuits and Waveforms (N-Channel) (Continued)

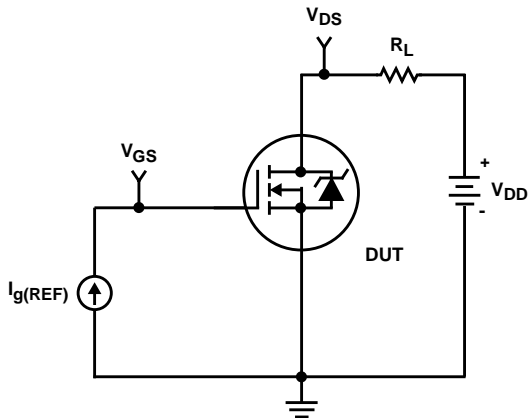


FIGURE 20. GATE CHARGE TEST CIRCUIT

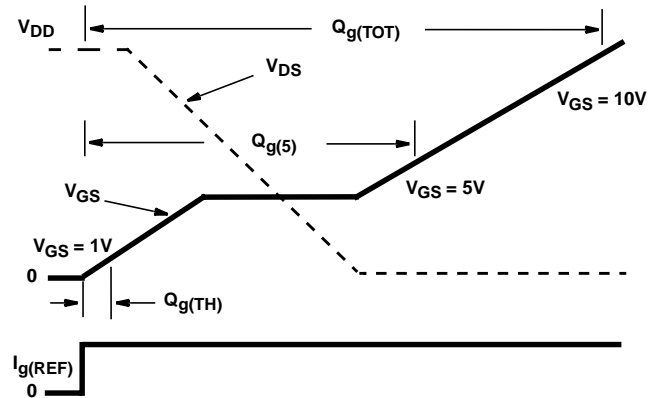


FIGURE 21. GATE CHARGE WAVEFORMS

Typical Performance Curves (P-Channel)

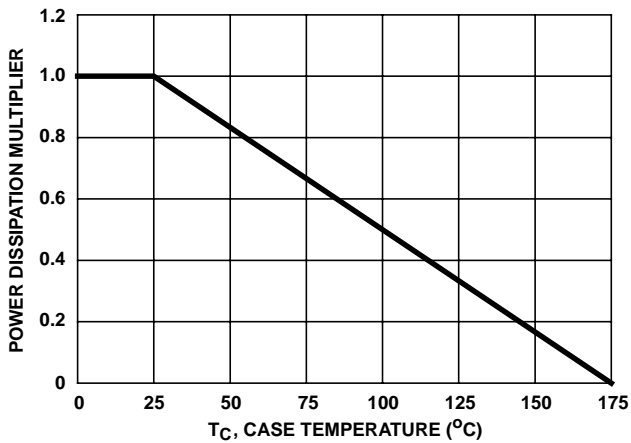


FIGURE 22. NORMALIZED POWER DISSIPATION vs CASE TEMPERATURE

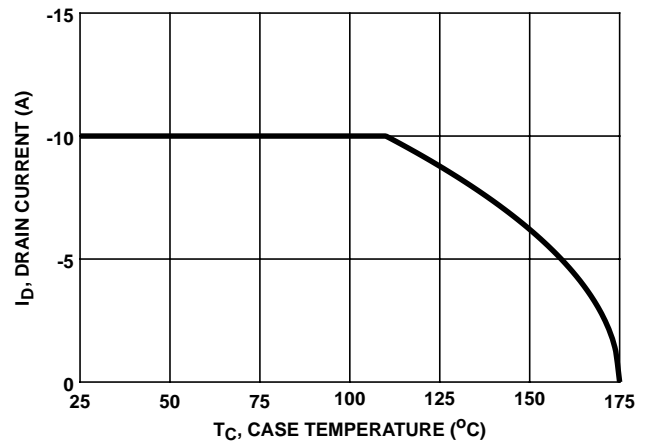


FIGURE 23. MAXIMUM CONTINUOUS DRAIN CURRENT vs CASE TEMPERATURE

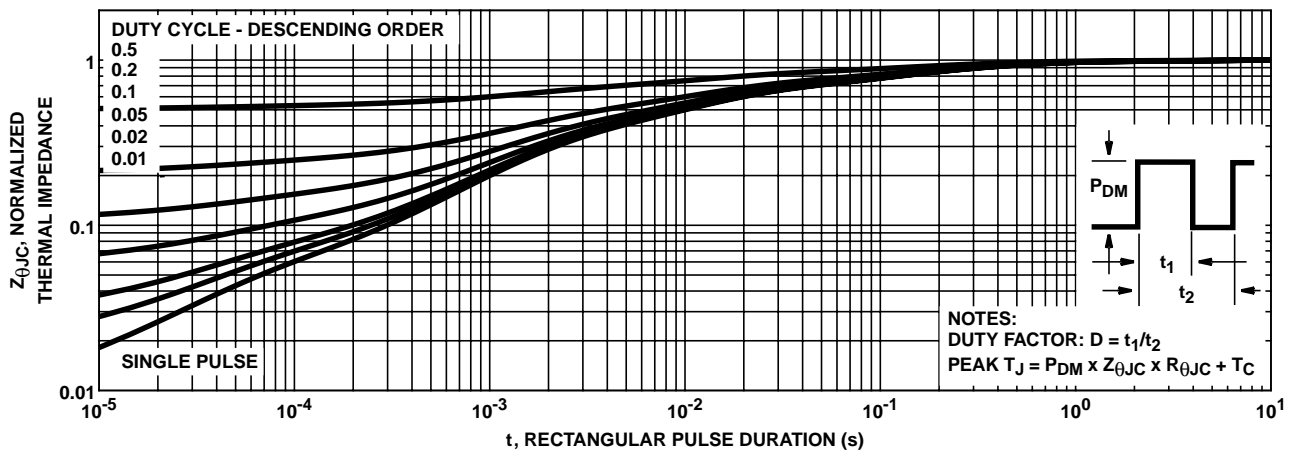


FIGURE 24. NORMALIZED MAXIMUM TRANSIENT THERMAL IMPEDANCE

Typical Performance Curves (P-Channel) (Continued)

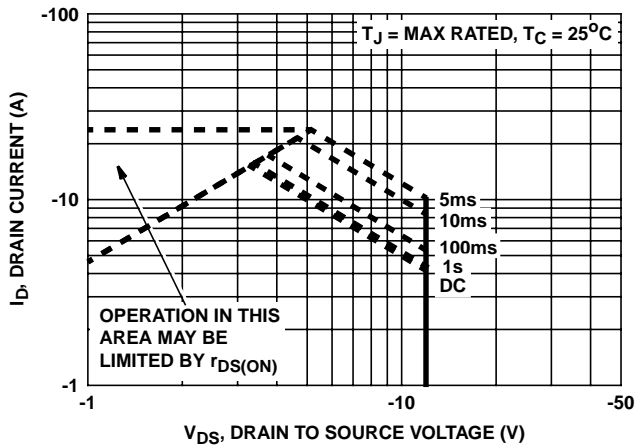


FIGURE 25. FORWARD BIAS SAFE OPERATING AREA

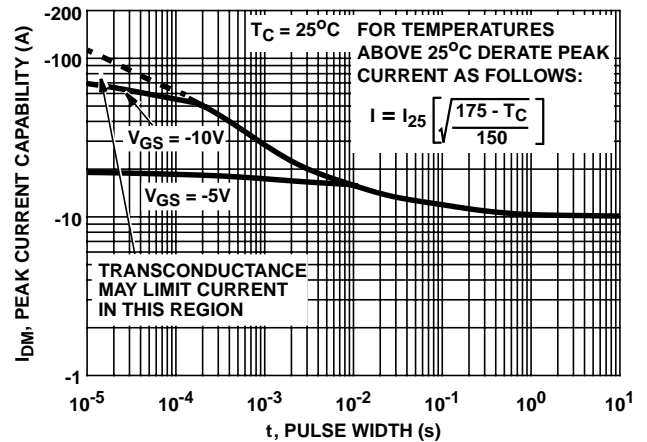
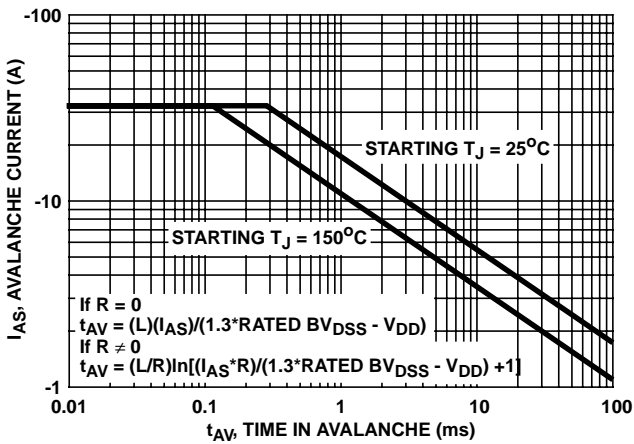


FIGURE 26. PEAK CURRENT CAPABILITY



NOTE: Refer to Intersil Application Notes AN9321 and AN9322.

FIGURE 27. UNCLAMPED INDUCTIVE SWITCHING CAPABILITY

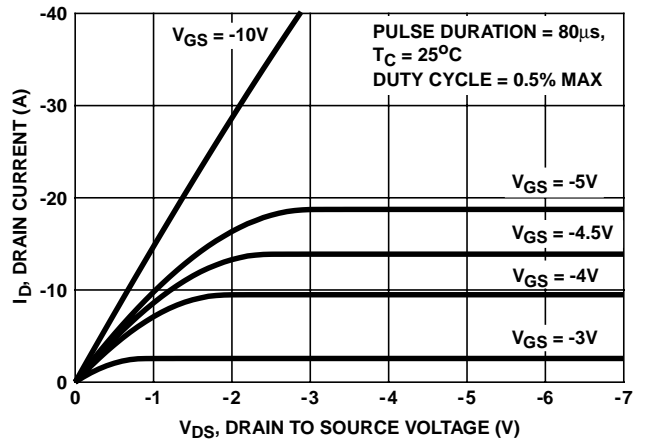


FIGURE 28. SATURATION CHARACTERISTICS

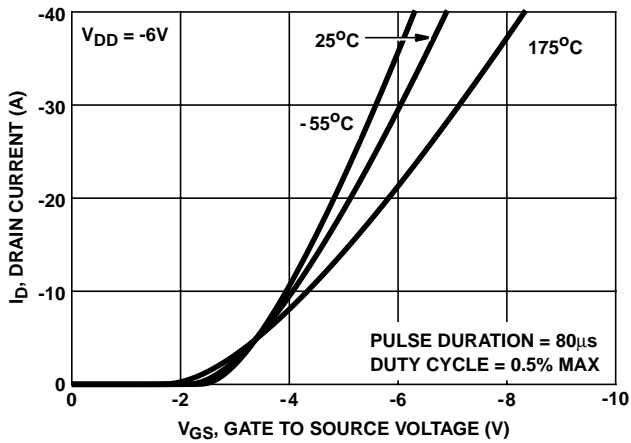


FIGURE 29. TRANSFER CHARACTERISTICS

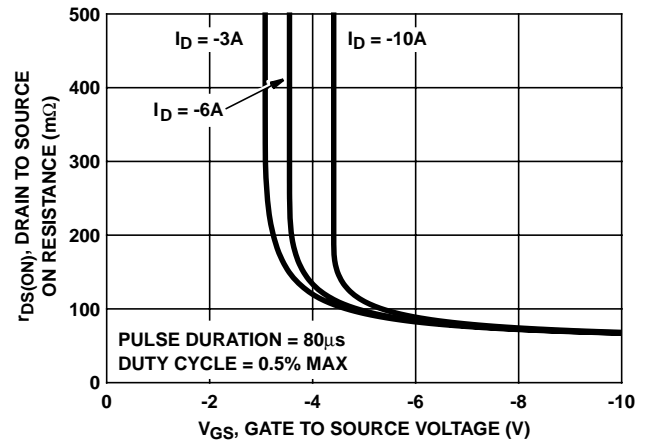


FIGURE 30. DRAIN TO SOURCE ON RESISTANCE vs GATE VOLTAGE AND DRAIN CURRENT



Typical Performance Curves (P-Channel) (Continued)

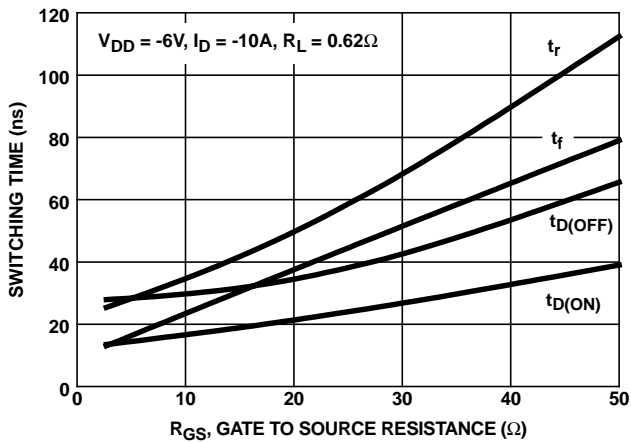


FIGURE 31. SWITCHING TIME AS A FUNCTION OF GATE RESISTANCE

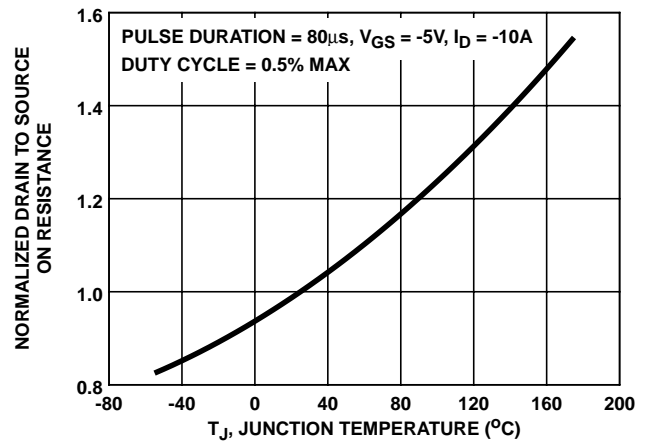


FIGURE 32. NORMALIZED DRAIN TO SOURCE ON RESISTANCE vs JUNCTION TEMPERATURE

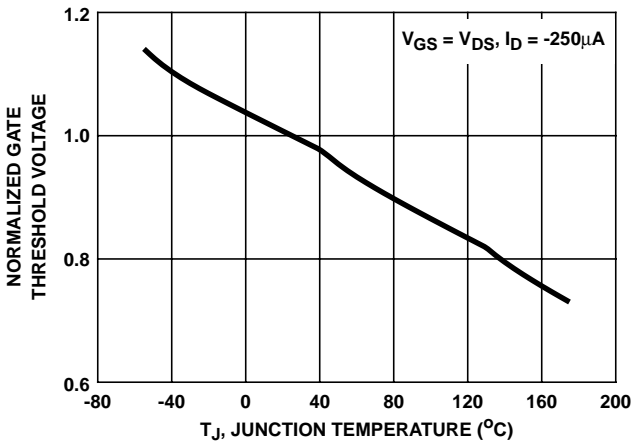


FIGURE 33. NORMALIZED GATE THRESHOLD VOLTAGE vs JUNCTION TEMPERATURE

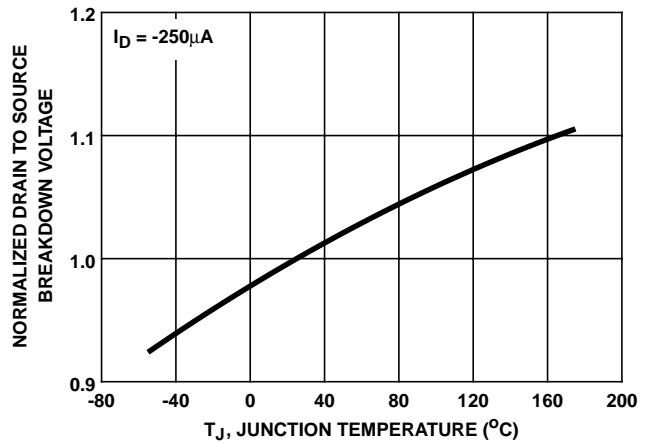


FIGURE 34. NORMALIZED DRAIN TO SOURCE BREAKDOWN VOLTAGE vs JUNCTION TEMPERATURE

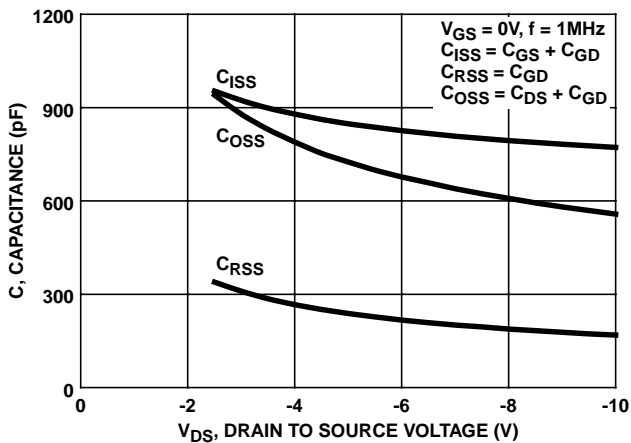
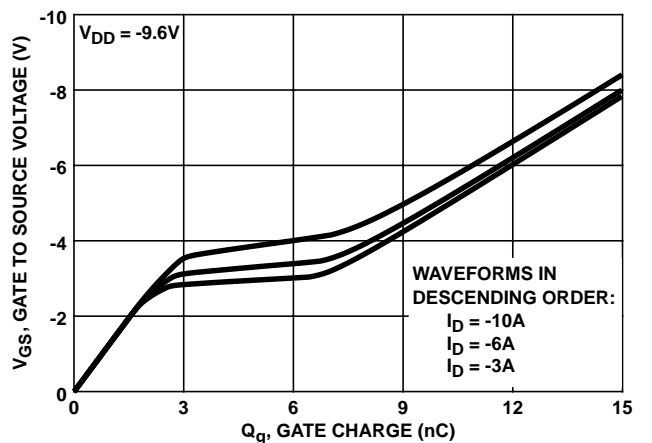


FIGURE 35. CAPACITANCE vs DRAIN TO SOURCE VOLTAGE



NOTE: Refer to Intersil Application Notes AN7254 and AN7260.

FIGURE 36. NORMALIZED SWITCHING WAVEFORMS FOR CONSTANT GATE CURRENT

Test Circuits and Waveforms (P-Channel)

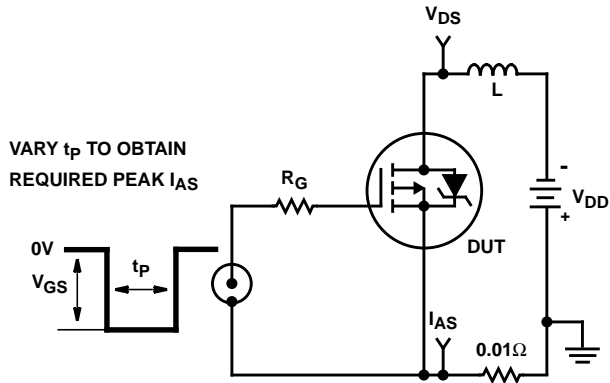


FIGURE 37. UNCLAMPED ENERGY TEST CIRCUIT

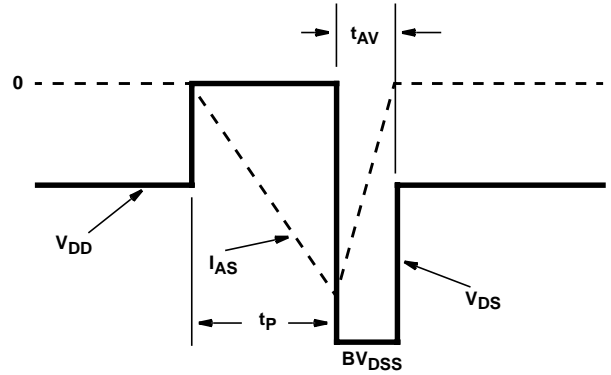


FIGURE 38. UNCLAMPED ENERGY WAVEFORMS

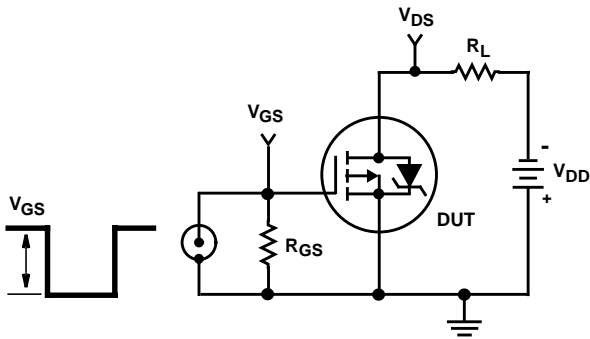


FIGURE 39. SWITCHING TIME TEST CIRCUIT

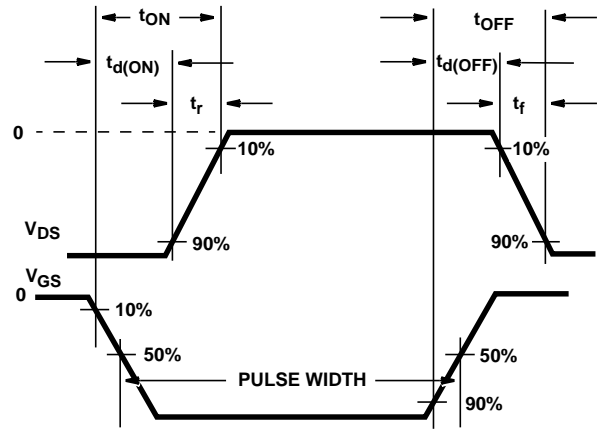


FIGURE 40. RESISTIVE SWITCHING WAVEFORMS

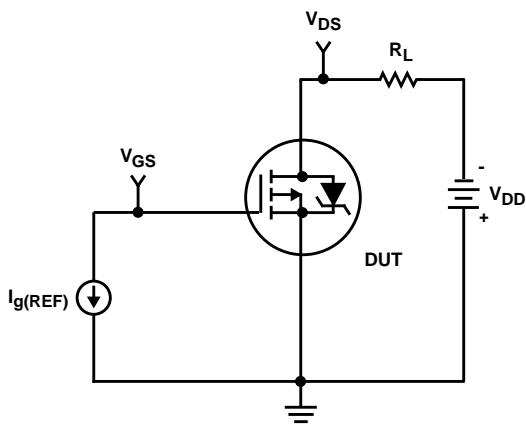


FIGURE 41. GATE CHARGE TEST CIRCUIT

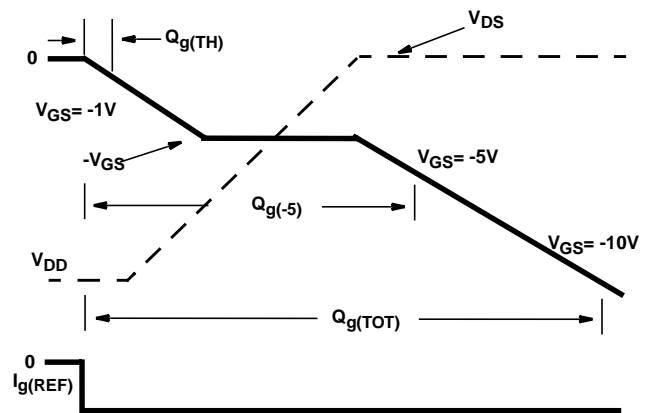


FIGURE 42. GATE CHARGE WAVEFORMS

## **Soldering Precautions**

The soldering process creates a considerable thermal stress on any semiconductor component. The melting temperature of solder is higher than the maximum rated temperature of the device. The amount of time the device is heated to a high temperature should be minimized to assure device reliability. Therefore, the following precautions should always be observed in order to minimize the thermal stress to which the devices are subjected.

1. Always preheat the device.
2. The delta temperature between the preheat and soldering should always be less than 100°C. Failure to preheat the device can result in excessive thermal stress which can damage the device.
3. The maximum temperature gradient should be less than 5°C per second when changing from preheating to soldering.
4. The peak temperature in the soldering process should be at least 30°C higher than the melting point of the solder chosen.
5. The maximum soldering temperature and time must not exceed 260°C for 10 seconds on the leads and case of the device.
6. After soldering is complete, the device should be allowed to cool naturally for at least three minutes, as forced cooling will increase the temperature gradient and may result in latent failure due to mechanical stress.
7. During cooling, mechanical stress or shock should be avoided.

**PSPICE Electrical Model**

SUBCKT RF3V49092 2 1 3; N-Channel Model rev 9/6/94

CA 12 8 9.77e-10  
 CB 15 14 9.19e-10  
 CIN 6 8 7.81e-10

DBODY 7 5 DBDMOD  
 DBREAK 5 11 DBKMOD  
 DPLCAP 10 5 DPLCAPMOD

EBREAK 11 7 17 18 14.89  
 EDS 14 8 5 8 1  
 EGS 13 8 6 8 1  
 ESG 6 10 6 8 1  
 EVTO 20 6 18 8 1

IT 8 17 1

LDRAIN 2 5 1e-9  
 LGATE 1 9 1.233e-9  
 LSOURCE 3 7 0.452e-9

MOS1 16 6 8 8 MOSMOD M = 0.99  
 MOS2 16 21 8 8 MOSMOD M = 0.01

RBREAK 17 18 RBKMOD 1  
 RDRAIN 5 16 RDSMOD 4.91e-3  
 RGATE 9 20 2.74  
 RIN 6 8 1e9  
 RSOURCE 8 7 RDSMOD 5e-3  
 RVTO 18 19 RVTOMOD 1

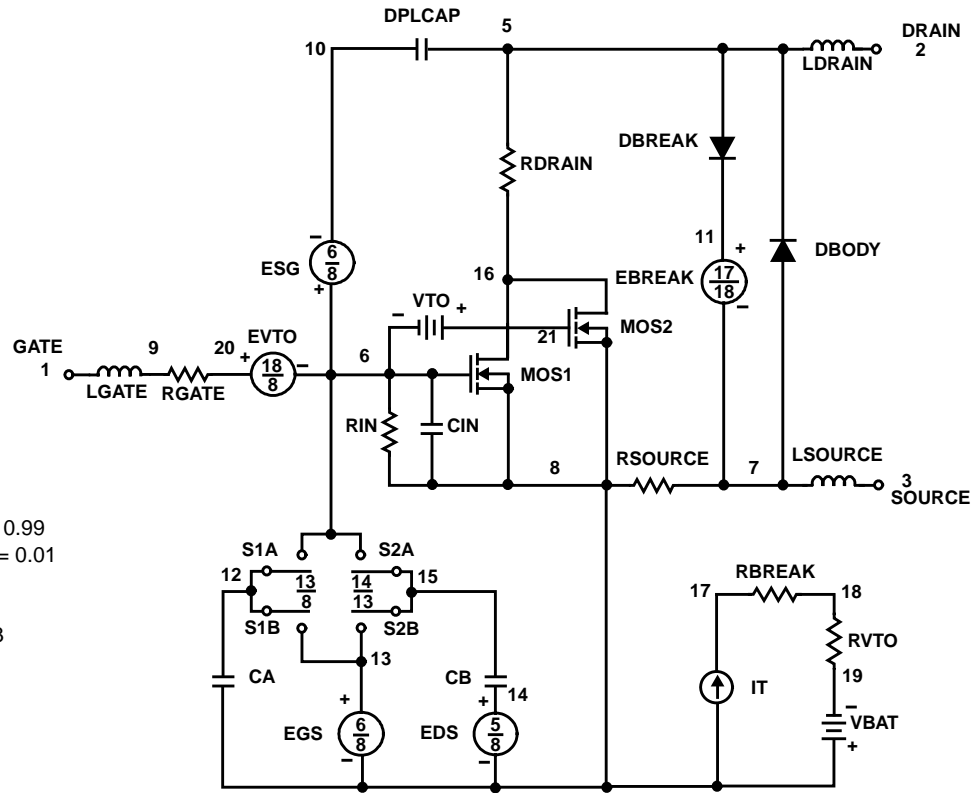
S1A 6 12 13 8 S1AMOD  
 S1B 13 12 13 8 S1BMOD  
 S2A 6 15 14 13 S2AMOD  
 S2B 13 15 14 13 S2BMOD

VBAT 8 19 DC 1  
 VTO 21 6 0.3215

.MODEL DBDMOD D (IS = 7.00e-13 RS = 2.15e-2 TRS1 = 0.5e-3 TRS2 = 3.68e-6 CJO = 1.28e-9 TT = 1.8e-8)  
 .MODEL DBKMOD D (RS = 1.28e-1 TRS1 = 1.69e-3 TRS2 = -2.0e-6)  
 .MODEL DPLCAPMOD D (CJO = 0.84e-9 IS = 1e-30 N = 10)  
 .MODEL MOSMOD NMOS (VTO = 1.63 KP = 11.55 IS = 1e-30 N = 10 TOX = 1 L = 1u W = 1u)  
 .MODEL RBKMOD RES (TC1 = 9.15e-4 TC2 = 3.13e-7)  
 .MODEL RDSMOD RES (TC1 = 7.00e-4 TC2 = 5.00e-6)  
 .MODEL RVTOMOD RES (TC1 = -2.155e-3 TC2 = -2.7e-6)  
 .MODEL S1AMOD VSWITCH (RON = 1e-5 ROFF = 0.1 VON = -6.05 VOFF = -4.05)  
 .MODEL S1BMOD VSWITCH (RON = 1e-5 ROFF = 0.1 VON = -4.05 VOFF = -6.05)  
 .MODEL S2AMOD VSWITCH (RON = 1e-5 ROFF = 0.1 VON = -0.72 VOFF = 4.28)  
 .MODEL S2BMOD VSWITCH (RON = 1e-5 ROFF = 0.1 VON = 4.28 VOFF = -0.72)

.ENDS

NOTE: For further discussion of the PSPICE model, consult **A New PSPICE Sub-circuit for the Power MOSFET Featuring Global Temperature Options**; IEEE Power Electronics Specialist Conference Records, 1991.



**PSPICE Electrical Model**

SUBCKT RF3V49092 2 1 3 ; P-Channel Model rev 11/8/94

CA 12 8 8.75e-10  
 CB 15 14 8.65e-10  
 CIN 6 8 7.65e-10

DBODY 5 7 DBDMOD  
 DBREAK 7 11 DBKMOD  
 DPLCAP 10 6 DPLCAPMOD

EBREAK 5 11 17 18 -23.75  
 EDS 14 8 5 8 1  
 EGS 13 8 6 8 1  
 ESG 5 10 8 6 1  
 EVTO 20 6 8 18 1

IT 8 17 1

LDRAIN 2 5 1e-9  
 LGATE 1 9 1.233e-9  
 LSOURCE 3 7 0.452e-9

MOS1 16 6 8 8 MOSMOD M = 0.99  
 MOS2 16 21 8 8 MOSMOD M = 0.01

RBREAK 17 18 RBKMOD 1  
 RDRAIN 5 16 RDSMOD 7.36e-3  
 RGATE 9 20 6.1  
 RIN 6 8 1e9  
 RSOURCE 8 7 RDSMOD 4.56e-2  
 RVTO 18 19 RVTOMOD 1

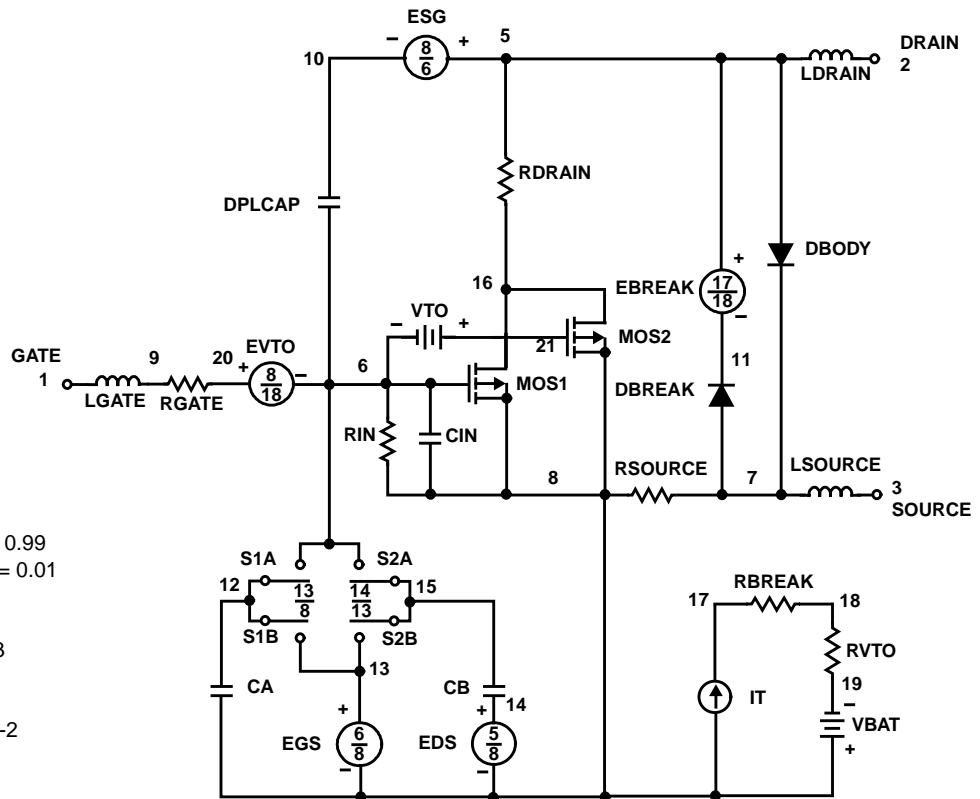
S1A 6 12 13 8 S1AMOD  
 S1B 13 12 13 8 S1BMOD  
 S2A 6 15 14 13 S2AMOD  
 S2B 13 15 14 13 S2BMOD

VBAT 8 19 DC 1  
 VTO 21 6 -0.558

.MODEL DBDMOD D (IS = 3.0e-13 RS = 4.4e-2 TRS1 = 1.0e-3 TRS2 = -7.37e-6 CJO = 1.27e-9 TT = 2.2e-8)  
 .MODEL DBKMOD D (RS = 7.84e-2 TRS1 = -4.27e-3 TRS2 = 5.77e-5)  
 .MODEL DPLCAPMOD D (CJO = 2.85e-10 IS = 1e-30 N = 10)  
 .MODEL MOSMOD PMOS (VTO = -2.1423 KP = 9.206 IS = 1e-30 N = 10 TOX = 1 L = 1u W = 1u)  
 .MODEL RBKMOD RES (TC1 = 9.61e-4 TC2 = -1.09e-6)  
 .MODEL RDSMOD RES (TC1 = 2.10e-3 TC2 = 6.99e-6)  
 .MODEL RVTOMOD RES (TC1 = -1.82e-3 TC2 = 1.47e-7)  
 .MODEL S1AMOD VSWITCH (RON = 1e-5 ROFF = 0.1 VON = 5.47 VOFF = 3.47)  
 .MODEL S1BMOD VSWITCH (RON = 1e-5 ROFF = 0.1 VON = 3.47 VOFF = 5.47)  
 .MODEL S2AMOD VSWITCH (RON = 1e-5 ROFF = 0.1 VON = 1.05 VOFF = -3.95)  
 .MODEL S2BMOD VSWITCH (RON = 1e-5 ROFF = 0.1 VON = -3.95 VOFF = 1.05)

.ENDS

NOTE: For further discussion of the PSPICE model, consult **A New PSPICE Sub-circuit for the Power MOSFET Featuring Global Temperature Options**; IEEE Power Electronics Specialist Conference Records, 1991.



All Intersil semiconductor products are manufactured, assembled and tested under **ISO9000** quality systems certification.

*Intersil semiconductor products are sold by description only. Intersil Corporation reserves the right to make changes in circuit design and/or specifications at any time without notice. Accordingly, the reader is cautioned to verify that data sheets are current before placing orders. Information furnished by Intersil is believed to be accurate and reliable. However, no responsibility is assumed by Intersil or its subsidiaries for its use; nor for any infringements of patents or other rights of third parties which may result from its use. No license is granted by implication or otherwise under any patent or patent rights of Intersil or its subsidiaries.*

For information regarding Intersil Corporation and its products, see web site [www.intersil.com](http://www.intersil.com)