

# Power Management IC with Five Regulated Outputs Programmed Through 3-Wire Serial Interface

The MPC18730 Power Management IC (PMIC) regulates five independent output voltages from either a single cell Li-Ion (2.7 V to 4.2 V input range) or from a single cell Ni-MH or dry cell (0.9 V to 2.2 V input range).

The PMIC includes 2 DC-DC converters and 3 low drop out (LDO) linear regulators. The output voltage for each of the 5 output voltages is set independently through a 3-wire serial interface. The serial interface also configures the PMIC's versatile start-up control system, which includes multiple wakeup, sleep, standby, and reset modes to minimize power consumption for portable equipment.

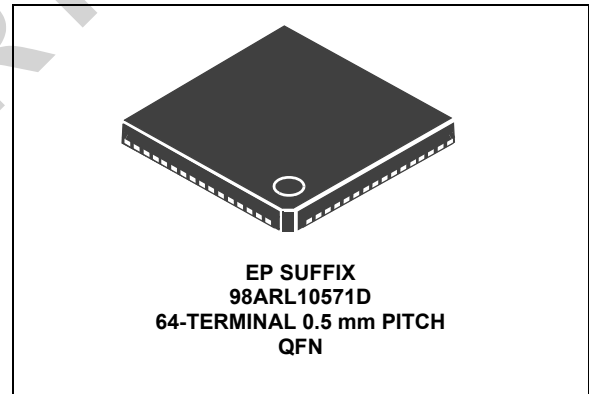
In single cell Li-Ion applications two DC-DC converters are configured as buck (step-down) regulators. In single cell Ni-MH or dry cell applications, one DC-DC converter is configured as a boost (step-up) regulator, and the other as buck-boost regulator. The DC-DC converters' output voltages have set ranges 1.613 V to 3.2 V at up to 120 mA, and 0.805 V to 1.5 V up to 100 mA through the serial interface.

## Features

- Operates from single cell Li-Ion, Ni-MH, or Alkaline
- 2 DC-DC Converters
- 3 Low Drop Regulators
- Serial Interface Sets Output Voltages
- 4 Wake Inputs
- Low Current Standby Mode
- Pb-Free Packaging Designated by Suffix Code EP

18730

POWER MANAGEMENT IC



ORDERING INFORMATION		
Device	Temperature Range (T <sub>A</sub> )	Package
MPC18730EP/R2	-10°C to 65°C	64 QFN

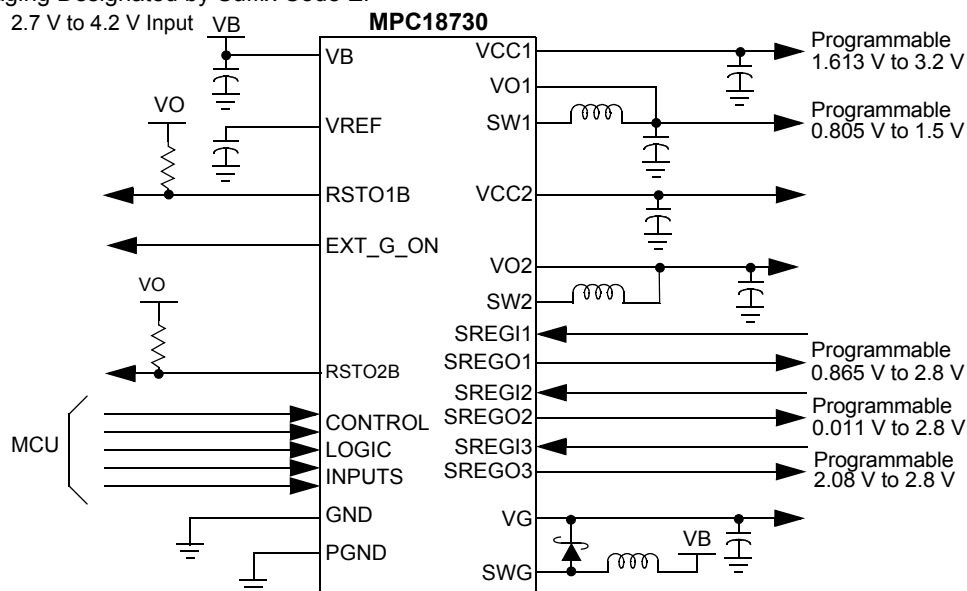


Figure 1. MPC18730 Simplified Application Diagram

\* This document contains information on a product under development. Freescale reserves the right to change or discontinue this product without notice.

### INTERNAL BLOCK DIAGRAM

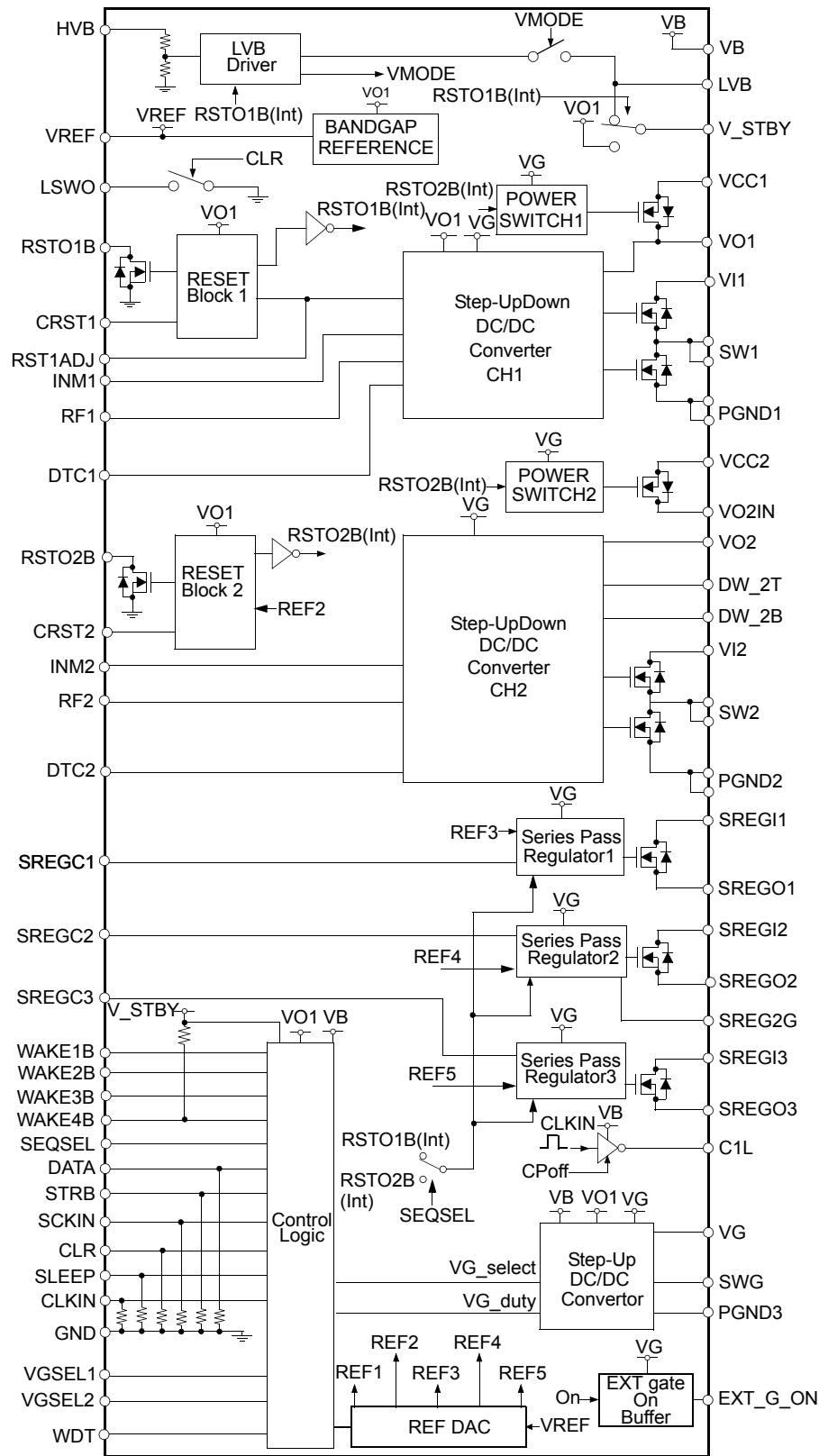


Figure 2. MPC18730 Simplified Internal Block Diagram

### TERMINAL CONNECTIONS

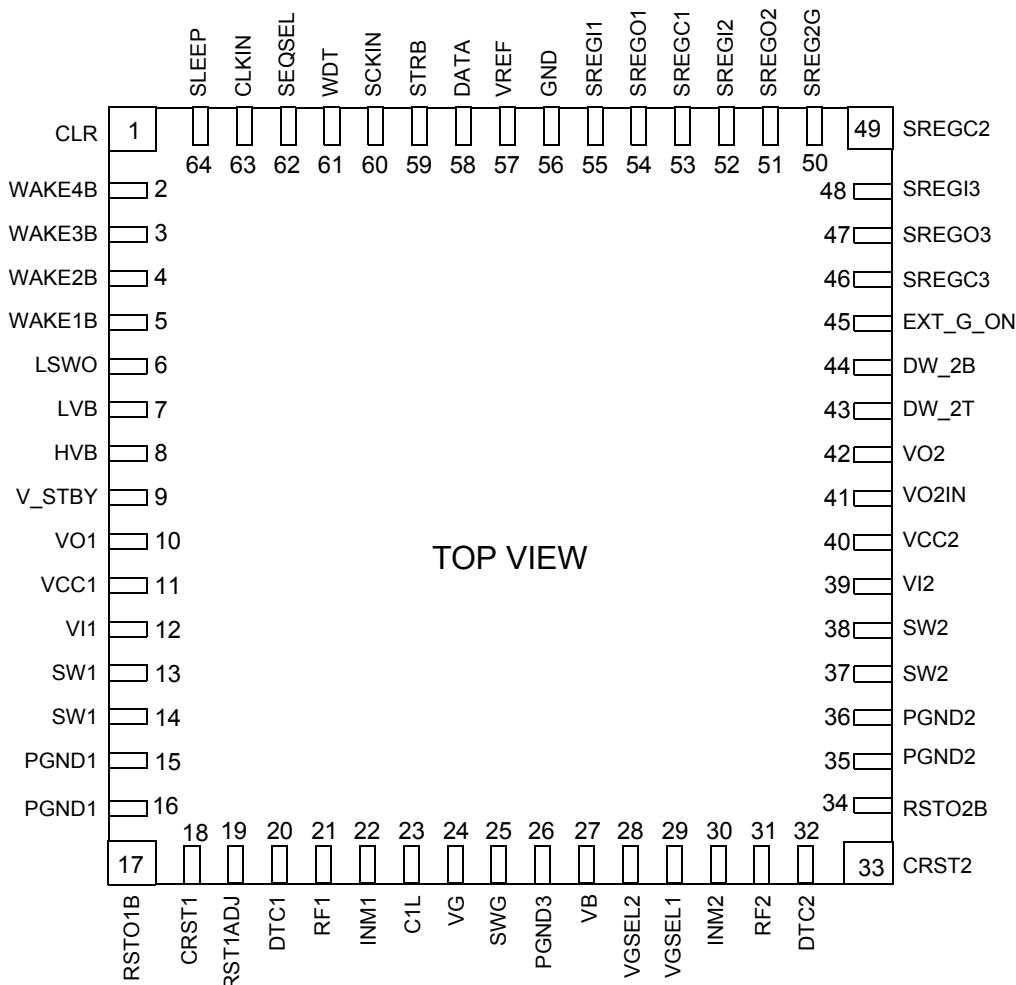


Figure 3. MPC18730 Terminal Connections

Table 1. MPC18730 Terminal Definitions

A functional description of each terminal can be found in the Functional Terminal Description section beginning on [page 14](#).

Terminal Number	Terminal Name	Terminal Function	Formal Name	Definition
1	CLR	Input	Clear	Start-up Signal Input Latch/Clear
2	WAKE4B	Input	Wake Signal 4	Start-up Signal Input 4
3	WAKE3B	Input	Wake Signal 3	Start-up Signal Input 3
4	WAKE2B	Input	Wake Signal 2	Start-up Signal Input 2
5	WAKE1B	Input	Wake Signal 1	Start-up Signal Input 1
6	LSWO	Output	Low-Side Switch Output	Low-Side Switch Output Terminal
7	LVB	Input	Low Voltage Battery	VB Power Supply Connection for Ni_mh
8	HVB	Input	High Voltage Battery	VB Power Supply Connection for Li_ion
9	V_STBY	Output	Standby Voltage	V_STBY Voltage Output

**Table 1. MPC18730 Terminal Definitions (continued)**

A functional description of each terminal can be found in the Functional Terminal Description section beginning on [page 14](#).

Terminal Number	Terminal Name	Terminal Function	Formal Name	Definition
10	VO1	Input	Voltage Input 1	Switching Power Supply Circuit 1, VO1 Voltage Input, VO1 Power Supply
11	VCC1	Output	Voltage Output 1	Power Switch 1 Output
12	VI1	Output	Voltage Output 1	Switching Power Supply Circuit 1 Output
13	SW1	Power	Switching 1	Switching Power Supply Circuit 1 Coil Connection
14	SW1	Power	Switching 1	Switching Power Supply Circuit 1 Coil Connection
15	PGND1	Ground	Power Ground 1	Switching Power Supply Circuit 1 Power GND
16	PGND1	Ground	Power Ground 1	Switching Power Supply Circuit 1 Power GND
17	RSTO1B	Output	Inverted Reset Output 1	Reset Circuit 1 Reset Signal Output
18	CRST1	Input	Reset Delay Capacitor 1	Reset Circuit 1 Reset Signal Delaying Capacitor Connection
19	RST1ADJ	Output	Reset1 Adjustment	Switching Power Supply Circuit 1 Reset Voltage Reference Output
20	DTC1	Power	Duty Control	Switching Power Supply Circuit 1 Maximum Duty Setting
21	RF1	Output	Reference Feedback 1	Switching Power Supply Circuit 1 Error Amp Output
22	INM1	Input	Input Minus 1	Switching Power Supply Circuit 1 Error Amp Inverse Input
23	C1L	Power	Charge Pump Capacitor	VG Power Supply Circuit Charge Pump Capacitor Connection
24	VG	Output	Gate Voltage	VG Power Supply Circuit Voltage Output, Pre-Diver Circuit Power Supply
25	SWG	Power	Switching	VG Power Supply Circuit Coil Connection
26	PGND3	Ground	Power Ground 3	VG Power Supply Circuit Power GND
27	VB	Power	Battery Voltage	VB Power Supply Connection
28	VGSEL2	Output	VG Select 2	VG Power Supply Circuit Output Voltage Setting 2
29	VGSEL1	Output	VG Select 1	VG Power Supply Circuit Output Voltage Setting 1
30	INM2	Input	Input Minus	Switching Power Supply Circuit 2 Error Amp Inverting Input
31	RF2	Output	Reference Feedback 2	Switching Power Supply Circuit 2 Error Amp Output
32	DTC2	Power	Duty Control	Switching Power Supply Circuit 2 Maximum Duty Setting
33	CRST2	Input	Reset Delay Capacitor 1	Reset Circuit 2 Reset Signal Delay Capacitor Connection
34	RSTO2B	Output	Inverted Reset Output 2	Reset Circuit 2 Reset Signal Output
35	PGND2	Ground	Power Ground 2	Switching Power Supply Circuit 2 Power GND
36	PGND2	Ground	Power Ground 2	Switching Power Supply Circuit 2 Power GND
37	SW2	Power	Switching	Switching Power Supply Circuit 2 Coil Connection
38	SW2	Power	Switching	Switching Power Supply Circuit 2 Coil Connection
39	VI2	Output	Voltage Output	Switching Power Supply Circuit 2 Output
40	VCC2	Output	Voltage Output	Power Switch 2 Output
41	VO2IN	Input	Voltage Input	Power Switch 2 Voltage Input
42	VO2	Input	Voltage Input	Switching Power Supply Circuit 2 VO2 Voltage Input

**Table 1. MPC18730 Terminal Definitions (continued)**

A functional description of each terminal can be found in the Functional Terminal Description section beginning on [page 14](#).

Terminal Number	Terminal Name	Terminal Function	Formal Name	Definition
43	DW_2T	Output	Step Down Top FET 2	Switching Power Supply Circuit 2 Step down Top side FET Gate Output for Ni_mh
44	DW_2B	Output	Step Down Bottom FET 2	Switching Power Supply Circuit 2 Step down Bottom side FRT Gate Output for Ni_mh
45	EXT_G_ON	Output	Gate Switch	External Transistor Gate Signal Output
46	SREGC3	Power	Regulator Capacitor 3	Series Pass Power Supply Circuit 3 External Feedback Connection
47	SREGO3	Output	Regulator Output 3	Series Pass Power Supply Circuit 3 Output
48	SREGI3	Power	Regulator Input 3	Series Pass Power Supply Circuit 3 Power Supply
49	SREGC2	Power	Regulator Capacitor 2	Series Pass Power Supply Circuit 2 External Feedback Connection
50	SREG2G	Output	Regulator Gate Output 2	Series Pass Power Supply Circuit 2 External Transistor Gate Signal Output
51	SREGO2	Output	Regulator Output 2	Series Pass Power Supply Circuit 2 Output
52	SREGI2	Power	Regulator Input 2	Series Pass Power Supply Circuit 2 Power Supply
53	SREGC1	Power	Regulator Capacitor 1	Series Pass Power Supply Circuit 1 External Feedback Connection
54	SREGO1	Output	Regulator Output 1	Series Pass Power Supply Circuit 1 Output
55	SREGI1	Power	Regulator Input 1	Series Pass Power Supply Circuit 1 Power Supply
56	GND	Ground	Ground	GND
57	VREF	Output	Reference Voltage	Reference Voltage Output
58	DATA	Input	Data Signal	Serial Interface Data Signal Input
59	STRB	Input	Strobe	Serial Interface Strobe Signal Input
60	SCKIN	Input	Serial Clock	Serial Interface Clock Signal Input
61	WDT	Input	Watch Dog Timer	Watchdog Timer Capacitor Connection
62	SEQSEL	Input	Sequence Input	Start-Up Sequence Setting Input
63	CLKIN	Input	Clock Input	External Synchronous Clock Signal Input
64	SLEEP	Input	Sleep Signal	Sleep Signal Input

## MAXIMUM RATINGS

**Table 2. Maximum Ratings**

All voltages are with respect to ground unless otherwise noted. Exceeding these ratings may cause a malfunction or permanent damage to the device.

Ratings	Symbol	Value	Unit
<b>ELECTRICAL RATINGS</b>			
Power Supply Voltage	$V_B$	-0.5 to 5.0	V
Analog Signal Input <sup>(1)</sup>	$V_{INAN}$	-0.5 to $VO1+0.5$	V
Logic Signal Input WAKE1~4B CLR, SLEEP, CLKIN, SCKIN, DATA, STRB VGSEL1,2	$V_{ILRSTB}$ $V_{ILGC}$ $V_{ILGSEL}$	-0.5 to $V_{\_STBY}+0.5$ -0.5 to $VO1+0.5$ -0.5 to $VB+0.5$	V
Output Power Current $V_{CC1}$ Power Supply Circuit <sup>(2)</sup> $V_{CC2}$ Power Supply Circuit SREG1 Power Supply Circuit SREG2 Power Supply Circuit SREG3 Power Supply Circuit VG Power Supply Circuit RSTO1B Power Supply Circuit	$I_{OVO1}$ $I_{OVO2}$ $I_{OREG1}$ $I_{OREG2}$ $I_{OREG3}$ $I_{OVG}$ $I_{ORSTB}$	120 100 80 100 80 8 -20	mA
Open-Drain Output Apply Voltage RSTO1B LSWO	$V_{IODR}$ $V_{IODV}$	-0.5 to 3.3 -0.5 to 3.3	V
ESD Voltage Human Body Model (HBM) <sup>(3)</sup> Machine Model (MM) <sup>(4)</sup> Charge Device Model (CDM)	$V_{ESD1}$ $V_{ESD2}$ $V_{CDM}$	$\pm 1500$ $\pm 200$ $\pm 750$	V
<b>THERMAL RATINGS</b>			
Operating Temperature Ambient Junction	$T_A$ $T_J$	-10 to 65 150	°C
Storage Temperature	$T_{STG}$	-50 to 150	°C
Thermal Resistance <sup>(5)</sup> Junction to Ambient	$R_{\theta JA}$	69	°C/W
Lead Soldering Temperature <sup>(6)</sup>	$T_{SOLDER}$	260	°C

**Notes**

- VREF, DTC1, DTC2, SREGC1, SREGC2, SREGC3 and RST1ADJ.
- Includes the series pass power supply circuit output current.
- ESD1 testing is performed in accordance with the Human Body Model ( $C_{ZAP} = 100$  pF,  $R_{ZAP} = 1500$   $\Omega$ ).
- ESD2 testing is performed in accordance with the Machine Model ( $C_{ZAP} = 200$  pF,  $R_{ZAP} = 0$   $\Omega$ ) and in accordance with the system module specification with a capacitor 0.01  $\mu$ F connected from OUT to GND.
- Device mounted on a 2s2p test board, in accordance with JEDEC JESD51-6 and JESD51-7.
- Terminal soldering temperature limit is for 10 seconds maximum duration. Not designed for immersion soldering. Exceeding these limits may cause malfunction or permanent damage to the device.

## STATIC ELECTRICAL CHARACTERISTICS

**Table 3. Static Electrical Characteristics**

Characteristics noted under conditions  $V_B = 1.2\text{ V}$ ,  $V_{O1} = 2.4\text{ V}$ ,  $V_G = 6.0\text{ V}$ ,  $f_{CLK} = 176.4\text{ kHz}$  unless otherwise noted. Typical values noted reflect the approximate parameter means at  $T_A = 27^\circ\text{C}$  under nominal conditions unless otherwise noted.

Characteristic	Symbol	Min	Typ	Max	Unit
<b>GENERAL</b>					
VB Power Supply Voltage					V
Power Supply Voltage 1	$V_{LVB}$	0.9	1.2	2.2	
Power Supply Voltage 2	$V_{HVB}$	2.7	3.5	4.2	
Series Regulator Input Voltage <sup>(7), (8)</sup>	$V_{SREGI}$	$V_{SREG}+0.2^{(9)}$	$V_{SREG}+0.3$	$V_{SREG}+0.4$	V
Start-Up Voltage	$V_{BST}$	0.9	-	-	V
Analog Signal Input <sup>(10)</sup>	$V_{IANA}$	0	-	$V_{O1}$	V
Logic Signal Input					V
RSTO1 ~ 4B	$V_{ILRSTB}$	0	-	$V_{STBY}$	
CLR, SLEEP, CLKIN, DATA, STRB and SCKIN	$V_{ILGC}$	0	-	$V_{O1}$	
VGSEL1, 2	$V_{ILGSEL}$	0	-	VB	
Output Power Current					mA
$V_{CC1}$ Power Supply Circuit <sup>(11)</sup>	$I_{OVCC1}$	0	-	100	
$V_{CC2}$ Power Supply Circuit <sup>(11)</sup>	$I_{OVCC2}$	0	-	80	
SREG1 Power Supply Circuit	$I_{OSREG1}$	5	-	60	
SREG2 Power Supply Circuit	$I_{OSREG2}$	6	-	80	
SREG3 Power Supply Circuit	$I_{OSREG3}$	5	-	60	
VG Power Supply Circuit	$I_{OVG}$	0	-	6	
RSTO	$I_{ORSTB}$	-5	-	0	
Supply Current in Stand-by mode					mA
VB Supply Current ( $V_B = 1.2\text{ V}$ for Ni_MH)	$I_{BSNi}$	-	5	10	
(HVB = 3.5 V for Li-Ion)	$I_{BSLi}$	-	8	12	
Supply Current in Operating mode					mA
VB Supply Current ( $V_B = 1.2\text{ V}$ for Ni_MH)	$I_{BNI}$	-	9	18	
(HVB = 3.5 V for Li-Ion)	$I_{BLi}$	-	7	14	
Reference Power Supply Circuit					
Output Voltage	$V_{REF}$	1.255	1.275	1.295	V
Output Current	$I_{OREF}$	-0.3	-	0.3	mA
Switching Power Supply 1					V
$V_{CC1}$ Output Voltage ( $I_o = 0\sim 100\text{ mA}$ )	$V_{CC1}$	2.3	2.4	2.5	

**Notes**

- When applying voltage from an external source.
- 0.3 V when VG is 4.5 V.
- Provide 2 V or higher for the voltage difference ( $V_G - V_{O1}$ ).
- $V_{REF}$ , DTC1, DTC2, SREGC1, SREGC2, SREGC3 and RST1ADJ.
- Includes the series pass power supply circuit output current.

This paragraph is boilerplate - you may add to it but, can not change wording. You may change numeric values

**Table 3. Static Electrical Characteristics (continued)**

Characteristics noted under conditions  $V_B = 1.2\text{ V}$ ,  $V_{O1} = 2.4\text{ V}$ ,  $V_G = 6.0\text{ V}$ ,  $f_{CLK} = 176.4\text{ kHz}$  unless otherwise noted. Typical values noted reflect the approximate parameter means at  $T_A = 27^\circ\text{C}$  under nominal conditions unless otherwise noted.

Characteristic	Symbol	Min	Typ	Max	Unit
Switching Power Supply 2					V
$V_{CC2}$ Output Voltage ( $I_o = 0\sim 80\text{ mA}$ )	$V_{CC2}$	1.05	1.15	1.25	
DW_2T Output Voltage <sup>(12)</sup> ( $I_{source} = 400\ \mu\text{A}$ )	$V_{DW2TH}$	5.2	-	VG	
( $I_{sink} = 400\ \mu\text{A}$ )	$V_{DW2TL}$	0	-	0.3	
DW_2B Output Voltage <sup>(12)</sup> ( $I_{source} = 400\ \mu\text{A}$ )	$V_{DW2BH}$	5.2	-	VG	
( $I_{sink} = 400\ \mu\text{A}$ )	$V_{DW2BL}$	0	-	0.3	
Series Pass Power Supply Circuit					
SREG1 Control Voltage ( $I_o = 5\sim 60\text{ mA}$ ) <sup>(13)</sup>	$V_{SREG1}$	2.7	2.8	2.9	V
SREG1-Error AMP Input offset voltage <sup>(14)</sup>	SR1OFST	-13.5	-	24.5	mV
SREG2 Control Voltage ( $I_o = 6\sim 80\text{ mA}$ ) <sup>(13)</sup>	$V_{SREG2}$	2.7	2.8	2.9	V
SREG2-Error AMP Input offset voltage <sup>(15)</sup>	SR2OFST	-17	-	17	mV
SREG3 Control Voltage ( $I_o = 5\sim 60\text{ mA}$ ) <sup>(13)</sup>	$V_{SREG3}$	2.7	2.8	2.9	V
SREG3-Error AMP Input offset voltage <sup>(16)</sup>	SR3OFST	-11	-	23	mV
SREG2G Output Voltage <sup>(17)</sup> ( $I_{source} = 2.5\ \mu\text{A}$ )	SREG2GH	5	-	VG	V
( $I_{sink} = 2.5\ \mu\text{A}$ )	SREG2GL	0	-	0.5	V
Power Switch On Resistance					$\Omega$
$V_{CC1}$ Circuit	$R_{VCC1}$	-	0.4	0.6	
$V_{CC2}$ Circuit	$R_{VCC2}$	-	0.4	0.6	
VG Power Supply Circuit					V
( $I_o = 0\sim 6\text{ mA}$ ) <sup>(18)</sup>	VG_00	5.5	6.0	6.5	
( $I_o = 0\sim 6\text{ mA}$ ) <sup>(19)</sup>	VG_10	4.6	5.0	5.4	
C1L Output Voltage ( $I_{source} = 2.5\text{ mA}$ )	VO11LH	$V_B \times 0.85$	-	$V_B$	
( $I_{sink} = 2.5\text{ mA}$ )	VO11LL	0	-	0.4	
VGH Voltage (Certified value)	VGH	-	-	10.5	
$V_{\_STBY}$ Output Voltage for Li_ion ( $I_o = 300\ \mu\text{A}$ ) <sup>(20)</sup>	$V_{LVB}$	1.75	-	2.45	V

Notes

12. Connect a transistor with gate capacity of 200 pF or smaller to DW\_2T and DW\_2B
13. If a capacitor with capacitance of 22 $\mu\text{F}$  is connected to SREGO, use a phase compensation capacitor between SREGO and SREGC when the load is 5 mA (6 mA for SREG2) or lower. The output voltage values shown in the table assume that external resistance is connected as follows:  
 $SREGI1 = 3.0\text{V to } 3.3\text{V}$ , 65.14K $\Omega$  between SREGO1 and SREGC1, 34.86K $\Omega$  between SREGC1 and GND.  
 $SREGI2 = 3.0\text{V to } 3.3\text{V}$ , 54.46K $\Omega$  between SREGO2 and SREGC2, 45.54K $\Omega$  between SREGC2 and GND.  
 $SREGI3 = 3.0\text{V to } 3.3\text{V}$ , 73.84K $\Omega$  between SREGO3 and SREGC3, 26.16K $\Omega$  between SREGC3 and GND.
14. Calculated by the right formula for input offset:  $SR1OFST = (V_{ref} \times 0.77) - (SREGO1 \div (100k + 34.86k))$
15. Calculated by the right formula for input offset:  $SR2OFST = (V_{ref} \times 1) - (SREGO1 \div (100k + 45.54k))$
16. Calculated by the right formula for input offset:  $SR3OFST = (V_{ref} \times 0.58) - (SREGO1 \div (100k + 26.16k))$
17. Connect a transistor with gate capacity of 300 pF or smaller to REG2G.
18. When VGSEL1 is Low and VGSEL2 is Low, I/O=3mA or higher is certified by specification.
19. When VGSEL1 is High and VGSEL2 is Low, I/O=3mA or higher is certified by specification.
20. When HVB is 4.2V and the load from  $V_{\_STBY}$  is 0.5 $\mu\text{A}$  or higher.



**Table 3. Static Electrical Characteristics (continued)**

Characteristics noted under conditions  $V_B = 1.2\text{ V}$ ,  $V_{O1} = 2.4\text{ V}$ ,  $V_G = 6.0\text{ V}$ ,  $f_{CLK} = 176.4\text{ kHz}$  unless otherwise noted. Typical values noted reflect the approximate parameter means at  $T_A = 27^\circ\text{C}$  under nominal conditions unless otherwise noted.

Characteristic	Symbol	Min	Typ	Max	Unit
Reset Circuit					
Reset Voltage 1	$V_{RST1}$	$0.85 \times VO1$	$0.88 \times VO1$	$0.91 \times VO1$	V
Reset Voltage 2	$V_{RST2}$	$0.80 \times VO2$	$0.85 \times VO2$	$0.90 \times VO2$	V
Hysteresis Voltage 1 (@RST1)	$V_{HYRS1}$	40	78	115	mV
Hysteresis Voltage 2 (@RST2)	$V_{HYRS2}$	50	75	100	mV
RSTB ( $V_{RSTB} = 2.4\text{ V}$ )	$I_{ORSTB1,2}$	0	-	10	$\mu\text{A}$
( $I_{sink} = 2\text{ mA}$ )	$V_{OLRSTB1,2}$	0	-	0.5	V
CRST ( $I_{sink} = 100\text{ }\mu\text{A}$ )	$V_{OLCR1,2}$	0	-	0.7	V
High Level Threshold Voltage	$V_{IHCR1,2}$	1.25	1.42	1.65	V
Low Level Threshold Voltage	$V_{ILCR1,2}$	0.75	1.00	1.15	V
CRST Pull-Up Resistance	$R_{PUPRC1,2}$	50	100	150	$\text{K}\Omega$
V_STBY Output Resistance					
Output Resistance (VO1)	$R_{VO1}$	-	30	45	$\Omega$
Output Resistance (VB)	$R_{VB}$	-	200	400	$\Omega$
LSWO Output Resistance					
Output Resistance	$R_{LSWO}$	-	42	50	$\Omega$
Ext_G_ON					
Ext_G_ON Output Voltage ( $I_{source} = 100\text{ }\mu\text{A}$ )	$V_{OHEXTG}$	$V_G \times 0.9$	-	$V_G$	V
( $I_{sink} = 100\text{ }\mu\text{A}$ )	$V_{OLEXTG}$	0	-	$V_G \times 0.1$	V
Logic Input					
"H" Level Input Voltage <sup>(21)</sup>	$V_{IHVS}$	$V_{STBY} - 0.2$	-	-	V
"L" Level Input Voltage <sup>(21)</sup>	$V_{ILVS}$	-	-	0.2	V
"H" Level Input Voltage <sup>(22)</sup>	$V_{IH}$	1.5	-	-	V
"L" Level Input Voltage <sup>(22)</sup>	$V_{IL}$	-	-	0.4	V
"H" Level Input Voltage <sup>(23)</sup>	$V_{IHVB}$	$VB - 0.2$	-	-	V
"L" Level Input Voltage <sup>(23)</sup>	$V_{ILVB}$	-	-	0.2	V
"H" Level Input Current <sup>(21), (23)</sup>	$I_{IH}$	-1	-	1	$\mu\text{A}$
"L" Level Input Current <sup>(23), (24)</sup>	$I_{IL}$	-1	-	1	$\mu\text{A}$
Pull Up Resistance <sup>(25)</sup>	$R_{PUP}$	410	590	770	$\text{K}\Omega$
Pull Down Resistance <sup>(26)</sup>	$R_{PDW}$	330	480	625	$\text{K}\Omega$

**Notes**

21. Applied to WAKEB1 ~ 4 and SEQSEL.
22. Applied to CLR, SLEEP, CLKIN, DATA, STRB and SCKIN.
23. Applied to VGSEL1 and 2.
24. Applied to WAKEB1 ~ 3, CLR, SLEEP, CLKIN, DATA, STRB, SCKIN and SEQSEL.
25. Applied to WAKEB4.
26. Applied to CLR, SLEEP, CLKIN, DATA, STRB and SCKIN.

## DYNAMIC ELECTRICAL CHARACTERISTICS

**Table 4. Dynamic Electrical Characteristics**

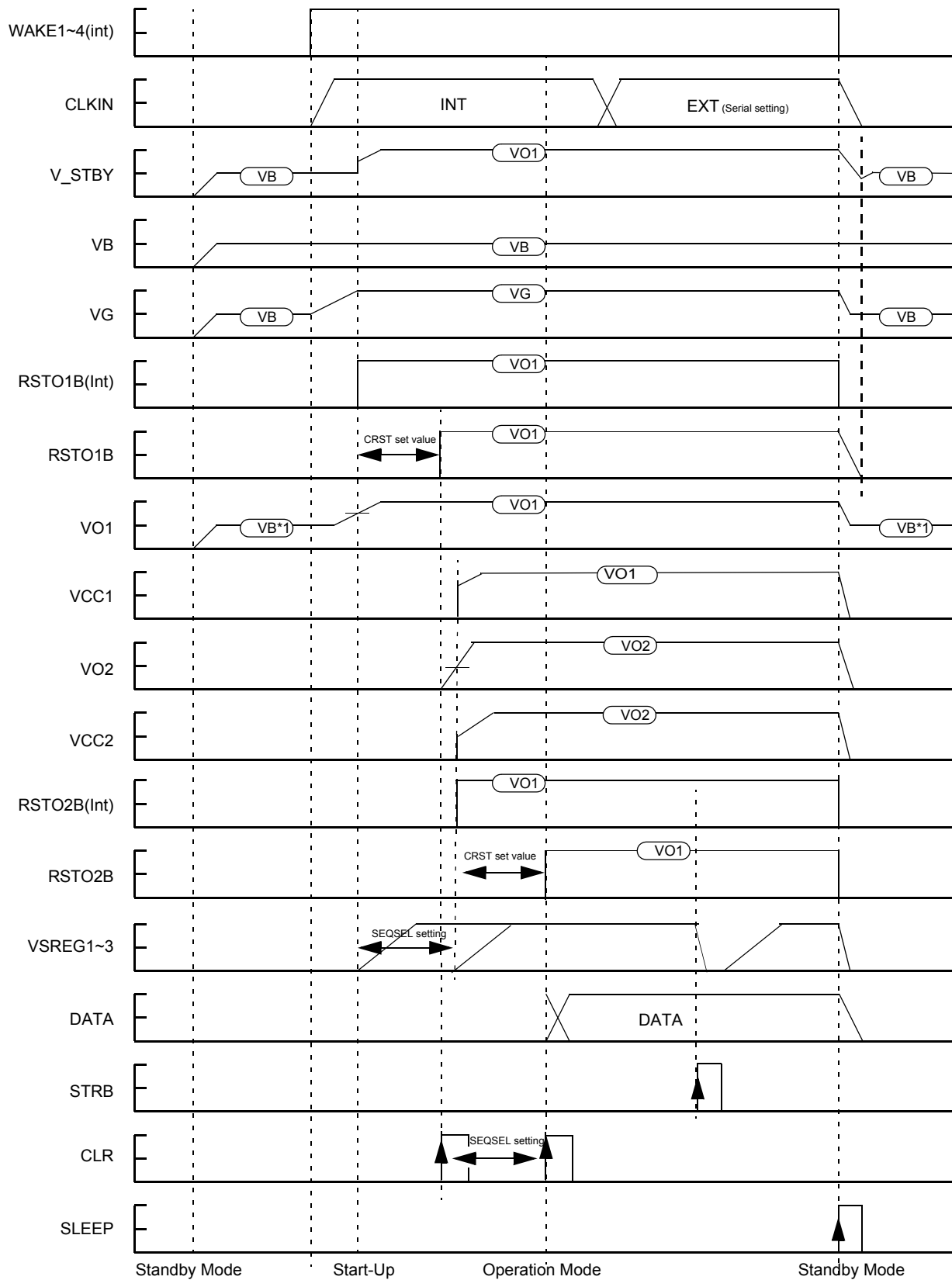
Characteristics noted under conditions  $V_B = 1.2\text{ V}$ ,  $V_{O1} = 2.4\text{ V}$ ,  $V_G = 6.0\text{ V}$ ,  $f_{CLK} = 176.4\text{ kHz}$  unless otherwise noted. Typical values noted reflect the approximate parameter means at  $T_A = 27^\circ\text{C}$  under nominal conditions unless otherwise noted.

Characteristic	Symbol	Min	Typ	Max	Unit
<b>OSCILLATOR</b>					
Internal Oscillation Frequency	$f_{ICK}$	150	200	250	kHz
<b>MICRO CONTROLLER INTERFACE</b>					
Clock Signal Input <sup>(27)</sup>	$f_{CLK}$	-	176.4	-	kHz
Serial Interface (Refer to Timing Chart below)					
DATA Set Up Time	$t_s$	20	-	-	nsec
DATA Hold Time	$t_h$	20	-	-	nsec
SCKIN Clock Frequency	$f_{sck}$	-	6.0	-	MHz
SCKIN 'H' Pulse Width	$t_{wckh}$	50	-	-	nsec
SCKIN 'L' Pulse Width	$t_{wckl}$	50	-	-	nsec
SCKIN Hold Time	$t_{hck}$	50	-	-	nsec
STRB Set Up Time	$t_{ssb}$	50	-	-	nsec
STRB Pulse Width	$t_{wsb}$	50	-	-	nsec

**Notes**

27. Duty 50%.

### FUNCTIONAL DIAGRAMS



\*1: When using Ni\_mh. High-Z when using Li\_ion.

Figure 4. Power Supply Start-Up Timing Diagram

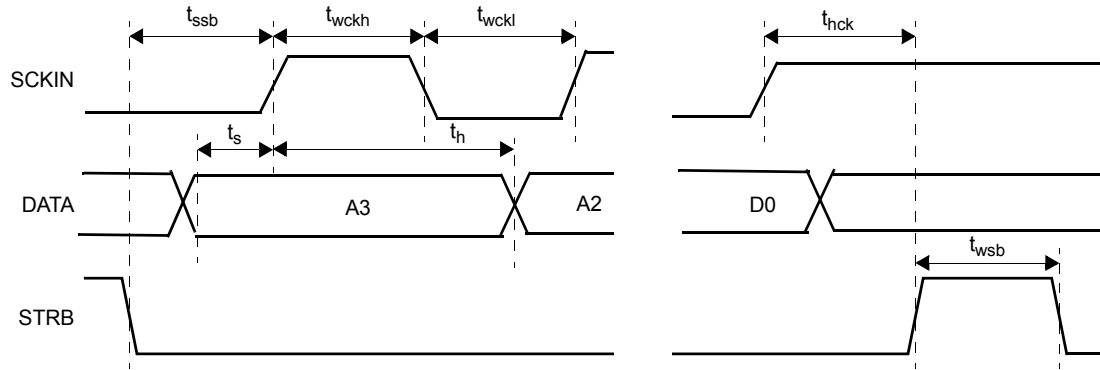


Figure 5. Serial Interface Timing Diagrams

**Table 5. Serial Interface Functions**

Register Name	Address	DATA1				DATA2			
		CLR	SLEEP	Reserved	Reserved	Reserved	Reserved	Reserved	Reserved
0 CLR, SLEEP	1000	CLR	SLEEP	Reserved	Reserved	Reserved	Reserved	Reserved	Reserved
1 Power Mode	0001	PSW1	PSW2	RSTO1B	VCC2	SREG1	SREG2	SREG3	RSTO2B
2 Clock Select	0010	Ext / Int	Half Freq	RSTB sleep	S_Off_VG	VG_Duty[3]	VG_Duty[2]	VG_Duty[1]	VG_Duty[0]
3 VO1	0011	MSB VO1 Output Voltage						LSB	S_Off_VO1
4 VO2	0100	MSB VO2 Output Voltage						LSB	S_Off_VO2
5 SREG1	0101	MSB SREG1 Output Voltage						LSB	Reserved
6 SREG2	0110	MSB SREG2 Output Voltage						LSB	
7 SREG3	0111	MSB SREG3 Output Voltage					LSB	CP Off	EXTG On

Twelve bits immediately before start-up of STRB are always effective. Upon power on, the internal power on reset works to initialize the registers. Serial data is fetched in the

order of Add\_[3], Add\_[2], ..., Add\_[0], DATA1\_[3], DATA1\_[2], ..., DATA2\_[0].

**Table 6. Block Operation**

INPUT					OUTPUT				
WAKE(Int)	RSTO1B(Int)	RSTO1B	RSTO2B(Int)	SEQSEL	VG	VO1	VO2	VCC1,2	REG1,2,3
L	X	X	X	X	-	-	-	-	-
H	L	L	L	L	O	O	-	-	-
H	H	L	L	L	O	O	-	-	O
H	H	L	L	H	O	O	-	-	-
H	H	H	H	L	O	O	O	O	O
H	H	H	H	H	O	O	O	O	O

O : Operation, - : Stop, X : Don't care

**Table 7. Start-Up Sequence Settings**

SEQSEL	CLR/SLEEP	Series Regulators
V_STBY	RSTO2B(Ext)	RSTO2B(Int)
GND	RSTO1B(Ext)	RSTO1B(Int)

## FUNCTIONAL DESCRIPTION

### INTRODUCTION

The 18730 power management integrated circuit provides five independent output voltages for the micro controller from either a single cell Li-Ion or from a single cell Ni-MH or dry cell. The PMIC includes two DC to DC converters and three low drop out linear regulators. The output voltage for each of the five output voltages is set independently through a 3-wire serial interface. The PMIC has multiple wakeup, sleep, and

reset modes to minimize power consumption for portable equipment. In single cell Li-Ion applications two DC-DC converters are configured as buck regulators. In single cell Ni-MH or dry cell applications, one DC-DC converter is configured as a boost regulator, and the other as buck-boost regulator.

### FUNCTIONAL TERMINAL DESCRIPTION

#### CLEAR TERMINAL (CLR)

This Clear input signal makes clear internal latches for WAKE signal holding. The WAKE control circuit can not receive another WAKE input until the latch is cleared by this Clear input.

#### WAKE SIGNAL TERMINALS (WAKE1B, WAKE2B, WAKE3B, WAKE4B) ... ACTIVE LOW

Any one WAKE input signal of these four WAKE inputs awakes this device from sleep mode. The WAKE signals can be made with external low side mechanical switch and resistance that is pulled up to VSTB rail.

#### LOW-SIDE SWITCH OUTPUT TERMINAL (LSWO)

Low-Side switch output that is turned on with 'CLR' signal. It can be used for external key input latches clear.

#### LOW VOLTAGE BATTERY TERMINAL (LVB)

This input terminal is used for temporarily power supply while wake up for 1cell Ni-MH battery or 1cell dry cell battery (= Low Voltage Battery) use. It has to be connected to VB rail. When Li-Ion battery is used, the terminal has to be open.

#### HIGH VOLTAGE BATTERY TERMINAL (HVB)

This input terminal is used for temporarily power supply while wake up for Li-Ion battery (= High Voltage Battery) use. It has to be connected to the VB rail. When a Ni-MH battery is used, the terminal has to be connected to ground level.

#### STANDBY VOLTAGE TERMINAL (V\_STBY)

Standby Voltage is made from LVB or HVB that depends on which battery is used. This voltage is used for internal logic and analog circuit at standby (sleep) mode temporarily before 'VO1' voltage is established.

#### VOLTAGE INPUT TERMINALS (VO1, VO2)

This power supply input terminal named 'VO1 or VO2' is for internal logic and analog circuits and for input of 'VCC1' output via power switch. Input for 'VCC2' is 'VO2IN' terminal. It is supplied from the output of Channel-1 or Channel-2 DC/DC converter as 'VO1 or VO2'.

#### VOLTAGE OUTPUT TERMINALS (VCC1, VCC2)

Output 'VO1' or 'VO2' voltage controlled internal power switch.

#### POWER INPUT TERMINALS (VI1, VI2)

The power input terminals (VI1, VI2) are drain terminals on the top side FET of the DC/DC converter switcher. They are the power input for the buck converter and output for the boost converter.

#### SWITCHING TERMINALS (SW1, SW2)

Switching Terminals (SW1, SW2) are the output of the half bridge and connect to the external inductance.

#### POWER GROUND TERMINALS (PGND1, PGND2, PGND3)

Ground level node for DC/DC converter and Charge Pump portion.

#### INVERTED RESET OUTPUT TERMINALS (RSTO1B, RSTO2B)

Reset signal output for external MPU or the something controller. RSTO1B keeps 'Low' level while the VO1 voltage is less than internal reference voltage. RSTO2B follows to VO2 voltage.

#### RESET DELAY CAPACITOR TERMINALS (CRST1, CSRT2)

The capacitor which is connected to this terminal decide delay time to negate Reset signal from exceeding the reference voltage level.

#### RESET 1 ADJUSTMENT TERMINAL (RST1ADJ)

Used to adjust the reset level with external resistance which is connected to VO1 for RSTO1B.

#### DUTY CONTROL TERMINALS (DTC1, DTC2)

Connected external voltage to this terminal via capacitance can control the duty of DC/DC converter switching. Use of the terminal for this is not recommended.

### REFERENCE FEEDBACK TERMINALS (RF1, RF2)

Output node of internal error amp. for DC/DC converter 1 and 2. For phase compensation use.

### INPUT MINUS TERMINALS (INM1, INM2)

Minus input of internal error amp. for DC/DC converter 1 and 2. For phase compensation use.

### CHARGE PUMP CAPACITOR TERMINAL (C1L)

In case of use higher voltage than VG externally, connect capacitance and diodes between VG. The charge pump structure can output  $VG + VB - 2 \times VF$  voltage. There is no meaning for Ni-MH or dry cell battery, because the VB voltage is almost same as  $2 \times VF$  voltage. Recommend to use for Li-Ion battery use.

### GATE VOLTAGE TERMINAL (VG)

Output terminal of boost converter for gate drive voltage. The output voltage is decided by VGSEL input.

### SWITCHING FOR GATE VOLTAGE TERMINAL (SWG)

Switching terminal for VG boost converter. Connect to external inductance.

### BATTERY VOLTAGE TERMINAL (VB)

Power supply input that connects to Ni-MH or Dry cell or Li-Ion battery.

### VG SELECT TERMINALS (VGSEL1, VGSEL2)

VG output voltage is decided with these two bits input.

### VOLTAGE INPUT FOR POWER SWITCH 2 TERMINAL (VO2IN)

Input of VCC2 output via power switch. Connect to VO2 terminal externally.

### STEP DOWN FET GATE DRIVE TERMINALS (DW\_2T, DW\_2B)

Gate drive output terminals for external FETs to use DC/DC converter 2 as Buck / Boost converter.

### GATE SWITCH TERMINAL (EXT\_G\_ON)

Gate drive output terminal for external low side switch. It can be used for power switch turning On/OFF for remote controller part.

### REGULATOR CONTROL TERMINALS (SREGC1, SREGC2, SREGC3)

Feed back terminal for each series regulators. This terminal voltage is compared with internal reference voltage.

Input the feed back voltage that divided SREGO voltage by resistances.

### REGULATOR OUTPUT TERMINALS (SREGO1, SREGO2, SREGO3)

Series regulator output terminals. All output voltages can be variable with internal DAC via serial I/F.

### REGULATOR INPUT TERMINALS (SREGI1, SREGI2, SREGI3)

Series regulator power input terminals. To be connected to battery voltage in general.

### GROUND TERMINAL (GND)

Ground terminal for logic and analog circuit portion (not power portion). Recommend to connect to clean ground which separated with power ground line.

### REFERENCE VOLTAGE TERMINAL (VREF)

Output of internal reference voltage. It can be used externally. Output current capacity is less than 300uA.

### DATA INPUT TERMINAL (DATA)

Serial data input terminal. The latest 12 bits before strobe signal are valid.

### STROBE TERMINAL (STRB)

Strobe signal input terminal for serial I/F. It establishes the input 12bits data to internal control registers.

### SERIAL CLOCK TERMINAL (SCKIN)

Clock input terminal for serial I/F. Input data are taken in to I/F with this clock.

### WATCH DOG TIMER TERMINAL (WDT)

Watch dog timer prevent unstable wake up (flips between wake-up and failure). If there is no 'CLR' input after any WAKEnB input before this WDT is expired, this device move to 'SLEEP' mode to prevent wake failure hanging-up situation.

### SEQUENCE SELECT TERMINAL (SEQSEL)

Select judgement Reset channel for wake-up complete with this input. If this input level is VSTB voltage, this device judges the wake-up completion with Reset2 (DC/DC2). If it is Ground, judge with Reset1 (DC/DC1). See [Table 7, on page 13](#).

### CLOCK INPUT TERMINAL (CLKIN)

Clock input terminal for internal switching part. This device has a oscillator internally, but can be used this input clock for internal switching frequency. It is selected by Clock select bit. See [Table 19, on page 26](#).

### **SLEEP MODE TERMINAL (SLEEP)**

The sleep input signal puts the device in sleep mode. All output voltages are down, and internal current consumption will be minimum.



## FUNCTIONAL DEVICE OPERATION

### OPERATIONAL MODES

#### START-UP CONTROL INPUT (SYSTEM CONTROL)

The latch is set at the rising edge of any WAKE1B-4B input pin, and WAKE(int) goes High. WAKE1~4B inputs consist of OR logic. At this time, the input pin which went Low keeps latched until CLR goes High. After the latch is reset by CLR, WAKE(int) goes Low when SLEEP goes High. The latch is also cleared and WAKE(int) goes Low when SLEEP goes High before the latch is cleared by CLR. In this case, CLR keeps negated while RSTO1B, 2B(Ext) is Low. SLEEP keeps negated while RSTO1B, 2B(Ext) is Low or CLR is High. The period of time for which CLR and SLEEP are negated can be set by the SEQSEL pin. Refer to Truth [Table 5, on page 13](#) for the correspondence between the SEQSEL pin settings and negation period.

If SLEEP goes High to place the chip into the standby mode while any of the WAKEB pins is Low, the chip can be awakened again. This may happen if, when an WAKEB pin and LSWO are connected, SLEEP goes High earlier than the period of time (\*1) specified by the external component of the WAKEB pin.

Also, if the period of time after WAKE(int) goes High until CLR goes High from Low is longer than the time specified by WDT, internal sleep will start up to place the chip into the standby mode.

(\*1: It is 30  $\mu$ sec when a capacitor is not connected as the external component.)

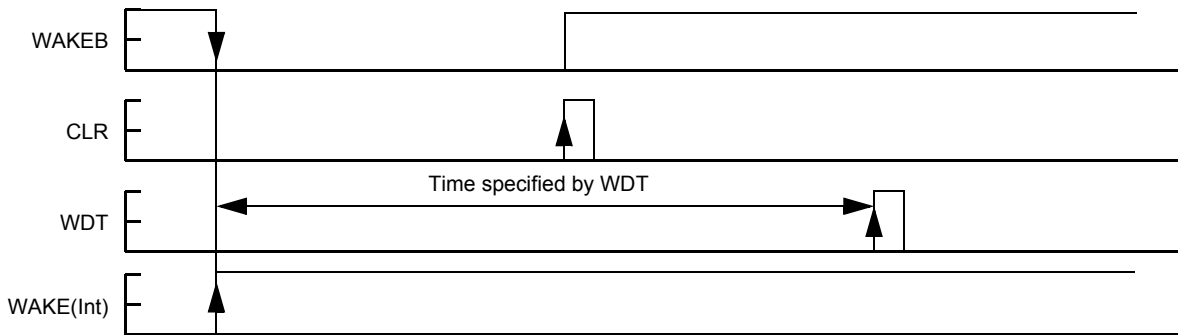


Figure 6. Start-Up Timing Diagram

#### STANDBY POWER SUPPLY CIRCUIT

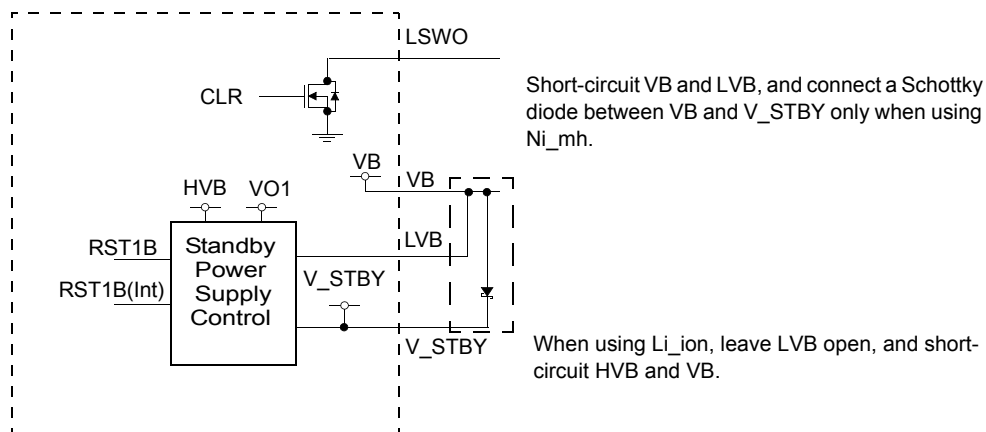


Figure 7. Standby Power Supply Circuit Diagram

When RSTO1B(int) is Low, output LVB voltage to V\_STBY terminal. When RSTO1B(int) is High, output VO1 voltage to V\_STBY terminal. When CLR is Low, LSWO is open. When RSTO1B(int) is High and CLR is High, LSWO output voltage turns GND. When RSTO1B(int) is Low and RSTO1B is High, discharge the external capacitor which is connected to

V\_STBY. When using Ni\_mh, short-circuit VB and LVB to external components and HVB to GND. When using Li\_ion, short-circuit HVB to VB, and leave LVB open. When using Ni\_MH, the VB voltage is output from V\_STBY in Standby mode. When using Li-Ion, 50% of the VB voltage is output to V\_STBY terminal in Standby Mode.

**Table 8. HVB and LVB Connection**

MODE	HVB	LVB
Li_ion	VB <sup>(28)</sup>	open
Ni_mh	GND	VB <sup>(28)</sup>

Notes

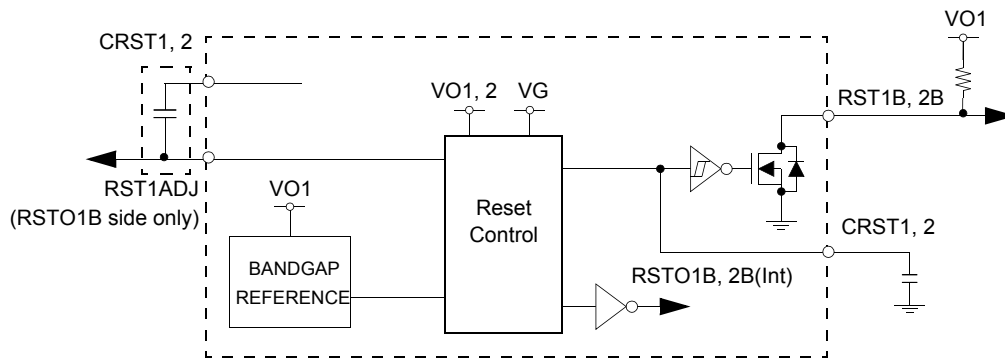
28. Externally connect to VB.

**Table 9. V\_STBY and LSWO Operation**

INPUT			OUTPUT	
WAKE(Int)	RSTO1B(Int)	CLR	V_STBY	LSWO
L	X	X	VB	Z
H	L	X	VB	Z
H	H	L	VO1	Z
H	H	H	VO1	L

Z : High Impedance, X : Don't care

**RESET CIRCUIT**



**Figure 8. Reset Circuit Block Diagram**

When the VO1 or VO2 voltage is higher than the reference value, RSTO1B or 2B goes High. When RSTO1B(int) is Low and RSTO1B is High, SLEEP(int) is forced to place the chip into the standby mode.

Connect a capacitor between RST1ADJ and CRST. The capacitor is not necessary if a resistor of 330KΩ or less is inserted between RST1ADJ and VC1 for reset adjustment

Connect the capacitor between RST1ADJ and RSTB as directed below.

When SEQSEL is Low: Between RST1ADJ and CRST1

When SEQSEL is High: Between RST1ADJ and CRST2

Use a capacitor with approximately half of the capacitance between CRST and GND

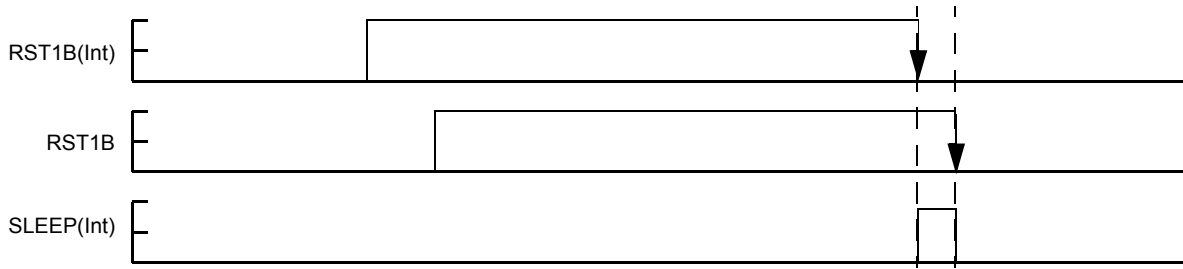


Figure 9. Reset Timing Diagram

**POWER SUPPLY VO1, VO2: NI\_MH**

The VB voltage rises and is output to V11. When RSTO2B(int) is High, the power switch turns ON to output the VO1 voltage to VCC1. Capacitance value which is connected to VO1 should be higher than the capacitor connected to VCC1.

The VB voltage rises or falls and is output to V12. When RSTO2B(int) is High, the power switch turns ON to output the VO2IN voltage to VCC2. If you turn DDC2 OFF using the register, the power switch 2 also turns OFF. Capacitance value which is connected to VO2IN should be higher than the capacitor connected to VCC2.

Table 10. Output Voltage of VO1

Address : 0011(30)								
B7	B6	B5	B4	B3	B2	B1	S_Off_VO1	VO1 [V] <sup>(29)</sup>
L	L	L	L	L	L	L	X	1.613
L	L	L	L	L	L	H	X	1.625
L	L	L	L	L	H	L	X	1.638
L	L	L	L	H	L	L	X	1.663
L	L	L	H	L	L	L	X	1.713
L	L	H	L	L	L	L	X	1.813
L	H	L	L	L	L	L	X	2.013
H	L	L	L	L	L	L	X	2.413
H	L	L	L	L	L	H	X	2.425
H	L	L	L	L	H	L	X	2.438
H	L	L	L	H	L	L	X	2.463
H	L	L	H	L	L	L	X	2.513
H	L	H	L	L	L	L	X	2.613
H	H	L	L	L	L	L	X	2.813
H	H	H	H	H	H	H	X	3.200

Notes

- 29. Operation is not guaranteed when VO1 input voltage is 1.8 V or lower. By connecting a diode between V11 and VO1, V11 can output voltage higher (with the voltage difference Vf) than VO1.
- 30. All combinations of input are not included.

**Table 11. Output Voltage of VO2**

Address : 0100(31)								
B7	B6	B5	B4	B3	B2	B1	S_Off_VO2	VO2 [V]
L	L	L	L	L	L	L	X	0.805
L	L	L	L	L	L	H	X	0.811
L	L	L	L	L	H	L	X	0.816
L	L	L	L	H	L	L	X	0.827
L	L	L	H	L	L	L	X	0.849
L	L	H	L	L	L	L	X	0.893
L	H	L	L	L	L	L	X	0.980
H	L	L	L	L	L	L	X	1.155
H	L	L	L	L	L	H	X	1.161
H	L	L	L	L	H	L	X	1.166
H	L	L	L	H	L	L	X	1.177
H	L	L	H	L	L	L	X	1.199
H	L	H	L	L	L	L	X	1.243
H	H	L	L	L	L	L	X	1.330
H	H	H	H	H	H	H	X	1.500

Notes

31. All combinations of input are not included.

**POWER SUPPLY VO1, VO2: LI-ION**

The VB voltage falls and is output to VO1. When using Li\_ion, duty limit due to DTC1 is not applied to the switch. When RSTO2B(int) is High, the power switch turns ON to output the VO1 voltage to VCC1. Capacitance value which is connected to VO1 should be higher than the capacitor connected to VCC1.

The VB voltage falls using only the internal transistor and is output to VO2. When using Li\_ion, duty limit due to DTC2 is not applied to the switch, and DW\_2T and DW\_2B are Low. When RSTO2B(int) is High, the power switch turns ON to output the VO2IN voltage to VCC2. If you turn DDC2 OFF using the register, the power switch 2 also turns OFF. Capacitance value which is connected to VO2IN should be higher than the capacitor connected to VCC2.

### SERIES PASS POWER SUPPLY

The series pass outputs the SREGI1 voltage to SREGO1, the SREGI2 voltage to SREGO2, and the SREGI3 voltage to

SREGO3. If you use MOSFET as the external component in this case, connect the gate to SREG2G.

**Table 12. Output Voltage of SREG1**

Address : 0101(31)								
B7	B6	B5	B4	B3	B2	B1	Reserved	SREG1 [V] <sup>(32)</sup>
L	L	L	L	L	L	L	H	0.865
L	L	L	L	L	L	H	H	0.880
L	L	L	L	L	H	L	H	0.895
L	L	L	L	H	L	L	H	0.926
L	L	L	H	L	L	L	H	0.986
L	L	H	L	L	L	L	H	1.107
L	H	L	L	L	L	L	H	1.349
H	L	L	L	L	L	L	H	1.833
H	L	L	L	L	L	H	H	1.848
H	L	L	L	H	L	L	H	1.863
H	L	L	L	H	L	L	H	1.893
H	L	L	H	L	L	L	H	1.954
H	L	H	L	L	L	L	H	2.075
H	H	L	L	L	L	L	H	2.317
H	H	H	H	H	H	H	H	2.800

**Notes**

- 32. The SREG1 and 3 output voltages are determined by the combination of external resistances connected to REGC1 and 3 (65.14K $\Omega$  between SREGO1 and REGC1, 34.86K $\Omega$  between REGC1 and GND, 73.84K $\Omega$  between SREGO3 and REGC3, and 26.16K $\Omega$  between REGC3 and GND).
- 33. All combinations of input are not included.

**Table 13. Output Voltage of SREG2**

Address : 0110(31)								
B7	B6	B5	B4	B3	B2	B1	B0	SREG2 [V]
L	L	L	L	L	L	L	L	0.011
L	L	L	L	L	L	L	H	0.022
L	L	L	L	L	L	H	L	0.033
L	L	L	L	L	H	L	L	0.055
L	L	L	L	H	L	L	L	0.098
L	L	L	H	L	L	L	L	0.186
L	L	H	L	L	L	L	L	0.361
L	H	L	L	L	L	L	L	0.711
H	L	L	L	L	L	L	L	1.411
H	L	L	L	L	L	L	H	1.422
H	L	L	L	L	L	H	L	1.433
H	L	L	L	L	H	L	L	1.455
H	L	L	L	H	L	L	L	1.498
H	L	L	H	L	L	L	L	1.586
H	L	H	L	L	L	L	L	1.761
H	H	L	L	L	L	L	L	2.111
H	H	H	H	H	H	H	H	2.800

Notes

34. All combinations of input are not included.

**Table 14. Output Voltage of SREG3**

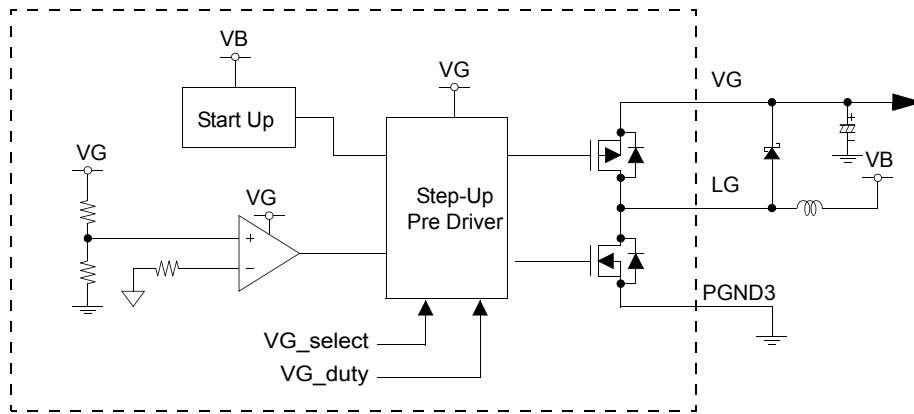
Address : 0111(31)								
B7	B6	B5	B4	B3	B2	CP Off	EXTG On	SREG3 [V] <sup>(35)</sup>
L	L	L	L	L	L	X	X	2.080
L	L	L	L	L	H	X	X	2.091
L	L	L	L	H	L	X	X	2.102
L	L	L	H	L	L	X	X	2.125
L	L	H	L	L	L	X	X	2.170
L	H	L	L	L	L	X	X	2.260
H	L	L	L	L	L	X	X	2.440
H	L	L	L	L	H	X	X	2.451
H	L	L	L	H	L	X	X	2.462
H	L	L	H	L	L	X	X	2.485
H	L	H	L	L	L	X	X	2.530
H	H	L	L	L	L	X	X	2.620
H	H	H	H	H	H	X	X	2.800

Notes

35. The SREG1 and 3 output voltages are determined by the combination of external resistances connected to REGC1 and 3 (65.14KΩ between SREGO1 and REGC1, 34.86KΩ between REGC1 and GND, 73.84KΩ between SREGO3 and REGC3, and 26.16KΩ between REGC3 and GND).

36. All combinations of input are not included.

## VG GENERATOR

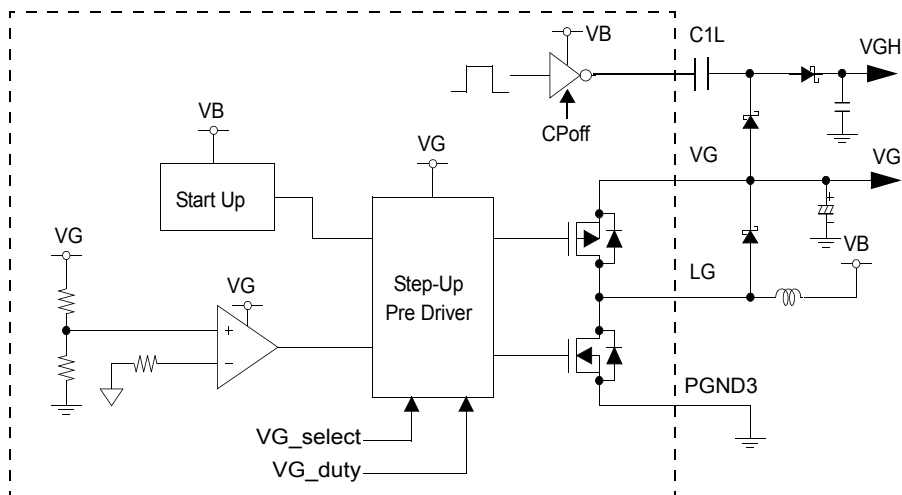


**Figure 10. Circuit when using a Step-Up Converter**

When WAKE (int) goes High from Low, the start-up circuit raises the VB voltage and outputs it to VG, then outputs the VG voltage when RSTO1B (int) goes High. The charge pump circuit can be used for both Ni<sub>mh</sub> and Li<sub>ion</sub> by setting the necessary registers. The charge pump circuit is disabled by default.

The VG voltage can be set to 6 V to 4.5 V according to the combination of VGSEL1 and 2 pin connections. Refer to [Table 16. VG Voltage Settings and VGSEL1 and 2 Pin Connection](#) on page 24 for the VG voltage settings.

When using a charge pump, please refer to [Figure 11](#).



**Figure 11. Circuit When Using a Charge Pump**

**Table 15. VG Duty Settings**

Address : 0010								
Ext/Int	Half Freq	RSTB sleep	S_Off_VG	VG_Duty[3]	VG_Duty[2]	VG_Duty[1]	VG_Duty[0]	Duty
X	X	X	X	L	L	L	L	90 %
X	X	X	X	L	L	L	H	86 %
X	X	X	X	L	L	H	L	82 %
X	X	X	X	L	H	L	L	74 %
X	X	X	X	H	L	L	L	58 %
X	X	X	X	H	L	L	H	54 %
X	X	X	X	H	L	H	L	50 %
X	X	X	X	H	H	L	L	42 %
X	X	X	X	H	H	H	H	30 %

**Table 16. VG Voltage Settings and VGSEL1 and 2 Pin Connection**

VGSEL1	VGSEL2	VG [V]
GND	GND	6.0
GND	VB	5.5
VB	GND	5.0
VB	VB	4.5



## LOGIC COMMANDS AND REGISTERS

### REGISTER MAPPINGS

**Table 17. CLR and SLEEP Control Register**

1000	Data1				Data2			
Bit	3	2	1	0	3	2	1	0
Name	CLR	SLEEP	Reserved	Reserved	Reserved	Reserved	Reserved	Reserved
Default	0	0	0	0	0	0	0	0

CLR : CLR Control

1 = CLR is high

0 = CLR is low

SLEEP : SLEEP Control

1 = SLEEP is high

0 = SLEEP is low

Reserved : Freescale defined register \*1

1 = Forbidden

0 = Required

Reserved : Freescale defined register \*1

1 = Forbidden

0 = Required

Reserved : Freescale defined register \*1

1 = Forbidden

0 = Required

Reserved : Freescale defined register \*1

1 = Forbidden

0 = Required

Reserved : Freescale defined register \*1

1 = Forbidden

0 = Required

Reserved : Freescale defined register \*1

1 = Forbidden

0 = Required

Note : Do NOT change Reserved Register from default value.

\*1: Data write to this address (1000) is allowed for the most significant two bits only. The least significant 6 bits are only used for the factory test. When writing data, always write 0 to these six bits.

**Table 18. Power Mode Register**

0001	Data1				Data2			
Bit	3	2	1	0	3	2	1	0
Name	PSW1	PSW2	RSTO1B	VCC2	SREG1	SREG2	SREG3	RSTO2B
Default	1	1	0	1	1	1	1	0

PSW1 : VCC1 Power Switch control

1 = Power Switch on

0 = Power Switch off

PSW2 : VCC2 Power Switch control

1 = Power Switch on

0 = Power Switch off

RSTO1B : RSTO1B Mask \*1

1 = RSTO1B mask on

0 = RSTO1B mask off

VO2 : DC/DC Converter Channel 2 output Control \*2

1 = DDC2 on

0 = DDC2 off

SREG1 : Series Pass Regulator Channel1 output Control

1 = Regulator on

0 = Regulator off

SREG2 : Series Pass Regulator Channel2 output Control \*3

1 = Regulator off

0 = Regulator on

SREG3 : Series Pass Regulator Channel3 output Control

1 = Regulator on

0 = Regulator off

RSTO2B : RSTO2B Mask \*1

1 = RSTO2B mask on

0 = RSTO2B mask off

\*1: When switching the output voltage of VO1 (2), write 1 to the RSTO1B (2) Mask bit in advance to fix the rest output to High for preventing erroneous operation.

\*2: When turning DDC2 OFF, set the RSTO2B bit to High to Mask RSTO2B. If you turn DDC2 OFF, the power switch 2 also turns OFF.

**Table 19. Clock Select Register**

0010	Data1				Data2			
Bit	3	2	1	0	3	2	1	0
Name	Ext/Int	Half Freq	RSTB sleep	S_Off_VG	VG_Duty [3]	VG_Duty[2]	VG_Duty[1]	VG_Duty[0]
Default	0	0	1	0	0	0	0	0

Ext / Int : Clock Select control 1  
 1 = External Clock  
 0 = Internal Clock

2FS : Clock Select control 2  
 1 = 2FS on  
 0 = 2FS off

RSTB Sleep : RSTB Sleep Monitor \*1  
 1 = RSTB SLEEP Monitor off  
 0 = RSTB SLEEP Monitor on

S\_Off\_VG : VG Top side transistor off  
 1 = Synchronous Rectification Off  
 0 = Synchronous Rectification On

VG\_Duty[3] : VG Duty Control MSB  
 1 = VG Duty[3] is high  
 0 = VG Duty[3] is low

VG\_Duty[2] : VG Duty Control Bit 2  
 1 = VG Duty[2] is high  
 0 = VG Duty[2] is low

VG\_Duty[1] : VG Duty Control Bit1  
 1 = VG Duty[1] is high  
 0 = VG Duty[1] is low

VG\_Duty[0] : VG Duty Control LSB  
 1 = VG Duty[0] is high  
 0 = VG Duty[0] is low

VG is controlled by PFM method. This register can change the duty by 16 steps.

Refer to [Table 15. VG Duty Settings](#) on page 24 for the correspondence between the VG Duty maximum values and register settings.

**Table 20. VO1 Output Voltage Register**

0011	Data1				Data2			
Bit	3	2	1	0	3	2	1	0
Name	VO1_V[6]	VO1_V[5]	VO1_V[4]	VO1_V[3]	VO1_V[2]	VO1_V[1]	VO1_V[0]	S_Off_VO1
Default	1	0	0	0	0	0	0	0

VO1\_V[6] : Reference DAC MSB  
 1 = VO1\_V[6] on  
 0 = VO1\_V[6] off

VO1\_V[5] : Reference DAC Bit5  
 1 = VO1\_V[5] on  
 0 = VO1\_V[5] off

VO1\_V[4] : Reference DAC Bit4  
 1 = VO1\_V[4] on  
 0 = VO1\_V[4] off

VO1\_V[3] : Reference DAC Bit3  
 1 = VO1\_V[3] on  
 0 = VO1\_V[3] off

VO1\_V[2] : Reference DAC Bit2  
 1 = VO1\_V[2] on  
 0 = VO1\_V[2] off

VO1\_V[1] : Reference DAC Bit1  
 1 = VO1\_V[1] on  
 0 = VO1\_V[1] off

VO1\_V[0] : Reference DAC LSB  
 1 = VO1\_V[0] on  
 0 = VO1\_V[0] off

S\_Off\_VO1 : DDC1 Top side (Ni\_mh) / Bottom side (Li\_ion) transistor off  
 1 = Synchronous Rectification Off  
 0 = Synchronous Rectification On

Refer to [Table 10. Output Voltage of VO1](#) on page 19 for the correspondence between the output voltage and register settings.

**Table 21. VO2 Output Voltage Register**

0100	Data1				Data2			
Bit	3	2	1	0	3	2	1	0
Name	VO2_V[6]	VO2_V[5]	VO2_V[4]	VO2_V[3]	VO2_V[2]	VO2_V[1]	VO2_V[0]	S_Off_VO2
Default	1	0	0	0	0	0	0	0

VO2\_V[6] : Reference DAC MSB  
1 = VO2\_V[6] on  
0 = VO2\_V[6] off

VO2\_V[5] : Reference DAC Bit5  
1 = VO2\_V[5] on  
0 = VO2\_V[5] off

VO2\_V[4] : Reference DAC Bit4  
1 = VO2\_V[4] on  
0 = VO2\_V[4] off

VO2\_V[3] : Reference DAC Bit3  
1 = VO2\_V[3] on  
0 = VO2\_V[3] off

VO2\_V[2] : Reference DAC Bit2  
1 = VO2\_V[2] on  
0 = VO2\_V[2] off

VO2\_V[1] : Reference DAC Bit1  
1 = VO2\_V[1] on  
0 = VO2\_V[1] off

VO2\_V[0] : Reference DAC LSB  
1 = VO2\_V[0] on  
0 = VO2\_V[0] off

S\_Off\_VO2 : DDC2 Top side & DW2B (Ni\_mh) / Bottom side (Li\_ion) transistor off  
1 = Synchronous Rectification Off  
0 = Synchronous Rectification On

Refer to [Table 11, Output Voltage of VO2](#) on page 20 for the correspondence between the output voltage and register settings.

**Table 22. Regulator1 Output Voltage Register**

0101	Data1				Data2			
Bit	3	2	1	0	3	2	1	0
Name	SREG1_V[6]	SREG1_V[5]	SREG1_V[4]	SREG1_V[3]	SREG1_V[2]	SREG1_V[1]	SREG1_V[0]	Reserved
Default	1	1	1	1	1	1	1	1

SREG1\_V[6] : Reference DAC MSB  
1 = SREG1\_V[6] on  
0 = SREG1\_V[6] off

SREG1\_V[5] : Reference DAC Bit5  
1 = SREG1\_V[5] on  
0 = SREG1\_V[5] off

SREG1\_V[4] : Reference DAC Bit4  
1 = SREG1\_V[4] on  
0 = SREG1\_V[4] off

SREG1\_V[3] : Reference DAC Bit3  
1 = SREG1\_V[3] on  
0 = SREG1\_V[3] off

SREG1\_V[2] : Reference DAC Bit2  
1 = SREG1\_V[2] on  
0 = SREG1\_V[2] off

SREG1\_V[1] : Reference DAC Bit1  
1 = SREG1\_V[1] on  
0 = SREG1\_V[1] off

SREG1\_V[0] : Reference DAC LSB  
1 = SREG1\_V[0] on  
0 = SREG1\_V[0] off

Reserved : Blank register bit (Freescale Pre-Defined Register)  
1 = Preferred  
0 = Forbidden

Note : Do NOT change Reserved Register from default value.

Refer to [Table 12, Output Voltage of SREG1](#) on page 21 for the correspondence between the output voltage and register settings.

**Table 23. Regulator2 Output Voltage Register**

0110	Data1				Data2			
Bit	3	2	1	0	3	2	1	0
Name	SREG2_V[7]	SREG2_V[6]	SREG2_V[5]	SREG2_V[4]	SREG2_V[3]	SREG2_V[2]	SREG2_V[1]	SREG2_V[0]
Default	1	1	1	1	1	1	1	1

SREG2\_V[7]: Reference DAC MSB  
 1 = SREG2\_V[7] on  
 0 = SREG2\_V[7] off

SREG2\_V[6]: Reference DAC Bit6  
 1 = SREG2\_V[6] on  
 0 = SREG2\_V[6] off

SREG2\_V[5]: Reference DAC Bit5  
 1 = SREG2\_V[5] on  
 0 = SREG2\_V[5] off

SREG2\_V[4]: Reference DAC Bit4  
 1 = SREG2\_V[4] on  
 0 = SREG2\_V[4] off

SREG2\_V[3]: Reference DAC Bit3  
 1 = SREG2\_V[3] on  
 0 = SREG2\_V[3] off

SREG2\_V[2]: Reference DAC Bit2  
 1 = SREG2\_V[2] on  
 0 = SREG2\_V[2] off

SREG2\_V[1]: Reference DAC Bit1  
 1 = SREG2\_V[1] on  
 0 = SREG2\_V[1] off

SREG2\_V[0]: Reference DAC LSB  
 1 = SREG2\_V[0] on  
 0 = SREG2\_V[0] off

Refer to [Table 13, Output Voltage of SREG2](#) on page 22 for the correspondence between the output voltage and register settings.

**Table 24. Regulator3 Output Voltage Register**

0111	Data1				Data2			
Bit	3	2	1	0	3	2	1	0
Name	SREG3_V[5]	SREG3_V[4]	SREG3_V[3]	SREG3_V[2]	SREG3_V[1]	SREG3_V[0]	CP Off	EXTG On
Default	1	1	1	1	1	1	1	1

SREG3\_V[5]: Reference DAC MSB  
 1 = SREG3\_V[5] on  
 0 = SREG3\_V[5] off

SREG3\_V[4]: Reference DAC Bit4  
 1 = SREG3\_V[4] on  
 0 = SREG3\_V[4] off

SREG3\_V[3]: Reference DAC Bit3  
 1 = SREG3\_V[3] on  
 0 = SREG3\_V[3] off

SREG3\_V[2]: Reference DAC Bit2  
 1 = SREG3\_V[2] on  
 0 = SREG3\_V[2] off

SREG3\_V[1]: Reference DAC Bit1  
 1 = SREG3\_V[1] on  
 0 = SREG3\_V[1] off

SREG3\_V[0]: Reference DAC LSB  
 1 = SREG3\_V[0] on  
 0 = SREG3\_V[0] off

CP Off: Charge Pump Control  
 1 = Charge Pump off  
 0 = Charge Pump on

EXTG On: EXT\_G\_ON Control \*  
 1 = EXT\_G\_ON is low (GND level)  
 0 = EXT\_G\_ON is high (VG level)

EXTG On Register is assumed to use Pch FET as external MOSFET.

If Nch FET will be used, Control logic should be inverted.

Refer to [Table 14, Output Voltage of SREG3](#) on page 22 for the correspondence between the output voltage and register settings.

### TYPICAL APPLICATIONS

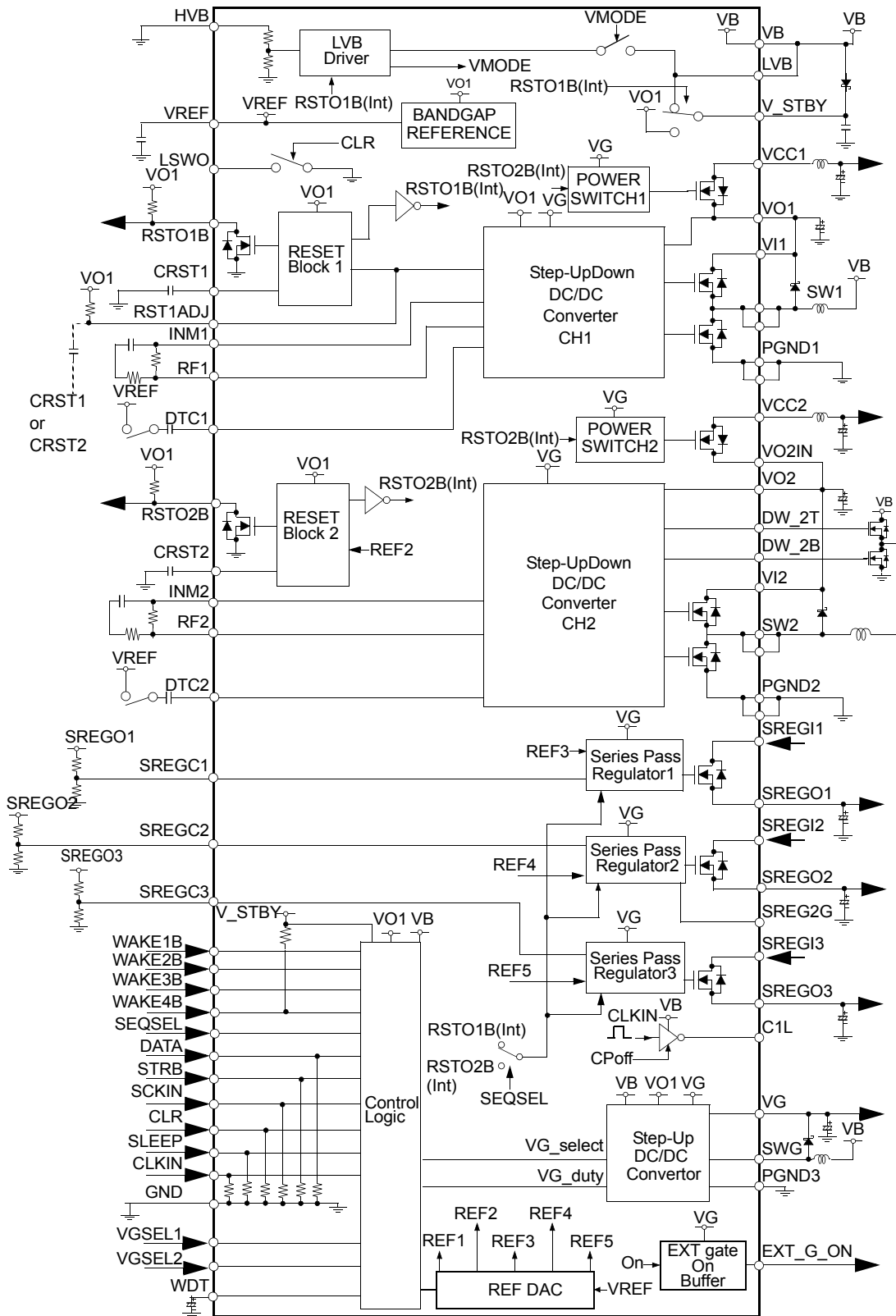


Figure 12. MPC18730 Typical Application Diagram (Ni-MH Battery)

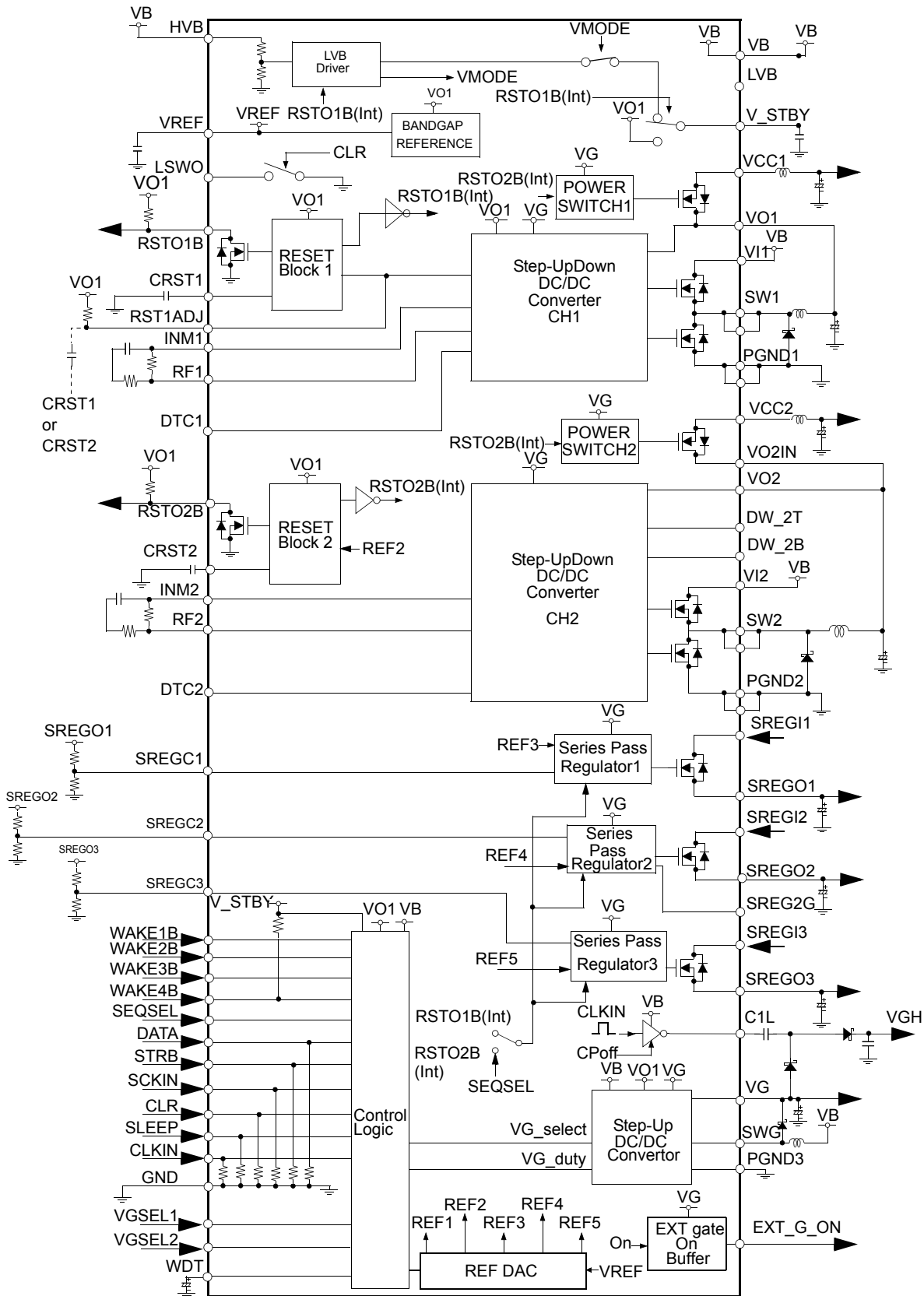
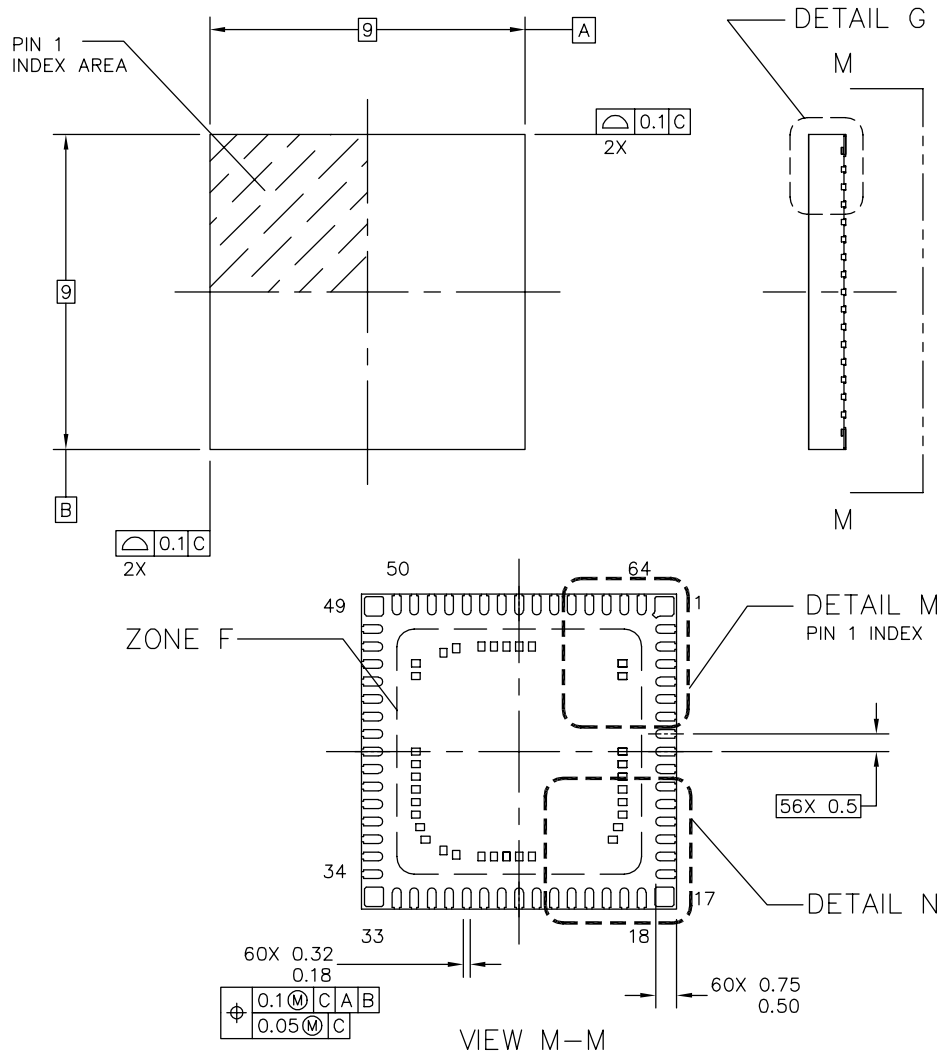


Figure 13. MPC18730 Typical Application Diagram (Li-Ion Battery)

# PACKAGING

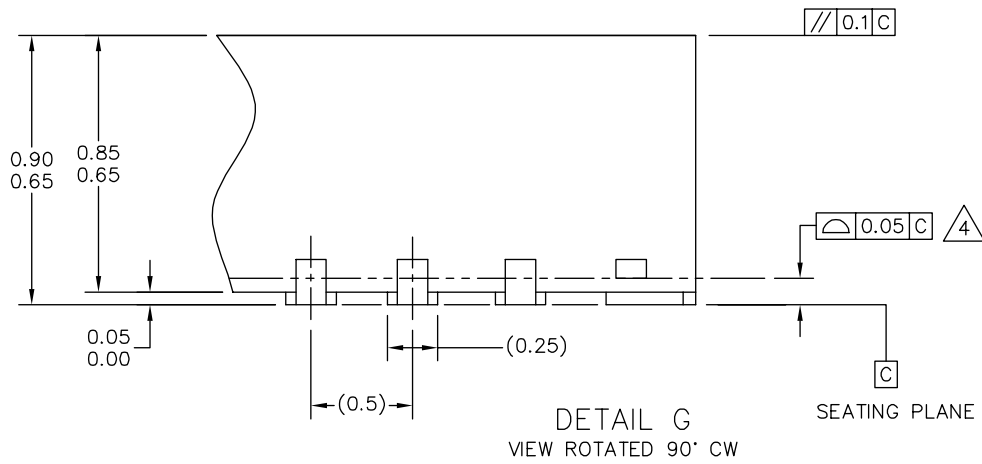
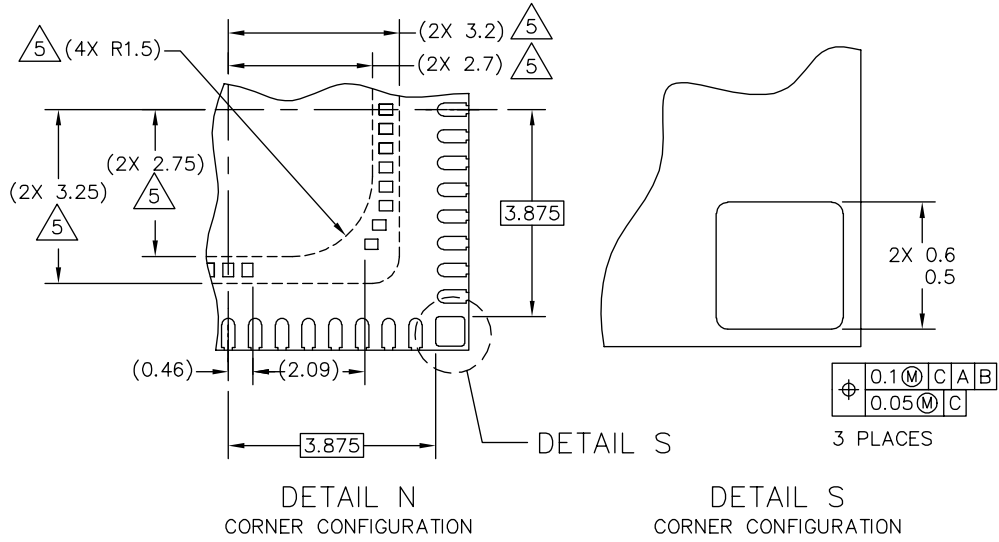
## PACKAGE DIMENSIONS

For the most current package revision, visit [www.freescale.com](http://www.freescale.com) and perform a keyword search using the "98A" listed below.



© FREESCALE SEMICONDUCTOR, INC. ALL RIGHTS RESERVED.	<b>MECHANICAL OUTLINE</b>	PRINT VERSION NOT TO SCALE
TITLE: QUAD FLAT NON-LEADED PACKAGE (QFN), 64 TERMINAL 0.5 PITCH(9 X 9 X 0.75)	DOCUMENT NO: 98ARL10571D	REV: B
	CASE NUMBER: 1497-02	12 AUG 2005
	STANDARD: NON-JEDEC	

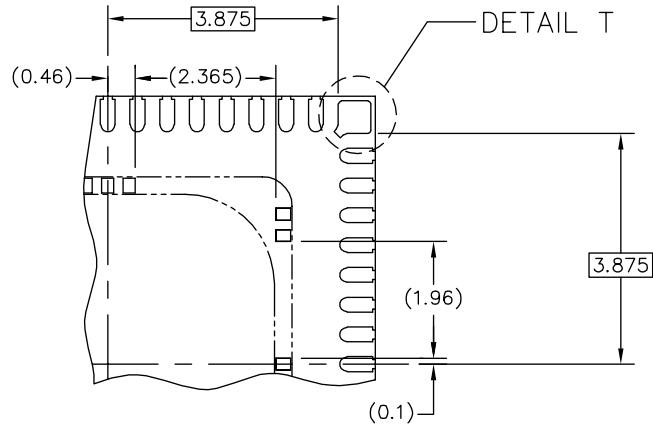
**EP (Pb-FREE) SUFFIX**  
**64-TERMINAL 0.5mm pitch**  
**PLASTIC PACKAGE**  
**98ARL10571D**  
**ISSUE B**



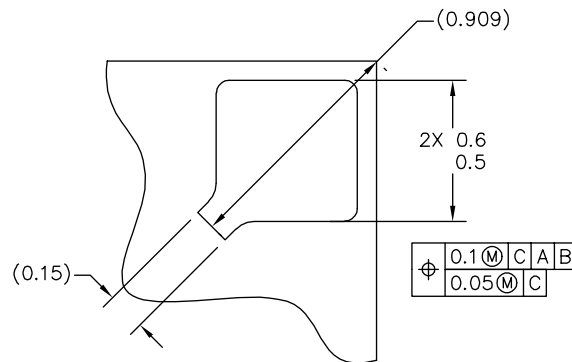
© FREESCALE SEMICONDUCTOR, INC. ALL RIGHTS RESERVED.	<b>MECHANICAL OUTLINE</b>	PRINT VERSION NOT TO SCALE
TITLE: QUAD FLAT NON-LEADED PACKAGE (QFN), 64 TERMINAL 0.5 PITCH(9 X 9 X 0.75)	DOCUMENT NO: 98ARL10571D	REV: B
	CASE NUMBER: 1497-02	12 AUG 2005
	STANDARD: NON-JEDEC	

**EP (Pb-FREE) SUFFIX**  
**64-TERMINAL 0.5mm pitch**  
**PLASTIC PACKAGE**  
**98ARL10571D**  
**ISSUE B**





DETAIL M  
BACKSIDE PIN 1 INDEX



DETAIL T  
BACKSIDE PIN 1 INDEX

© FREESCALE SEMICONDUCTOR, INC. ALL RIGHTS RESERVED.	<b>MECHANICAL OUTLINE</b>	PRINT VERSION NOT TO SCALE	
TITLE: QUAD FLAT NON-LEADED PACKAGE (QFN), 64 TERMINAL 0.5 PITCH(9 X 9 X 0.75)	DOCUMENT NO: 98ARL10571D	REV: B	
	CASE NUMBER: 1497-02	12 AUG 2005	
	STANDARD: NON-JEDEC		

**EP (Pb-FREE) SUFFIX**  
**64-TERMINAL 0.5mm pitch**  
**PLASTIC PACKAGE**  
**98ARL10571D**  
**ISSUE B**



NOTES:

1. ALL DIMENSIONS ARE IN MILLIMETERS.
2. DIMENSIONING AND TOLERANCING PER ASME Y14.5M-1994.
3. THE COMPLETE JEDEC DESIGNATOR FOR THIS PACKAGE IS: F-PQFP-N.
4. COPLANARITY APPLIES TO LEADS AND CORNER LEADS.
5. BOUNDARY OF EXPOSED METAL PADS LOCATED.

© FREESCALE SEMICONDUCTOR, INC. ALL RIGHTS RESERVED.	<b>MECHANICAL OUTLINE</b>	PRINT VERSION NOT TO SCALE	
TITLE: QUAD FLAT NON-LEADED PACKAGE (QFN), 64 TERMINAL 0.5 PITCH(9 X 9 X 0.75)	DOCUMENT NO: 98ARL10571D	REV: B	
	CASE NUMBER: 1497-02	12 AUG 2005	
	STANDARD: NON-JEDEC		

**EP (Pb-FREE) SUFFIX  
64-TERMINAL 0.5mm pitch  
PLASTIC PACKAGE  
98ARL10571D  
ISSUE B**

## REVISION HISTORY

Revision	Date	Description of Changes
1.0	10/2005	<ul style="list-style-type: none"><li>Initial Release</li></ul>

## NOTES

## **How to Reach Us:**

### **Home Page:**

[www.freescale.com](http://www.freescale.com)

### **E-mail:**

[support@freescale.com](mailto:support@freescale.com)

### **USA/Europe or Locations Not Listed:**

Freescale Semiconductor  
Technical Information Center, CH370  
1300 N. Alma School Road  
Chandler, Arizona 85224  
+1-800-521-6274 or +1-480-768-2130  
[support@freescale.com](mailto:support@freescale.com)

### **Europe, Middle East, and Africa:**

Freescale Halbleiter Deutschland GmbH  
Technical Information Center  
Schatzbogen 7  
81829 Muenchen, Germany  
+44 1296 380 456 (English)  
+46 8 52200080 (English)  
+49 89 92103 559 (German)  
+33 1 69 35 48 48 (French)  
[support@freescale.com](mailto:support@freescale.com)

### **Japan:**

Freescale Semiconductor Japan Ltd.  
Headquarters  
ARCO Tower 15F  
1-8-1, Shimo-Meguro, Meguro-ku,  
Tokyo 153-0064  
Japan  
0120 191014 or +81 3 5437 9125  
[support.japan@freescale.com](mailto:support.japan@freescale.com)

### **Asia/Pacific:**

Freescale Semiconductor Hong Kong Ltd.  
Technical Information Center  
2 Dai King Street  
Tai Po Industrial Estate  
Tai Po, N.T., Hong Kong  
+800 2666 8080  
[support.asia@freescale.com](mailto:support.asia@freescale.com)

### **For Literature Requests Only:**

Freescale Semiconductor Literature Distribution Center  
P.O. Box 5405  
Denver, Colorado 80217  
1-800-441-2447 or 303-675-2140  
Fax: 303-675-2150  
[LDCForFreescaleSemiconductor@hibbertgroup.com](mailto:LDCForFreescaleSemiconductor@hibbertgroup.com)

Information in this document is provided solely to enable system and software implementers to use Freescale Semiconductor products. There are no express or implied copyright licenses granted hereunder to design or fabricate any integrated circuits or integrated circuits based on the information in this document.

Freescale Semiconductor reserves the right to make changes without further notice to any products herein. Freescale Semiconductor makes no warranty, representation or guarantee regarding the suitability of its products for any particular purpose, nor does Freescale Semiconductor assume any liability arising out of the application or use of any product or circuit, and specifically disclaims any and all liability, including without limitation consequential or incidental damages. "Typical" parameters that may be provided in Freescale Semiconductor data sheets and/or specifications can and do vary in different applications and actual performance may vary over time. All operating parameters, including "Typicals", must be validated for each customer application by customer's technical experts. Freescale Semiconductor does not convey any license under its patent rights nor the rights of others. Freescale Semiconductor products are not designed, intended, or authorized for use as components in systems intended for surgical implant into the body, or other applications intended to support or sustain life, or for any other application in which the failure of the Freescale Semiconductor product could create a situation where personal injury or death may occur. Should Buyer purchase or use Freescale Semiconductor products for any such unintended or unauthorized application, Buyer shall indemnify and hold Freescale Semiconductor and its officers, employees, subsidiaries, affiliates, and distributors harmless against all claims, costs, damages, and expenses, and reasonable attorney fees arising out of, directly or indirectly, any claim of personal injury or death associated with such unintended or unauthorized use, even if such claim alleges that Freescale Semiconductor was negligent regarding the design or manufacture of the part.

Freescale™ and the Freescale logo are trademarks of Freescale Semiconductor, Inc. All other product or service names are the property of their respective owners.

© Freescale Semiconductor, Inc., 2005. All rights reserved.

