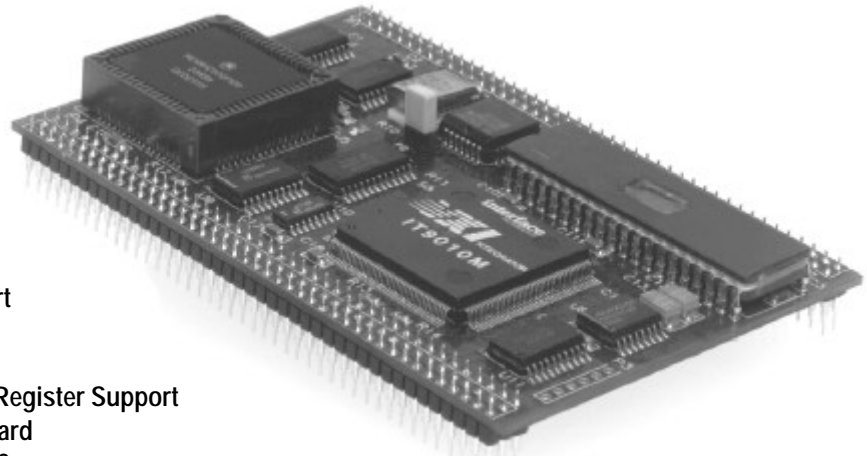




DT9150 Interface Daughter Card

VXI DEVELOPMENT PRODUCTS



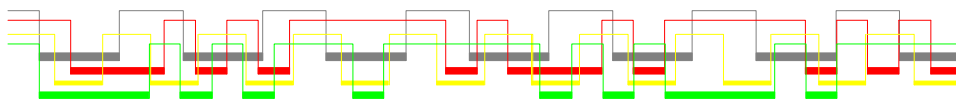
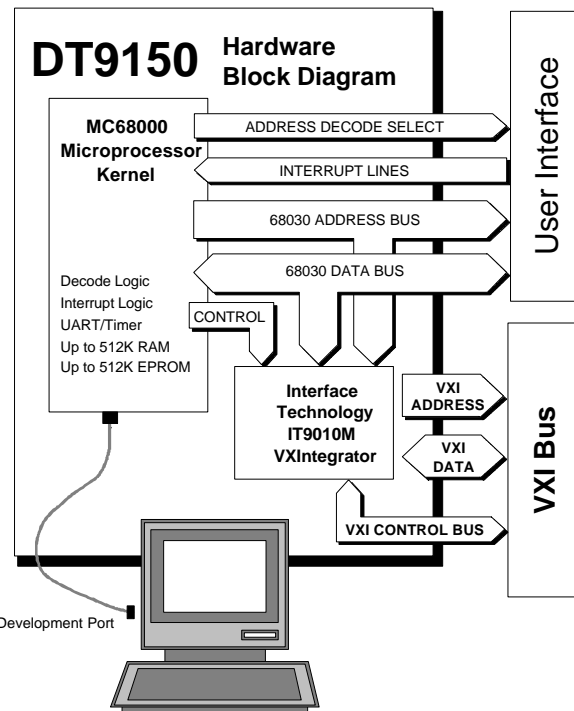
- 16 MHz 68000 Microprocessor
- Up to 512K RAM
- Up to 512K EPROM
- Optional RS-232 Development Port
- Supports VXI Bus Master
- A24 / A32 Shared Memory Control
- Device Dependent and Reserved Register Support
- All Required VXI Registers On Board
- Supports D8/D16/D32/A16/A24/A32
- Programmable Interrupter
- Dynamic or Static Configuration

16 MHz

The DT9150 provides a compact message-based VXI interface implemented on 13.5 square inches of board space. This leaves 90+ square inches of unrestricted design space on a standard C-size module, plus 10 sq. in. of additional space available under the DT9150. Optional RS-232 port can be used with many development packages for source level debugging.

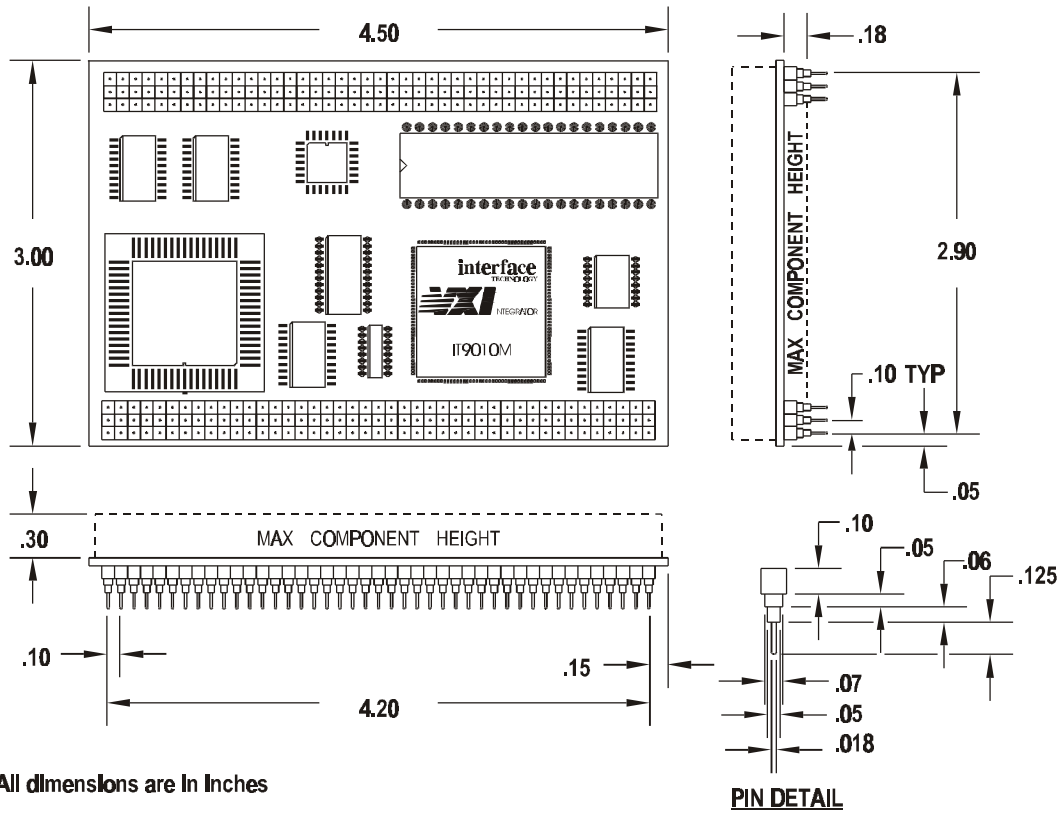
The DT9150 represents the state-of-the-art approach to VXI product development and manufacturing. Taking advantage of the robust feature set of the IT9010M VXIntegrator® chip, the DT9150 combines all of the elements necessary to implement a full message-based VXI interface, with a minimum of space and effort.

The IT9010M provides all of the configuration registers and message-based device registers required by the VXI specification. Also included are control circuitry, arbitration between the VXIbus and the module's local bus (microprocessor bus), bus master support, and support for the Analyzer Registers used in VME shared access RAM operations. Required and optional functions, such as Read Ready and Write Ready violation detection, Data and Signal Register Location Monitors, and a Multiple Query Error Flag are all provided on chip.



interface
TECHNOLOGY

DT9150 SPECIFICATIONS*



Absolute Maximum Ratings:

Supply Voltage (Vcc)		
Minimum	-0.3 V	
Maximum	+6.5 V	
Input Voltage (Vi)		
Minimum	-0.3 V	
Maximum	Vcc + 0.5 V	
Output Voltage (Vo)		
Minimum	-0.3 V	
Maximum	Vcc + 0.5 V	
Temperature		
Storage (Tstg)	-40° C to +70° C	
Operating (Topr)	0° C to +50° C	

Recommended Operating Conditions:

Supply Voltage (Vcc)	
Minimum	4.75 V
Typical	5.0 V
Maximum	5.25 V
Input High Voltage (Vih)	2.2 V, min.
Input Low Voltage (Vil)	0.8 V, max.

Operating Temperature (Topr):

Minimum	0° C
Maximum	+50° C

Supply Current @ 5 V:

1000 mA

Output Current (Ios)¹:

	Min (mA)**	Max (mA) ²
O	-40	+40
O(H)	-90	+180
O(ACT)	-75	+75
O(ALS)	-112	+75
O(COM)	-10	+10
I/O(ACT)	-75	+75
I/O(FA)	-150	+75
I/O(V)	-75	+75
O(V)	-75	+75

- 1 No more than one output should be shorted at one time. Duration of short should not exceed 1 sec.
- 2 Current out of a terminal is given as a negative value.

* Specifications subject to change without notice.