

**Applications**

- 5GHz WLAN, IEEE 802.11a and HIPERLAN
- VSAT at 3.6 to 4.2 GHz
- Satellite Communications at 4.5 to 4.8 GHz
- 5 Gbps Clock Generator

**Features**

- Low Phase Noise, -141dBc/Hz at 1kHz offset
- Single Supply Voltage, 2.7 - 4.0 V
- Low Power Consumption, 42mW
- Power Down Mode, 0.2 $\mu$ A
- Compatible with common PLL synthesizer ICs
- 8-Pin Plastic SOIC Package

**Product Description**

The D602 is a SiGe divide-by-2 low noise static prescaler capable of operation up to 6.0 GHz. The D602 operates over a wide range of input frequencies and levels, and provides differential outputs for low noise operation with the common PLL style frequency synthesizer ICs.

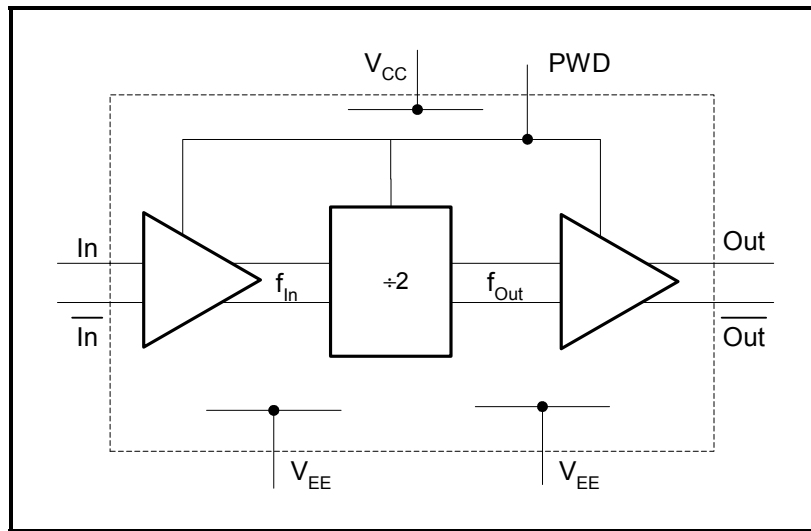
The static nature of the prescaler prevents spurious generation.

The D602 prescaler can operate from either a single positive or single negative supply with power down mode for low standby power consumption.

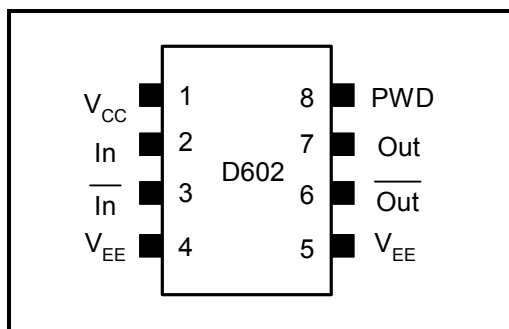
**Ordering Information**

Type	Package	Remark
D602	8-Pin SOIC	Plastic Package

**Functional Block Diagram**



**Pin Out Diagram**



**Pin Out Description**

Pin No.	Name	Description
1	V <sub>CC</sub>	Power Supply Voltage Input
2	In	Prescaler Input (internally-biased)
3	In̄	Prescaler Complementary Input (internally-biased)
4	V <sub>EE</sub>	Ground for Input (pins 4 and 5 must be connected to the same potential)
5	V <sub>EE</sub>	Ground for Output (pins 4 and 5 must be connected to the same potential)
6	Out̄	Complementary Output (open-collector)
7	Out	Output (open-collector)
8	PWD	Power Down high impedance CMOS input. When PWD is high, the part is powered down.

**Absolute Maximum Ratings**

Operation in excess of any one of above Absolute Maximum Ratings may result in permanent damage. This device is a high performance RF integrated and is ESD sensitive. The RF inputs on this device are Class 0 ESD rated; therefore suitable precaution should be taken during handling, assembly and testing.

Symbol	Parameter	Min.	Max.	Unit
	Supply Voltage	-0.3	+4.3	V
	Voltage on any pin with respect to V <sub>EE</sub>	-0.3	V <sub>CC</sub> + 0.3	V
	Differential input voltage	-2.0	+2.0	V
	Storage Temperature	-65	+150	°C

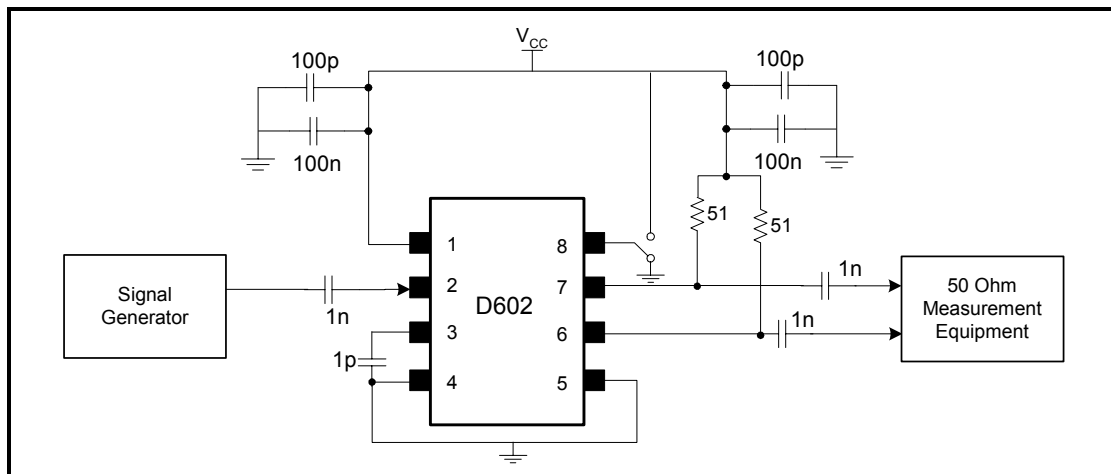
### Electrical Characteristics

Conditions:  $V_{CC} = 3.0V$ ,  $-40^{\circ}C < T_A < 85^{\circ}C$  unless otherwise specified

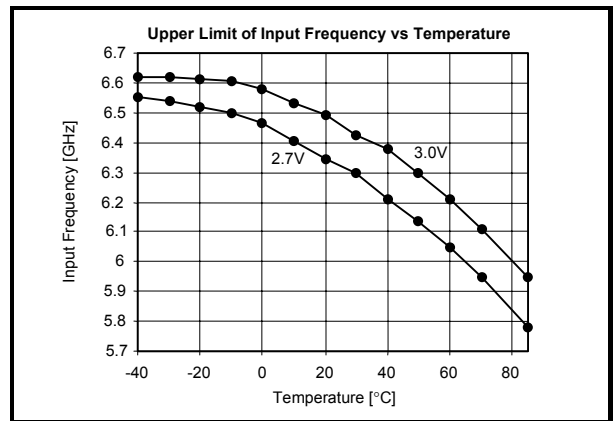
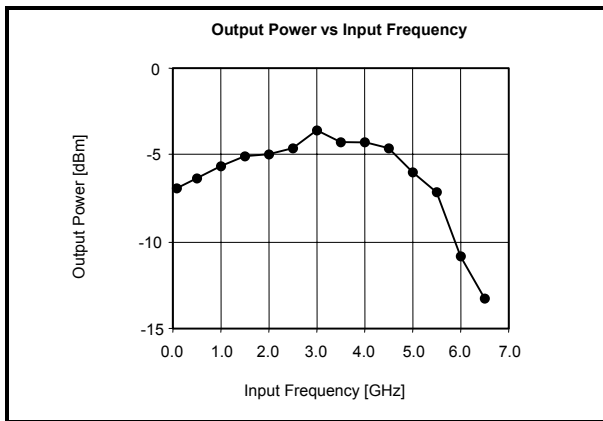
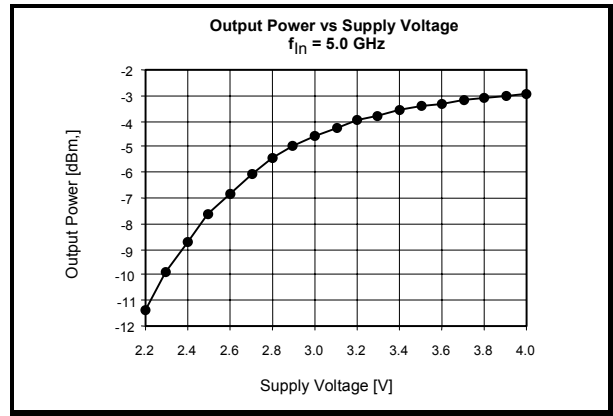
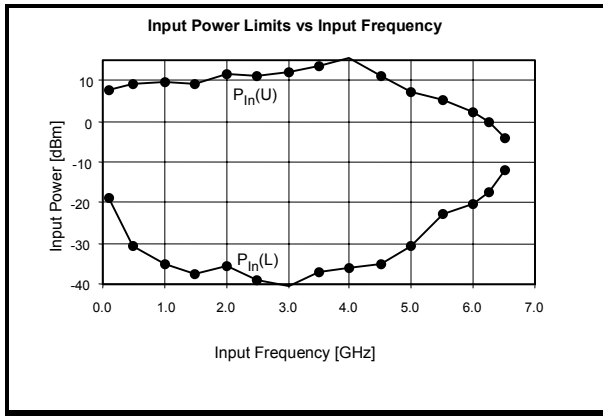
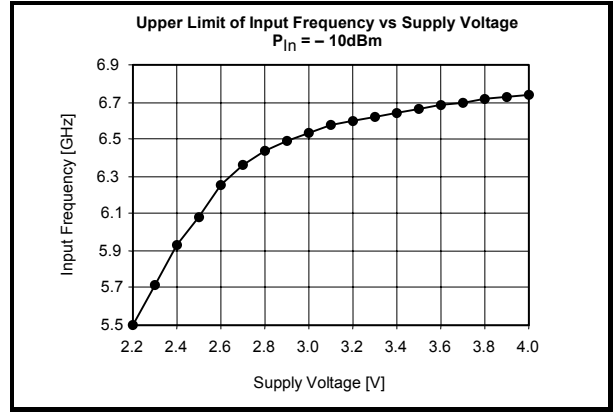
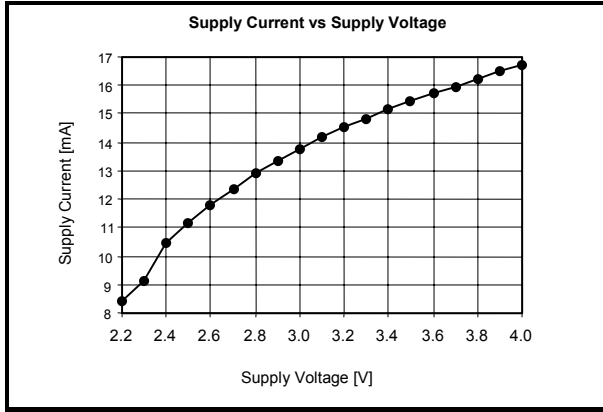
Symbol	Parameter	Note	Min.	Typ.	Max.	Unit
$V_{CC}$	Supply Voltage		2.7	3.0	4.0	V
$T_A$	Operating Temperature	1	-40	25	85	$^{\circ}C$
$I_{CC}$	Supply Current			14	18	mA
$I_{CC-PWDN}$	Power-Down Supply Current ( $V_{PWD} = \text{High}$ )			0.2	1.0	$\mu A$
$f_{in(U)}$	Upper Limit of Input Frequency	2	5.8	6.4		GHz
$f_{in(L)}$	Lower Limit of Input Frequency	2		0.6	1.0	GHz
$f_{Osc}$	Self Oscillation Output Frequency	3		1.0		GHz
$P_{In(U)}$	Upper Limit of Input Power		0	3		dBm
$P_{In(L)}$	Lower Limit of Input Power			-20	-10	dBm
$P_{Out}$	Output Power	4	-15.0		0	dBm
$V_{IH}$	High-Level PWD Input Voltage		$V_{CC} - 0.2$			V
$V_{IL}$	Low-Level PWD Input Voltage				0.2	V
$I_{IH}$	High-Level PWD Input Current		-100.0		100.0	nA
$I_{IL}$	Low-Level PWD Input Current		-100.0		100.0	nA
PN	Residual Phase Noise at 1kHz offset from a 2.5GHz ( $f_{out}$ ) carrier			-141		dBc/Hz

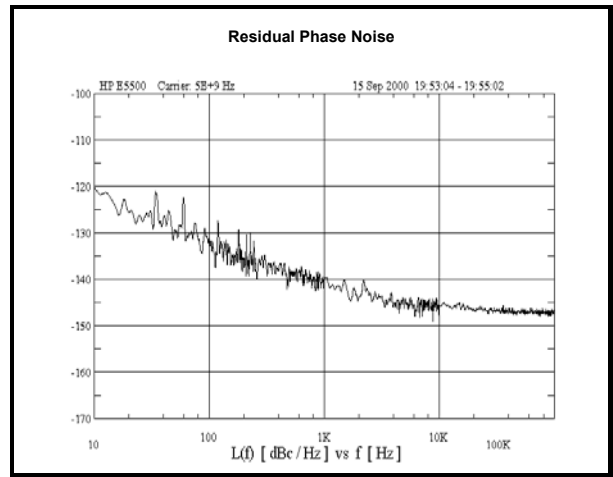
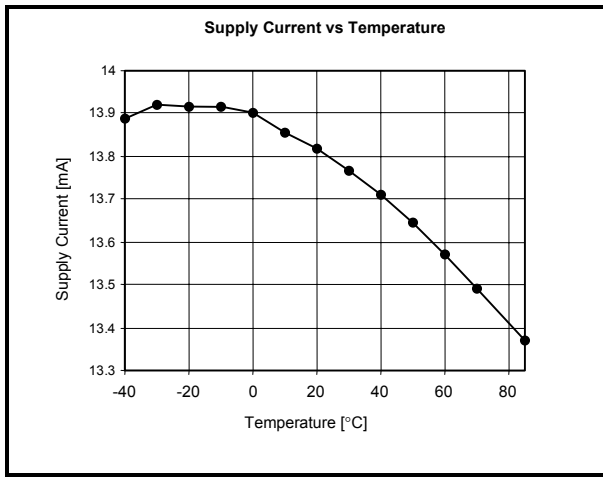
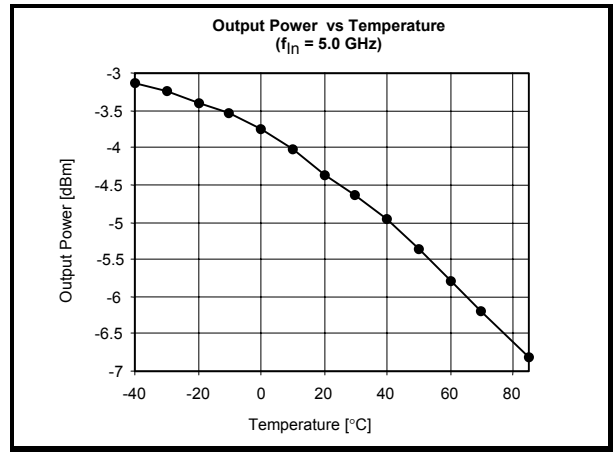
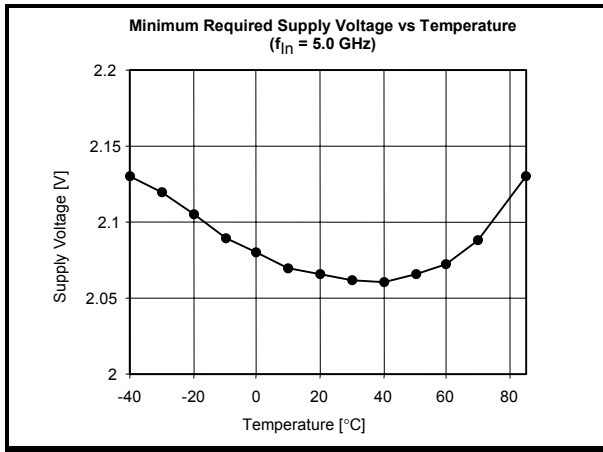
- Notes:**
- (1) Sample Tested
  - (2) For a sine-wave input
  - (3) Since the input signal is AC coupled, in the absence of an RF input, the prescaler may self oscillate and provide an output at this frequency. Self oscillation can be eliminated by powering down the prescaler, or applying a differential DC input voltage (a 47k $\Omega$  resistor placed between pin 3 and  $V_{CC}$ ).
  - (4) This power is delivered to a 50 $\Omega$  load. It excludes the power dissipated in the external pull-up resistors.

### Test Circuit

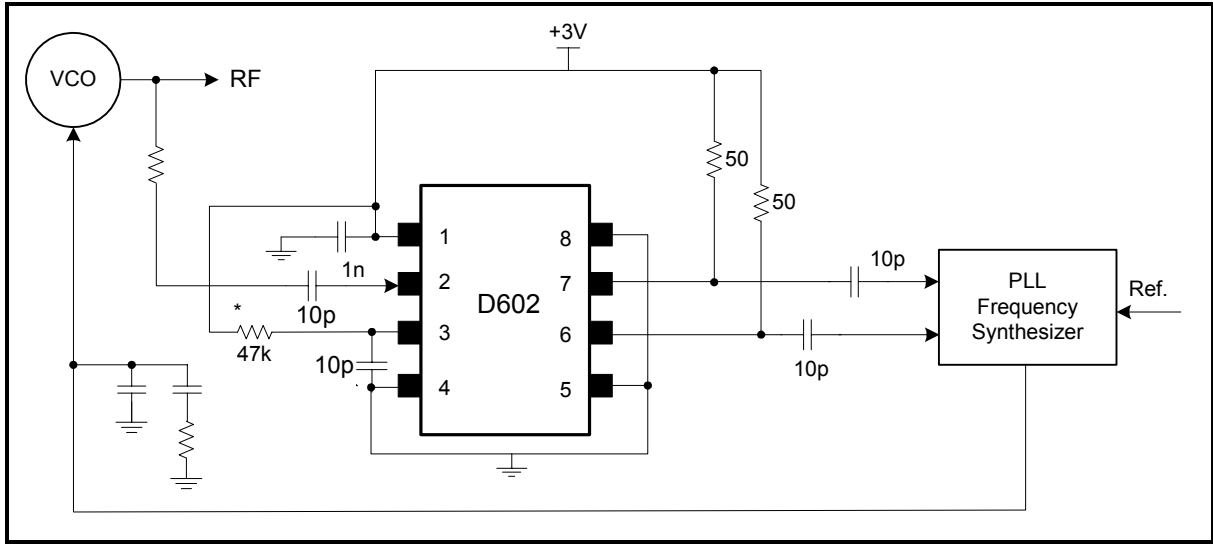


**Typical Performance Characteristics**





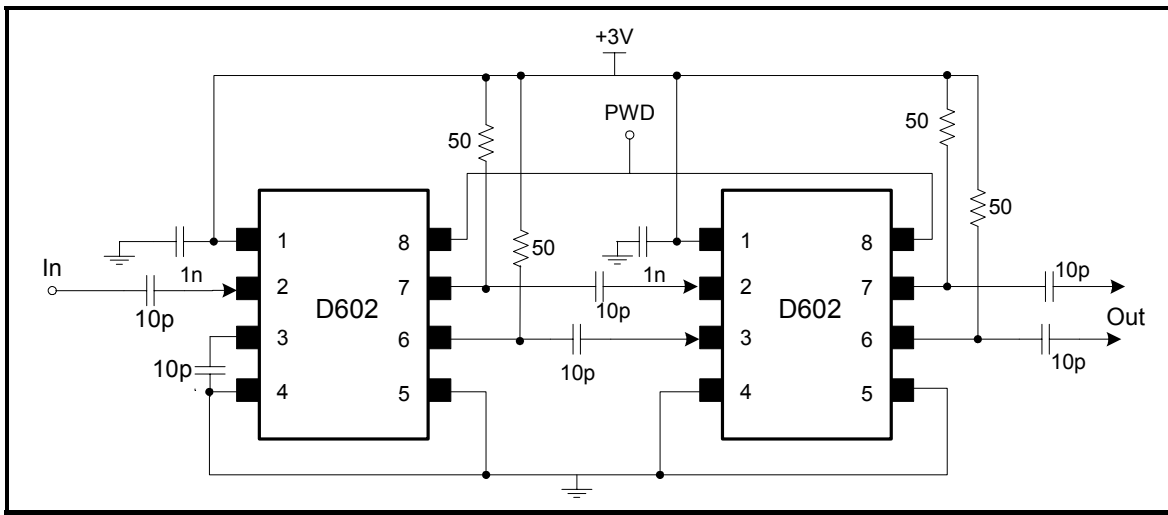
**Typical Application Information**



\* The 47kΩ resistor provides a DC offset that disables self oscillation in the absence of an RF input.

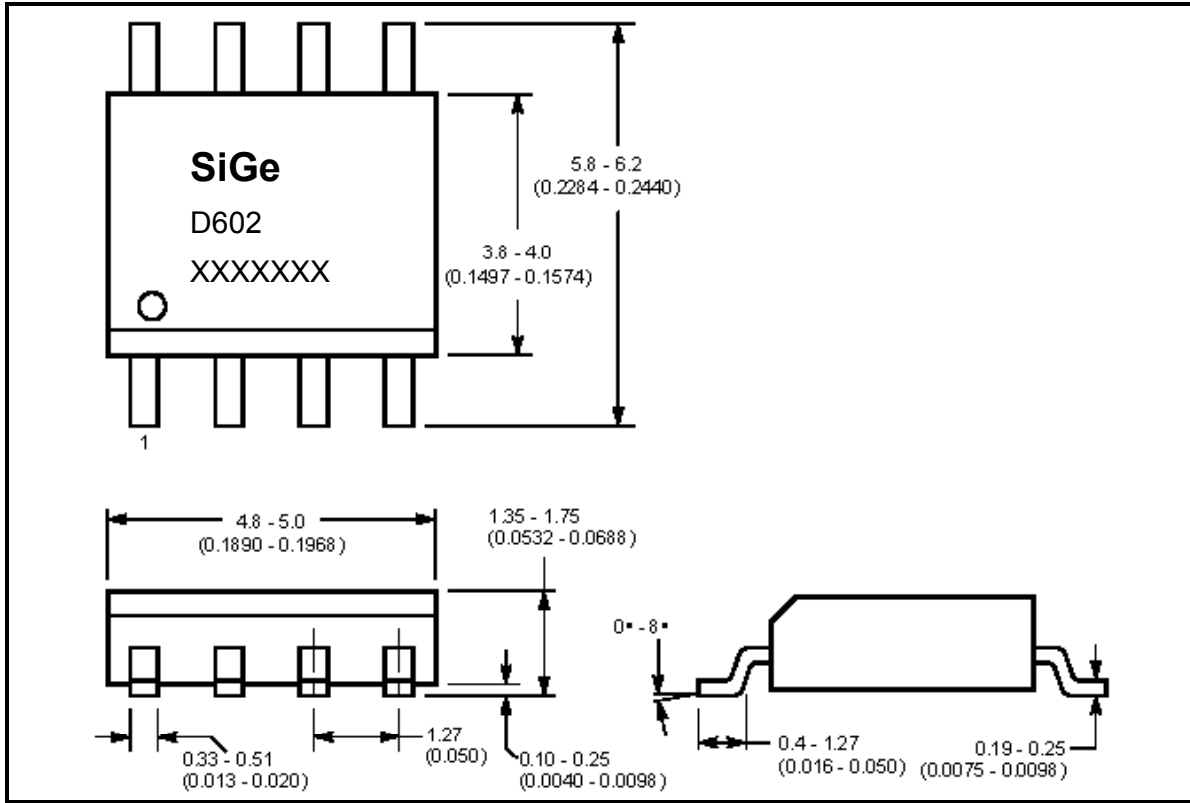
**Cascading D602 Prescalers**

D602 prescalers can be cascaded to achieve division ratios other than 2. For example two D602 prescalers can be used as shown in the following diagram to perform frequency division by 4.



**Package Information**

Package dimensions in millimeters (inches)  
8-Lead Plastic SOIC



**Packing Details**

Note : Refer to JEDEC MS-012 for additional information

<http://www.sige.com>

**Headquarters: Canada**

Phone: +1 613 820 9244

Fax: +1 613 820 4933

2680 Queensview Drive

Ottawa ON K2B 8J9 Canada

[sales@sige.com](mailto:sales@sige.com)

**San Diego**

Phone: +1 858 668 3541

Fax: +1 858 668 3546

**Hong Kong**

Phone: +1 852 9177 1917

**United Kingdom**

South Building, Walden Court  
Parsonage Lane, Bishop's Stortford  
Hertfordshire CM23 5DB

Phone: +44 1279 464 200

Fax: +44 1279 464 201

Product Preview

The datasheet contains information from the product concept specification. SiGe Semiconductor Inc. reserves the right to change information at any time without notification.

Preliminary Information

The datasheet contains information from the design target specification. SiGe Semiconductor Inc. reserves the right to change information at any time without notification.

Final

The datasheet contains information from the final product specification. SiGe Semiconductor Inc. reserves the right to change information at any time without notification. Production testing may not include testing of all parameters.

Information furnished is believed to be accurate and reliable and is provided on an "as is" basis. SiGe Semiconductor Inc. assumes no responsibility or liability for the direct or indirect consequences of use of such information nor for any infringement of patents or other rights of third parties, which may result from its use. No license or indemnity is granted by implication or otherwise under any patent or other intellectual property rights of SiGe Semiconductor Inc. or third parties. Specifications mentioned in this publication are subject to change without notice. This publication supersedes and replaces all information previously supplied. SiGe Semiconductor Inc. products are NOT authorized for use in implantation or life support applications or systems without express written approval from SiGe Semiconductor Inc.

RangerCharger™, StreamCharger™, PointCharger™, and LightCharger™ are trademarks owned by SiGe Semiconductor Inc.

Copyright 2002 SiGe Semiconductor  
All Rights Reserved