

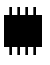


Description

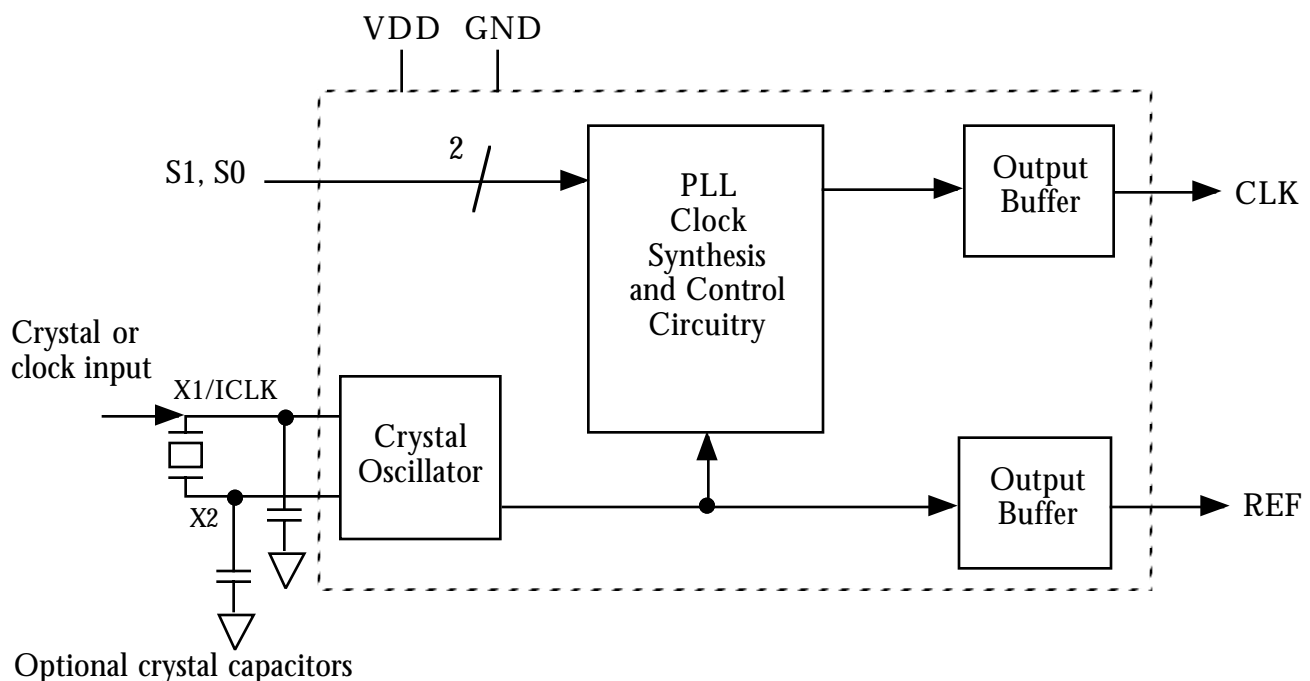
The ICS512 LOCO™ is the most cost effective way to generate a high quality, high frequency clock output and a reference clock from a lower frequency crystal or clock input. The name LOCO stands for LOW Cost Oscillator, as it is designed to replace crystal oscillators in most electronic systems. Using Phase-Locked-Loop (PLL) techniques, the device uses a standard fundamental mode, inexpensive crystal to produce output clocks up to 200 MHz. With a reference output, this chip plus an inexpensive crystal can replace two oscillators.

Stored in the chip's ROM is the ability to generate nine different popular multiplication factors, allowing one chip to output many common frequencies (see page 2).

Features

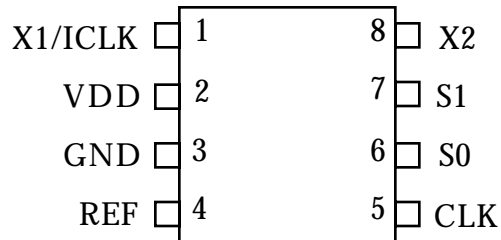
- Packaged as 8 pin SOIC or die 
- Upgrade of popular ICS502 with:
 - changed multiplier table
 - higher operating frequencies
- Zero ppm multiplication error
- Easy to cascade with other 5xx series
- Input crystal frequency of 5 - 27 MHz
- Input clock frequency of 2 - 50 MHz
- Output clock frequencies up to 200 MHz
- Compatible with all popular CPUs
- Duty cycle of 45/55 up to 200 MHz
- Mask option for 9 selectable frequencies
- Operating voltages of 3.0 to 5.5V
- Industrial temperature version available
- Advanced, low power CMOS process

Block Diagram





Pin Assignment



Clock Output Table

S1	S0	CLK
0	0	4X input
0	M	5.333X input
0	1	5X input
M	0	2.5X input
M	M	2X input
M	1	3.333X input
1	0	6X input
1	M	3X input
1	1	8X input

0 = connect directly to ground.
 1 = connect directly to VDD.
 M = leave unconnected (floating).

Common Output Frequencies Examples (MHz)

Output	20	24	30	32	33.33	37.5	40	48	50	60	64
Input	10	12	10	16	16.66	15	10	12	20	10	16
Selection (S1, S0)	M, M	M, M	1, M	M, M	M, M	M, 0	0, 0	0, 0	M, 0	1, 0	0, 0
Output	66.66	72	75	80	83.33	90	100	120	125	133.33	150
Input	20	12	25	10	25	15	20	15	25	25	25
Selection (S1, S0)	M, 1	1, 0	1, M	1, 1	M, 1	1, 0	0, 1	1, 1	0, 1	0, M	1, 0

Note that all of the above outputs are achieved by using a common, inexpensive 10MHz to 25MHz crystal. Consult ICS on how to achieve other output frequencies.

Pin Descriptions

Number	Name	Type	Description
1	X1/ICLK	XI	Crystal connection or clock input.
2	VDD	P	Connect to +3.3V or +5V.
3	GND	P	Connect to ground.
4	REF	O	Buffered crystal oscillator output clock.
5	CLK	O	Clock output per Table above.
6	S0	TI	Multiplier select pin 0. Connect to GND or VDD or float (no connection).
7	S1	TI	Multiplier select pin 1. Connect to GND or VDD or float (no connection).
8	X2	XO	Crystal connection. Leave unconnected for clock input.

Key: XI/XO = crystal connections, TI = tri-level input, O = output, P = power supply connection



ICS512 LOCO™ PLL Clock Multiplier

Electrical Specifications

Parameter	Conditions	Minimum	Typical	Maximum	Units
ABSOLUTE MAXIMUM RATINGS (stresses beyond these can permanently damage the device)					
Supply Voltage, VDD	Referenced to GND			7	V
Inputs	Referenced to GND	-0.5		VDD+0.5	V
Clock Output	Referenced to GND	-0.5		VDD+0.5	V
Ambient Operating Temperature		0		70	°C
	ICS512MI only	-40		85	°C
Soldering Temperature	Max of 10 seconds			260	°C
Storage temperature		-65		150	°C
DC CHARACTERISTICS (VDD = 3.3V unless otherwise noted)					
Operating Voltage, VDD		3		5.5	V
Input High Voltage, VIH, ICLK only	ICLK (Pin 1)	(VDD/2)+1	VDD/2		V
Input Low Voltage, VIL, ICLK only	ICLK (Pin 1)		VDD/2	(VDD/2)-1	V
Input High Voltage, VIH	S0, S1	VDD-0.5			V
Input Low Voltage, VIL	S0, S1			0.5	V
Output High Voltage, VOH, CMOS high	IOH=-8mA	VDD-0.4			V
Output High Voltage, VOH	IOH=-12mA	2.4			V
Output Low Voltage, VOL	IOL=12mA			0.4	V
IDD Operating Supply Current, 20 MHz crystal	No Load, 100MHz		9		mA
Short Circuit Current	CLK output		±70		mA
Input Capacitance, S1, S0	Pins 6, 7		4		pF
AC CHARACTERISTICS (VDD = 3.3V unless otherwise noted)					
Input Frequency, crystal input		5		27	MHz
Input Frequency, clock input		2		50	MHz
Output Frequency, VDD = 4.5 to 5.5V Note 1	0 to +70 °C	14		200	MHz
	-40 to +85 °C	14		160	MHz
Output Frequency, VDD = 3.0 to 3.6V Note 1	0 to +70 °C	14		160	MHz
	-40 to +85 °C	14		145	MHz
Output Clock Rise Time	0.8 to 2.0V		1		ns
Output Clock Fall Time	2.0 to 0.8V		1		ns
Output Clock Duty Cycle	at VDD/2	45	49 to 51	55	%
Absolute Clock Period Jitter	Deviation from mean		±200		ps
One Sigma Clock Period Jitter			80		ps

Note 1: The phase relationship between input and output clocks can change at power up. For a fixed phase relationship, see the ICS570 or the ICS527.

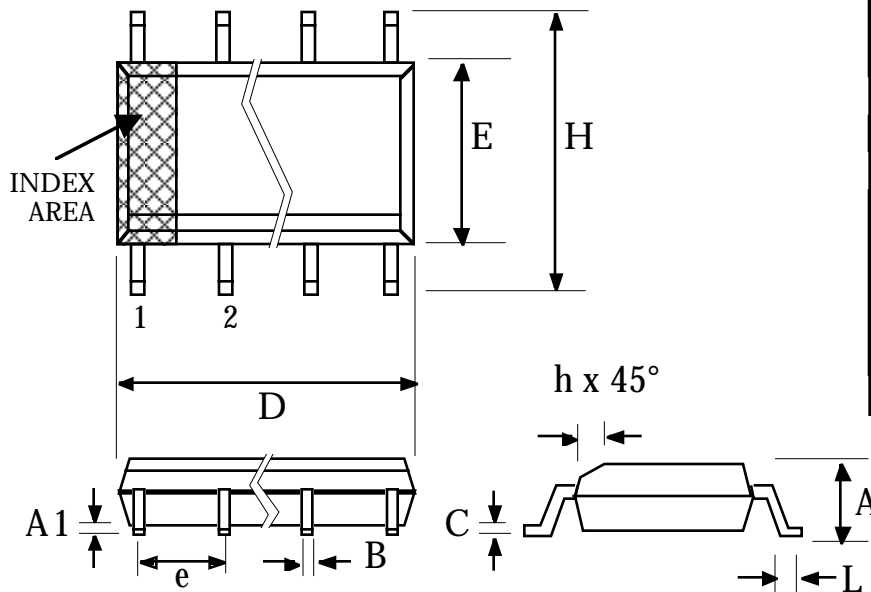


External Components / Crystal Selection

The ICS512 requires a 0.01μF decoupling capacitor to be connected between VDD and GND. It must be connected close to the ICS512 to minimize lead inductance. No external power supply filtering is required for this device. A 33 Ω terminating resistor can be used next to the CLK and REF pins. The total on-chip capacitance is approximately 15 pF, so a parallel resonant, fundamental mode crystal should be used. For crystals with a specified load capacitance greater than 15 pF, crystal capacitors should be connected from each of the pins X1 and X2 to Ground as shown in the Block Diagram on page 1. The value (in pF) of these crystal caps should be = $(C_L - 15) * 2$, where C_L is the crystal load capacitance in pF. These external capacitors are only required for applications where the exact frequency is critical. For a clock input, connect to X1 and leave X2 unconnected (no capacitors on either).

Package Outline and Package Dimensions (For current dimensional specifications, see JEDEC 95.)

8 pin SOIC



Symbol	Inches		Millimeters	
	Min	Max	Min	Max
A	0.0532	0.0688	1.35	1.75
A1	0.0040	0.0098	0.10	0.24
B	0.0130	0.0200	0.33	0.51
C	0.0075	0.0098	0.19	0.24
D	0.1890	0.1968	4.80	5.00
E	0.1497	0.1574	3.80	4.00
e	.050 BSC		1.27 BSC	
H	0.2284	0.2440	5.80	6.20
h	0.0099	0.0195	0.25	0.50
L	0.0160	0.0500	0.41	1.27

Ordering Information

Part/Order Number	Marking	Package	Temperature
ICS512M	ICS512M	8 pin SOIC	0 to 70 °C
ICS512MT	ICS512M	8 pin SOIC on tape and reel	0 to 70 °C
ICS512MI	ICS512I	8 pin SOIC	-40 to +85 °C
ICS512MIT	ICS512I	8 pin SOIC on tape and reel	-40 to +85 °C

While the information presented herein has been checked for both accuracy and reliability, ICS assumes no responsibility for either its use or for the infringement of any patents or other rights of third parties, which would result from its use. No other circuits, patents, or licenses are implied. This product is intended for use in normal commercial applications. Any other applications such as those requiring extended temperature range, high reliability, or other extraordinary environmental requirements are not recommended without additional processing by ICS. ICS reserves the right to change any circuitry or specifications without notice. ICS does not authorize or warrant any ICS product for use in life support devices or critical medical instruments.

LOCO is a trademark of ICS