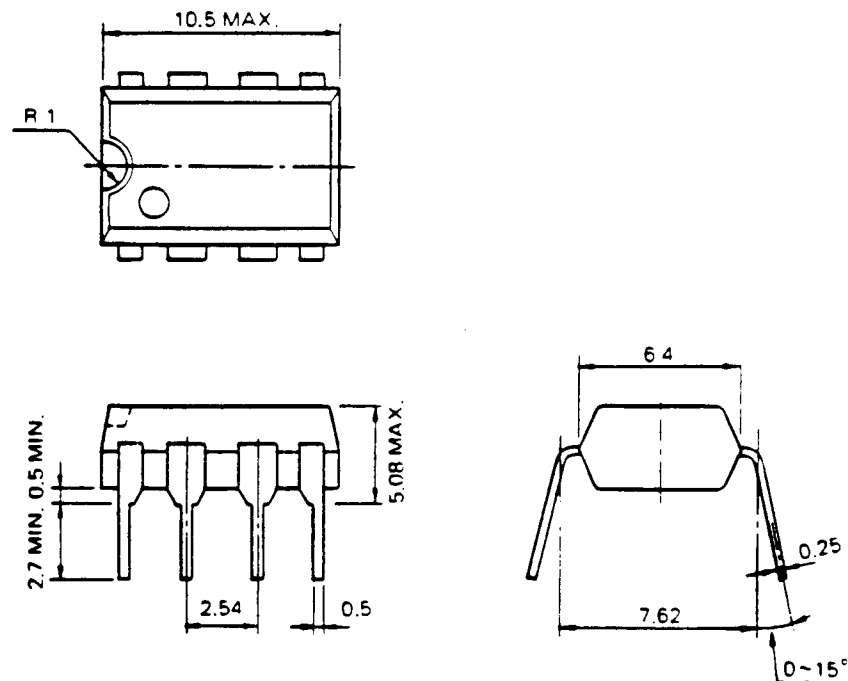


NEC[®]**150 MHz DIVIDE-BY-16/17
LOW POWER PRESCALER****UPB556C****DESCRIPTION**

The μ PB556C is a VHF two-modulus prescaler intended for use in PLL Digital Tuning Systems in conjunction with μ PD1700 series. Advanced bipolar process technology is utilized to realize high frequency operation with extremely low power consumptions. The device provides $\div 16$ and $\div 17$ division ratio for NEC's original pulse swallowing method, and is guaranteed to operate up to 130 MHz over the -35°C to $+75^{\circ}\text{C}$ temperature range with a V_{CC} variation from $+2.55\text{ V}$ ~ $+4.5\text{ V}$. An included amplifier allows it to be operated with small amplitude signal of 150 mVp-p.

FEATURES

- High frequency operation: 150 MHz ($\div 16$)
130 MHz ($\div 17$)
- NEC's original pulse swallowing operation: $\div 16/\div 17$
- Small input amplitude: $V_{in} = 150\text{ m Vp-p}$ (MIN.)
- Single supply voltage: $V_{CC} = 2.55\text{ V}$ ~ 4.5 V
- Low supply current: $I_{CC} = 9.4\text{ mA}$ (TYP.)
- Incorporated buffer amplifier: $V_O = 1.2\text{ Vp-p}$ (TYP.)
- Small package: 8 pin plastic dual in-line package (DIP)

PACKAGE DIMENSIONS (Unit: mm)

ABSOLUTE MAXIMUM RATINGS

Supply Voltage	V _{CC}	-0.5 to 6.0	V
Input Voltage	V _i	-0.5 to V _{CC}	V
Output Current	I _O	10	mA
Junction Temperature	T _j	+125	°C
Storage Temperature	T _{stg}	-55 to +125	°C

RECOMMENDED OPERATING CONDITIONS

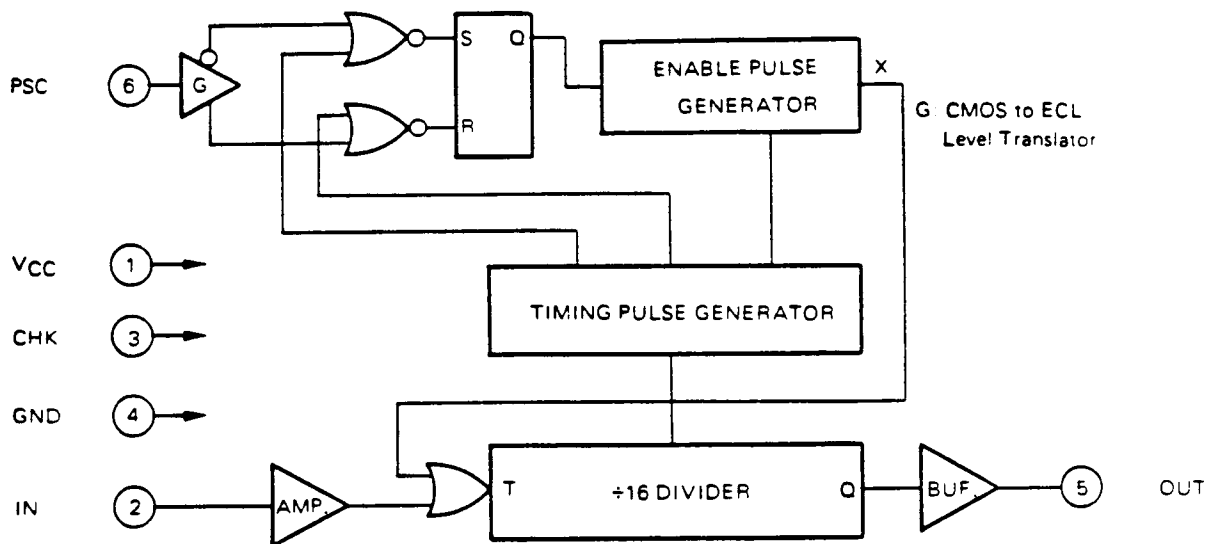
Supply Voltage Range	V _{CC}	2.55 to 4.5	V
Ambient Temperature	T _a	-35 to +75	°C
Output Load Capacitance	C _L	less than 10 pF	

ELECTRICAL CHARACTERISTICS (V_{CC} = 2.55~4.5 V, T_a = -35 to +75 °C)

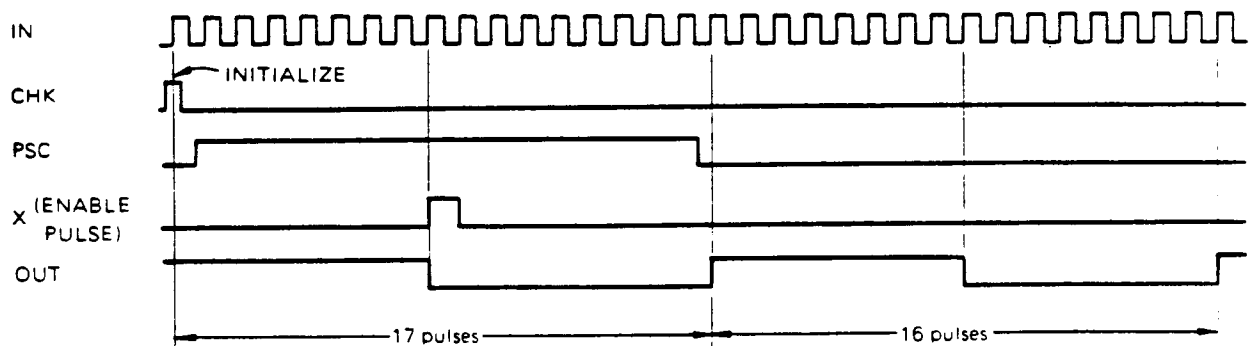
CHARACTERISTIC	SYMBOL	MIN.	TYP.	MAX.	UNIT	TEST CONDITIONS
Power Supply Current	I _{CC}		9.4		mA	V _{CC} = 5.0 V
Power Consumption	P _C		28		mW	T _a = 25 °C
Frequency Response	f _{in}	1.0		150	MHz	V _{in} ≥ 0.15 V _{p-p} , ÷16
Frequency Response	f _{in}	1.0		130	MHz	V _{in} ≥ 0.15 V _{p-p} , ÷17
Output Voltage	V _O	0.9	1.2		V _{p-p}	OUT terminal
Input Voltage	V _{in}	0.15		2.0	V _{p-p}	IN terminal
High Level Input Voltage	V _{IH}	0.8V _{CC}			V	PSC terminal
Low Level Input Voltage	V _{IL}			0.2V _{CC}	V	PSC terminal

Note: CHK terminal should be connected to GND.

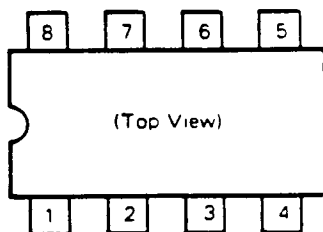
BLOCK DIAGRAM (Top View)



TIMING CHART



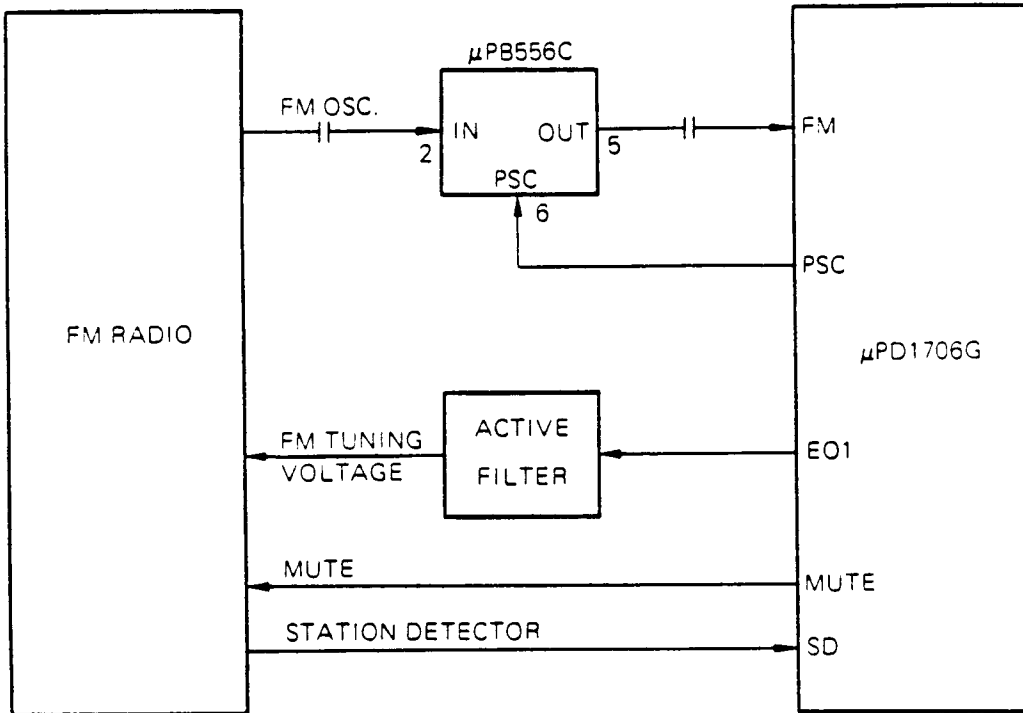
CONNECTION DIAGRAM



Pin Number	Symbol	Function
1	VCC	Power Supply (VCC)
2	IN	Signal Input
3	CHK	Check (Connect to GND)
4	GND	GND
5	OUT	Output
6	PSC	Division Ratio Control*
7	NC	No Connection
8	NC	No Connection

*: When PSC terminal fixed high or low level, the μPB556C functions as a ÷16 prescaler.

APPLICATION



EXCLUSIVE AGENT FOR NEC Corporation RF & MICROWAVE SEMICONDUCTOR PRODUCTS—U.S. & CANADA
 CALIFORNIA EASTERN LABORATORIES, INC. • Headquarters • 3260 Jay Street • Santa Clara, CA 95054 • (408) 988-3500 • Telex 34-6393/FAX 408-988-0279