

## 128K x 8 STATIC RAM—Low Power SOI

### FEATURES

#### RADIATION

- Fabricated with RICMOS™ IV Silicon on Insulator (SOI) 0.7  $\mu\text{m}$  Low Power Process ( $L_{\text{eff}} = 0.55 \mu\text{m}$ )
- Total Dose Hardness through  $1 \times 10^6 \text{ rad(Si)}$
- Neutron Hardness through  $1 \times 10^{14} \text{ cm}^{-2}$
- Dynamic and Static Transient Upset Hardness through  $1 \times 10^9 \text{ rad(Si)/s}$
- Dose Rate Survivability through  $1 \times 10^{11} \text{ rad(Si)/s}$
- Soft Error Rate of  $< 1 \times 10^{-10}$  Upsets/bit-day in Geosynchronous Orbit
- No Latchup

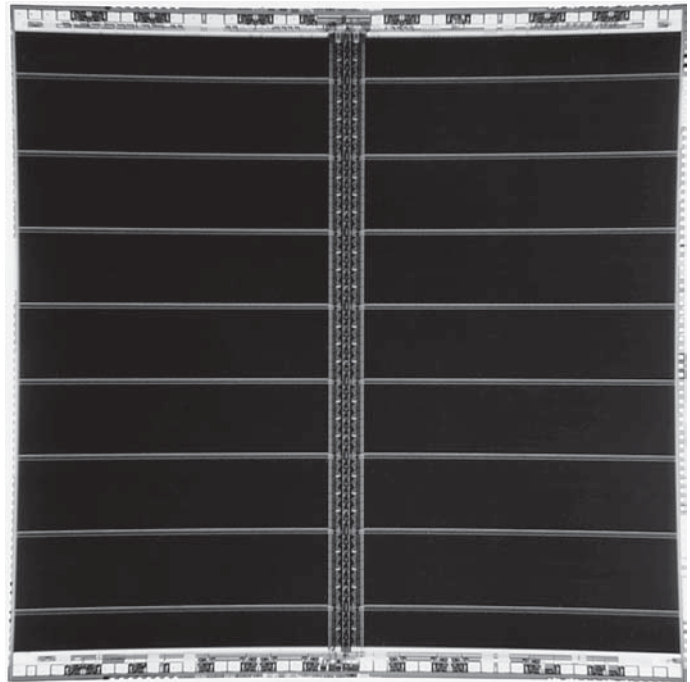
#### OTHER

- Read/Write Cycle Times  $\leq 32 \text{ ns}$  ( $-55$  to  $125^\circ\text{C}$ )
- Typical Operating Power  $< 9 \text{ mW/MHz}$
- JEDEC Standard Low Voltage CMOS Compatible I/O
- Single  $3.3 \text{ V} \pm 0.3 \text{ V}$  Power Supply
- Asynchronous Operation
- Packaging Options
  - 32-Lead CFP (0.820 in. x 0.600 in.)
  - 40-Lead CFP (0.775 in. x 0.710 in.)

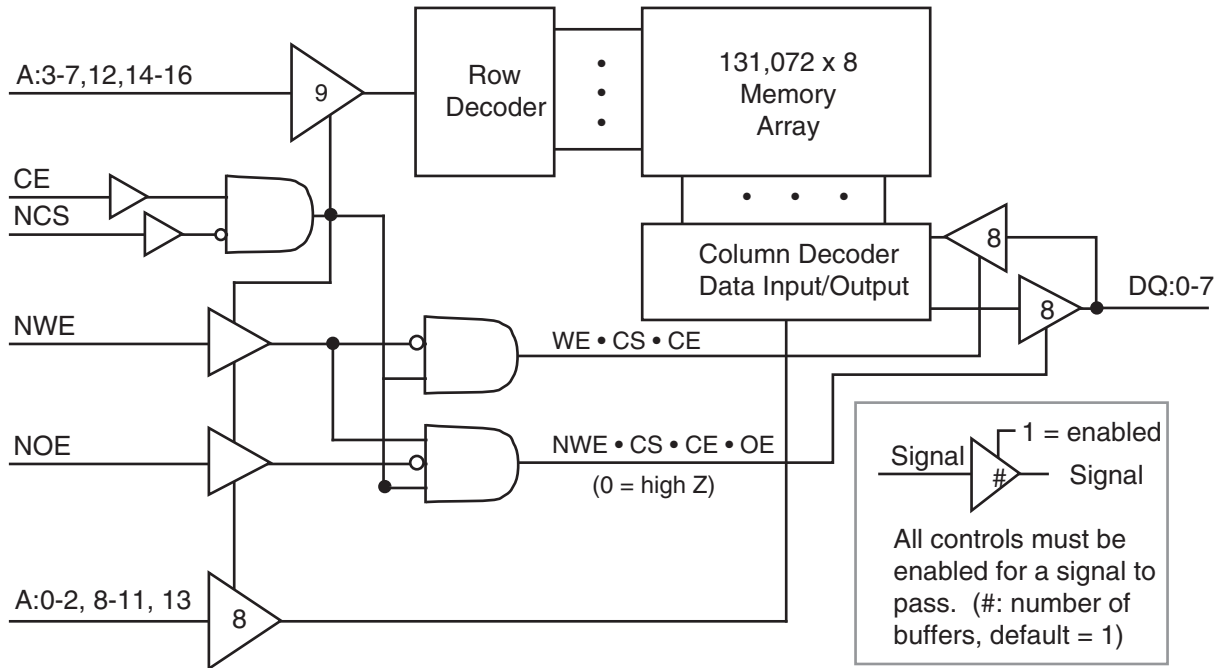
### GENERAL DESCRIPTION

The 128K x 8 Radiation Hardened Static RAM is a high performance 131,072 word x 8-bit static random access memory with industry-standard functionality. It is fabricated with Honeywell's radiation hardened technology, and is designed for use in low voltage systems operating in radiation environments. The RAM operates over the full military temperature range and requires only a single  $3.3 \text{ V} \pm 0.3\text{V}$  power supply. The RAM is compatible with JEDEC standard low voltage CMOS I/O. Power consumption is typically less than 9 mW/MHz in operation, and less than 2 mW when deselected. The RAM read operation is fully asynchronous, with an associated typical access time of 32 ns at 3.3 V.

Honeywell's enhanced SOI RICMOS™ IV (Radiation Insensitive CMOS) technology is radiation hardened through the use of advanced and proprietary design, layout and process hardening techniques. The RICMOS™ IV low power process is a SIMOX CMOS technology with a 150 Å gate oxide and a minimum drawn feature size of 0.7  $\mu\text{m}$  (0.55  $\mu\text{m}$  effective gate length— $L_{\text{eff}}$ ). Additional features include tungsten via plugs, Honeywell's proprietary SHARP planarization process and a lightly doped drain (LDD) structure for improved short channel reliability. A 7 transistor (7T) memory cell is used for superior single event upset hardening, while three layer metal power bussing and the low collection volume SIMOX substrate provide improved dose rate hardening.



## FUNCTIONAL DIAGRAM



## SIGNAL DEFINITIONS

- A: 0-16** Address input pins which select a particular eight-bit word within the memory array.
- DQ: 0-7** Bidirectional data pins which serve as data outputs during a read operation and as data inputs during a write operation.
- NCS** Negative chip select, when at a low level allows normal read or write operation. When at a high level NCS forces the SRAM to a precharge condition, holds the data output drivers in a high impedance state and disables all input buffers except CE. This part must be Read and Write controlled using the NCS pin: it requires that NCS returns to a high state for at least 5ns whenever there is an address change. This 5ns pulse to high provides the part with a defined pre-charge pulse duration to ensure that the new address is latched. The part must be controlled in this fashion to meet the timing specifications defined.
- NWE** Negative write enable, when at a low level activates a write operation and holds the data output drivers in a high impedance state. When at a high level NWE allows normal read operation.
- NOE** Negative output enable, when at a high level holds the data output drivers in a high impedance state. When at a low level, the data output driver state is defined by NCS, NWE and CE. If this signal is not used it must be connected to VSS.
- CE** Chip enable, when at a high level allows normal operation. When at a low level CE forces the SRAM to a precharge condition, holds the data output drivers in a high impedance state and disables all the input buffers except the NCS input buffer. If this signal is not used it must be connected to VDD.

## TRUTH TABLE

NCS	CE	NWE	NOE	MODE	DQ
L	H	H	L	Read	Data Out
L	H	L	X	Write	Data In
H	X	XX	XX	Deselected	High Z
X	L	XX	XX	Disabled	High Z

Notes:

X:  $V_I = V_{IH}$  or  $V_{IL}$

XX:  $V_{SS} \leq V_I \leq V_{DD}$

NOE=H: High Z output state maintained for NCS=X, CE=X, NWE=X

## RADIATION CHARACTERISTICS

### Total Ionizing Radiation Dose

The SRAM will meet all stated functional and electrical specifications over the entire operating temperature range after the specified total ionizing radiation dose. All electrical and timing performance parameters will remain within specifications after rebound at VDD = 3.6 V and T = 125°C extrapolated to ten years of operation. Total dose hardness is assured by wafer level testing of process monitor transistors and RAM product using 10 KeV X-ray and Co60 radiation sources. Transistor gate threshold shift correlations have been made between 10 KeV X-rays applied at a dose rate of 1x10<sup>5</sup> rad(Si)/min at T = 25°C and gamma rays (Cobalt 60 source) to ensure that wafer level X-ray testing is consistent with standard military radiation test environments.

### Transient Pulse Ionizing Radiation

The SRAM is capable of writing, reading, and retaining stored data during and after exposure to a transient ionizing radiation pulse, up to the specified transient dose rate upset specification, when applied under recommended operating conditions. To ensure validity of all specified performance parameters before, during, and after radiation (timing degradation during transient pulse radiation is ≤10%), it is suggested that stiffening capacitance be placed on or near the package VDD and VSS, with a maximum inductance between the package (chip) and stiffening capacitance of 0.7 nH per part. If there are no operate-through or valid stored data requirements, typical circuit board mounted de-coupling capacitors are recommended.

The SRAM will meet any functional or electrical specification after exposure to a radiation pulse up to the transient dose rate survivability specification, when applied under recommended operating conditions. Note that the current conducted during the pulse by the RAM inputs, outputs, and power supply may significantly exceed the normal operating levels. The application design must accommodate these effects.

### Neutron Radiation

The SRAM will meet any functional or timing specification after exposure to the specified neutron fluence under recommended operating or storage conditions. This assumes an equivalent neutron energy of 1 MeV.

### Soft Error Rate

The SRAM is capable of meeting the specified Soft Error Rate (SER), under recommended operating conditions. This hardness level is defined by the Adams 90% worst case cosmic ray environment for geosynchronous orbits.

### Latchup

The SRAM will not latch up due to any of the above radiation exposure conditions when applied under recommended operating conditions. Fabrication with the SIMOX substrate material provides oxide isolation between adjacent PMOS and NMOS transistors and eliminates any potential SCR latchup structures. Sufficient transistor body tie connections to the p- and n-channel substrates are made to ensure no source/drain snapback occurs.

## RADIATION HARDNESS RATINGS (1)

Parameter	Limits (2)	Units	Test Conditions
Total Dose	≥1x10 <sup>6</sup>	rad(Si)	T <sub>A</sub> =25°C
Transient Dose Rate Upset	≥1x10 <sup>9</sup>	rad(Si)/s	Pulse width ≤1 μs
Transient Dose Rate Survivability	≥1x10 <sup>11</sup>	rad(Si)/s	Pulse width ≤50 ns, X-ray, VDD=4.0 V, T <sub>A</sub> =25°C
Soft Error Rate	<1x10 <sup>-10</sup>	upsets/bit-day	T <sub>A</sub> =125°C, Adams 90% worst case environment
Neutron Fluence	≥1x10 <sup>14</sup>	N/cm <sup>2</sup>	1 MeV equivalent energy, Unbiased, T <sub>A</sub> =25°C

(1) Device will not latch up due to any of the specified radiation exposure conditions.

(2) Operating conditions (unless otherwise specified): VDD=3.0 V to 3.6 V, T<sub>A</sub>=-55°C to 125°C.

## ABSOLUTE MAXIMUM RATINGS (1)

Symbol	Parameter	Rating		Units
		Min	Max	
VDD	Supply Voltage Range (2)	-0.5	6.0	V
VPIN	Voltage on Any Pin (2)	-0.5	VDD+0.5	V
TSTORE	Storage Temperature (Zero Bias)	-65	150	°C
TSOLDER	Soldering Temperature (5 Seconds)		270	°C
PD	Maximum Power Dissipation (3)		2	W
IOUT	DC or Average Output Current		25	mA
VPROT	ESD Input Protection Voltage (4)	2000		V
ΘJC	Thermal Resistance (Jct-to-Case)	32 FP	2	°C/W
		40 FP	2	
TJ	Junction Temperature		175	°C

(1) Stresses in excess of those listed above may result in permanent damage. These are stress ratings only, and operation at these levels is not implied. Frequent or extended exposure to absolute maximum conditions may affect device reliability.

(2) Voltage referenced to VSS.

(3) RAM power dissipation (IDDSB + IDDOP) plus RAM output driver power dissipation due to external loading must not exceed this specification.

(4) Class 2 electrostatic discharge (ESD) input protection. Tested per MIL-STD-883, Method 3015 by DESC certified lab.

## RECOMMENDED OPERATING CONDITIONS

Symbol	Parameter	Description			Units
		Min	Typ	Max	
VDD	Supply Voltage (referenced to VSS)	3.0	3.3	3.6	V
TA	Ambient Temperature	-55	25	125	°C
VPIN	Voltage on Any Pin (referenced to VSS)	-0.3		VDD+0.3	V

## CAPACITANCE (1)

Symbol	Parameter	Typical (1)	Worst Case		Units	Test Conditions
			Min	Max		
CI	Input Capacitance			7	pF	VI=VDD or VSS, f=1 MHz
CO	Output Capacitance			9	pF	VIO=VDD or VSS, f=1 MHz

(1) This parameter is tested during initial design characterization only.

## DATA RETENTION CHARACTERISTICS

Symbol	Parameter	Typical (1)	Worst Case (2)		Units	Test Conditions
			Min	Max		
VDR	Data Retention Voltage		2.5		V	NCS=VDR VI=VDR or VSS
IDR	Data Retention Current			700	μA	NCS=VDD=VDR VI=VDR or VSS

(1) Typical operating conditions: TA= 25°C, pre-radiation.

(2) Worst case operating conditions: TA= -55°C to +125°C, post total dose at 25°C.

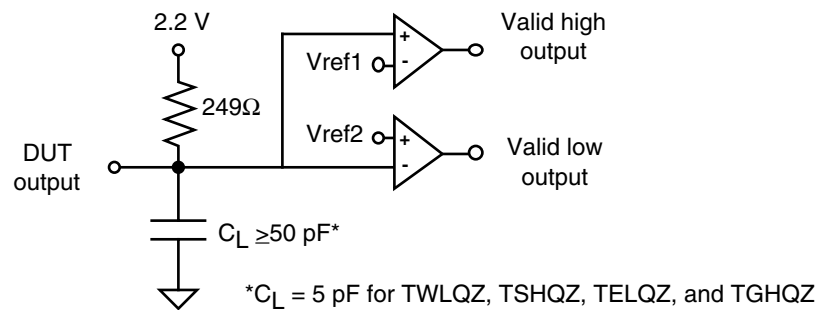
## DC ELECTRICAL CHARACTERISTICS

Symbol	Parameter	Typ (1)	Worst Case (2)		Units	Test Conditions
			Min	Max		
IDDSB1	Static Supply Current			700	μA	V <sub>IH</sub> =V <sub>DD</sub> IO=0 V <sub>IL</sub> =V <sub>SS</sub> Inputs Stable
IDDSBMF	Standby Supply Current – Deselected/Disabled			700	μA	NCS=V <sub>DD</sub> , CE=V <sub>SS</sub> , IO=0, f=40 MHz
IDDOPW	Dynamic Supply Current, Selected (Write)			3.2	mA	f=1 MHz, IO=0, CE=V <sub>IH</sub> =V <sub>DD</sub> NCS=V <sub>IL</sub> =V <sub>SS</sub> (3)
IDDOPR	Dynamic Supply Current, Selected (Read)			2.2	mA	f=1 MHz, IO=0, CE=V <sub>IH</sub> =V <sub>DD</sub> NCS=V <sub>IL</sub> =V <sub>SS</sub> (3)
I <sub>I</sub>	Input Leakage Current		-5	5	μA	V <sub>SS</sub> V <sub>I</sub> V <sub>DD</sub>
I <sub>OZ</sub>	Output Leakage Current		-10	10	μA	V <sub>SS</sub> V <sub>IO</sub> V <sub>DD</sub> , Output=High Z
V <sub>IL</sub>	Low-Level Input Voltage			.275xV <sub>DD</sub>	V	March Pattern V <sub>DD</sub> = 3.0V
V <sub>IH</sub>	High-Level Input Voltage		.725xV <sub>DD</sub>		V	March Pattern V <sub>DD</sub> = 3.6V
V <sub>OL</sub>	Low-Level Output Voltage			0.4	V	V <sub>DD</sub> = 3.0V, I <sub>OL</sub> = 8 mA
V <sub>OH</sub>	High-Level Output Voltage		2.7		V	V <sub>DD</sub> = 3.0V, I <sub>OH</sub> = -4 mA

(1) Typical operating conditions: V<sub>DD</sub>=3.3 V, T<sub>A</sub>=25°C, pre-radiation.

(2) Worst case operating conditions: V<sub>DD</sub>=3.0 V to 3.6 V, -55°C to +125°C, post total dose at 25°C.

(3) All inputs switching. DC average current.



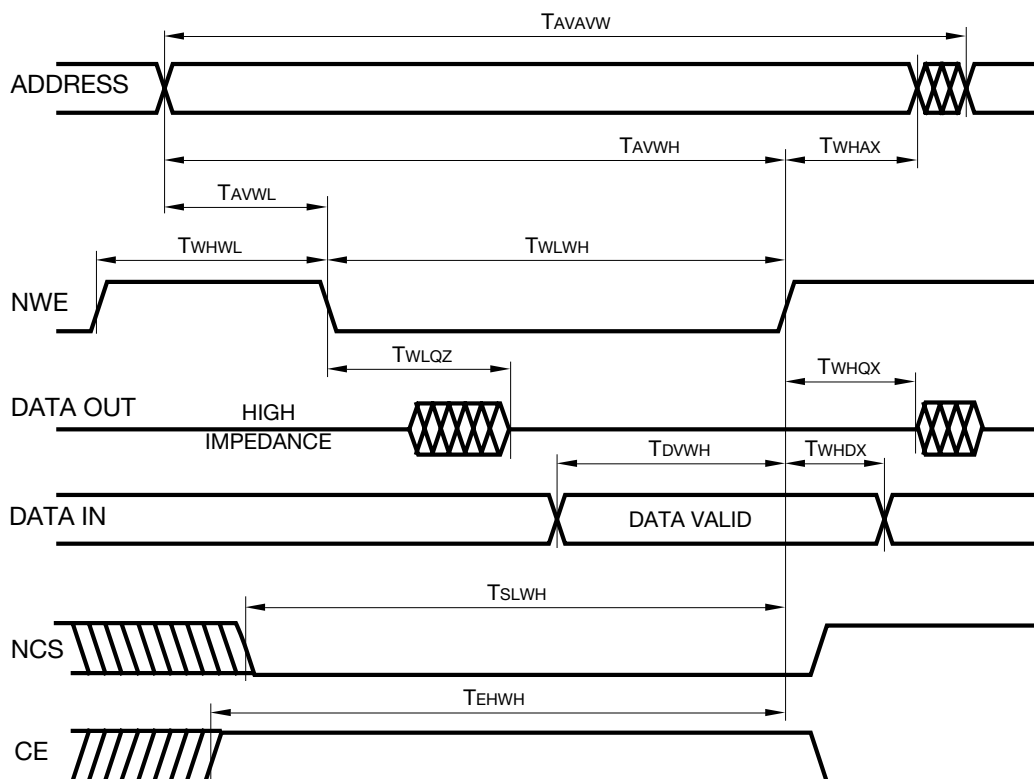
**Tester Equivalent Load Circuit**



WRITE CYCLE AC TIMING CHARACTERISTICS (1, 2)

Symbol	Parameter	Typical (3)	Worst Case (4)		Units
			-55 to 125°C Min	Max	
TAVAVW	Write Cycle Time (5)		30		ns
TWLWH	Write Enable Write Pulse Width		25		ns
TSLWH	Chip Select to End of Write Time		25		ns
TDVWH	Data Valid to End of Write Time		20		ns
TAVWH	Address Valid to End of Write Time		25		ns
TWHDX	Data Hold Time after End of Write Time		0		ns
TAVWL	Address Valid Setup to Start of Write Time		0		ns
TWHAX	Address Valid Hold after End of Write Time		0		ns
TWLQZ	Write Enable to Output Disable Time		0	12	ns
TWHQX	Write Disable to Output Enable Time		5		ns
TWHWL	Write Disable to Write Enable Pulse Width (6)		5		ns
TEHWH	Chip Enable to End of Write Time		25		ns

- (1) Key Note: This part must be Write controlled using the NCS pin: it requires that NCS returns to a high state for at least 5ns whenever there is an address change. This 5ns pulse to high provides the part with a defined pre-charge pulse duration to ensure that the new address is latched. The part must be controlled in this fashion to meet the timing specifications defined.
- (2) Test conditions: input switching levels, VIL/VIH=0V/3V, input rise and fall times <1 ns/V, input and output timing reference levels shown in the Tester AC Timing Characteristics table, capacitive output loading ≥50 pF, or equivalent capacitive load of 5 pF for TWLQZ.
- (3) Typical operating conditions: VDD=3.3 V, TA=25°C, pre-radiation.
- (4) Worst case operating conditions: VDD=3.0 V to 3.6 V, -55 to 125°C, post total dose at 25°C.
- (5) TAVAVW = TWLWH + TWHWL
- (6) Guaranteed but not tested.





## DYNAMIC ELECTRICAL CHARACTERISTICS

### Read Cycle

The RAM is asynchronous in operation, allowing the read cycle to be controlled only by chip select (NCS) (refer to Read Cycle timing diagram). To perform a valid read operation, both chip select and output enable (NOE) must be low and chip enable and write enable (NWE) must be high. The output drivers can be controlled independently by the NOE signal.

To control a read cycle with NCS, all addresses and CE must be valid prior to or coincident with the enabling NCS edge transition delayed. Read control with NCS requires that NCS returns to a high state for at least 5ns whenever there is an address change. This 5ns pulse to high provides the part with a defined pre-charge pulse duration to ensure that the new address is latched. The device must be controlled in this fashion to meet the timing specifications herein. The data output will not become valid until TSLQV time following return of NCS to a low state. Data outputs will enter a high impedance state TSHQZ time following a disabling NCS edge transition.

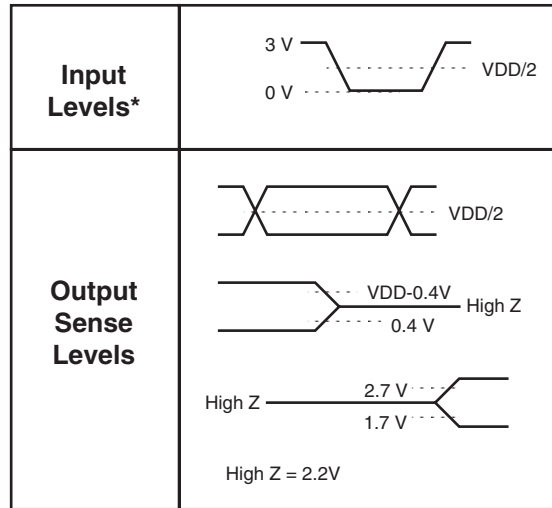
### Write Cycle

The write operation is synchronous with respect to the address bits, and control is governed by only chip select (NCS) (refer to Write Cycle timing diagrams). To perform a write operation, both NWE and NCS must be low, and CE must be high. This part must be Write controlled using the NCS pin; it requires that NCS returns to a high state for at least 5ns whenever there is an address change. This 5ns pulse to high provides the part with a defined pre-charge pulse duration to ensure that the new address is latched. The part must be controlled in this fashion to meet the timing specifications defined. Both CE and NCS fully disable the RAM decode logic and input buffers for power savings.

To write data into the RAM, NWE and NCS must be held low and CE must be held high for at least TWLWH/TSLSH/TEHEL time. Any amount of edge skew between the signals can be tolerated, and any one of the control signals can initiate or terminate the write operation. For consecutive write operations, write pulses must be separated by the minimum specified TWHWL/TSHSL/TELEH time. Address inputs must be valid at least TAVWL/TAVSL/TAVEH time before the enabling NWE/NCS/CE edge transition, and must remain valid during the entire write time. A valid data overlap of write pulse width time of TDVWH/TDVSH/TDVEL, and an address valid to end of write time of TAVWH/TAVSH/TAVEL also must be provided for during the write operation. Hold times for address inputs and data inputs with respect to the disabling NWE/NCS/CE edge transition must be a minimum of TWHAX/TSHAX/TELAX time and TWHDX/TSHDX/TELDX time, respectively. The minimum write cycle time is TAVAV.



**TESTER AC TIMING CHARACTERISTICS**



\* Input rise and fall times <1 ns/V

**QUALITY AND RADIATION HARDNESS ASSURANCE**

Honeywell maintains a high level of product integrity through process control, utilizing statistical process control, a complete “Total Quality Assurance System,” a computer data base process performance tracking system and a radiation-hardness assurance strategy.

The radiation hardness assurance strategy starts with a technology that is resistant to the effects of radiation. Radiation hardness is assured on every wafer by irradiating test structures as well as SRAM product, and then monitoring key parameters which are sensitive to ionizing radiation. Conventional MIL-STD-883 TM 5005 Group E testing, which includes total dose exposure with Cobalt 60, may also be performed as required. This Total Quality approach ensures our customers of a reliable product by engineering in reliability, starting with process development and continuing through product qualification and screening.

**SCREENING LEVELS**

Honeywell offers several levels of device screening to meet your system needs. “Engineering Devices” are available with limited performance and screening for breadboarding and/or evaluation testing. Hi-Rel Level B and S devices undergo additional screening per the requirements of MIL-STD-883.

**RELIABILITY**

Honeywell understands the stringent reliability requirements for space and defense systems and has extensive experience in reliability testing on programs of this nature. This experience is derived from comprehensive testing of VLSI processes. Reliability attributes of the RICMOS™ process were characterized by testing specially designed irradiated and non-irradiated test structures from which specific failure mechanisms were evaluated. These specific mechanisms included, but were not limited to, hot carriers, electromigration and time dependent dielectric breakdown. This data was then used to make changes to the design models and process to ensure more reliable products.

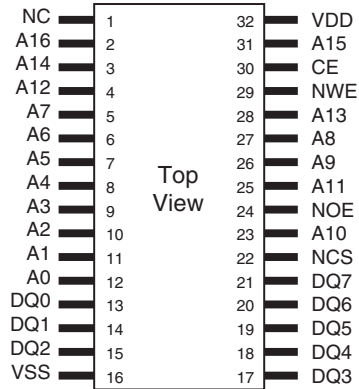
In addition, the reliability of the RICMOS™ process and product in a military environment was monitored by testing irradiated and non-irradiated circuits in accelerated dynamic life test conditions. Packages are qualified for product use after undergoing Groups B & D testing as outlined in MIL-STD-883, TM 5005, Class S. The product is qualified by following a screening and testing flow to meet the customer’s requirements. Quality conformance testing is performed as an option on all production lots to ensure the ongoing reliability of the product.

## PACKAGING

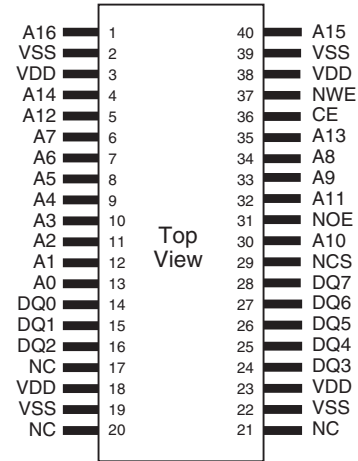
The 128K x 8 SRAM is offered in a custom 32-lead or 40-lead flat pack (FP). The packages are constructed of multilayer ceramic ( $Al_2O_3$ ) and feature internal power and ground planes. Ceramic chip capacitors can be mounted to the package by the user to maximize supply noise decoupling and increase board packing density. These

capacitors attach directly to the internal package power and ground planes. This design minimizes resistance and inductance of the bond wire and package. All NC (no connect) pins should be connected to VSS to prevent charge build up in the radiation environment.

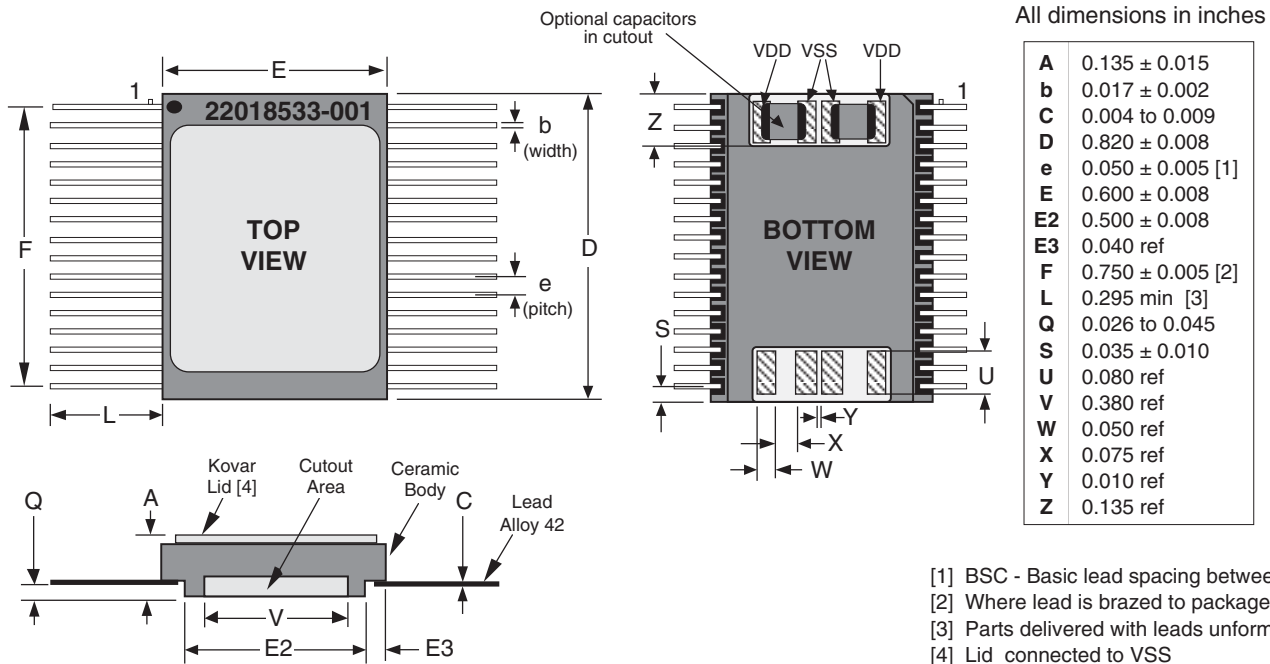
### 32-LEAD FLAT PACK PINOUT



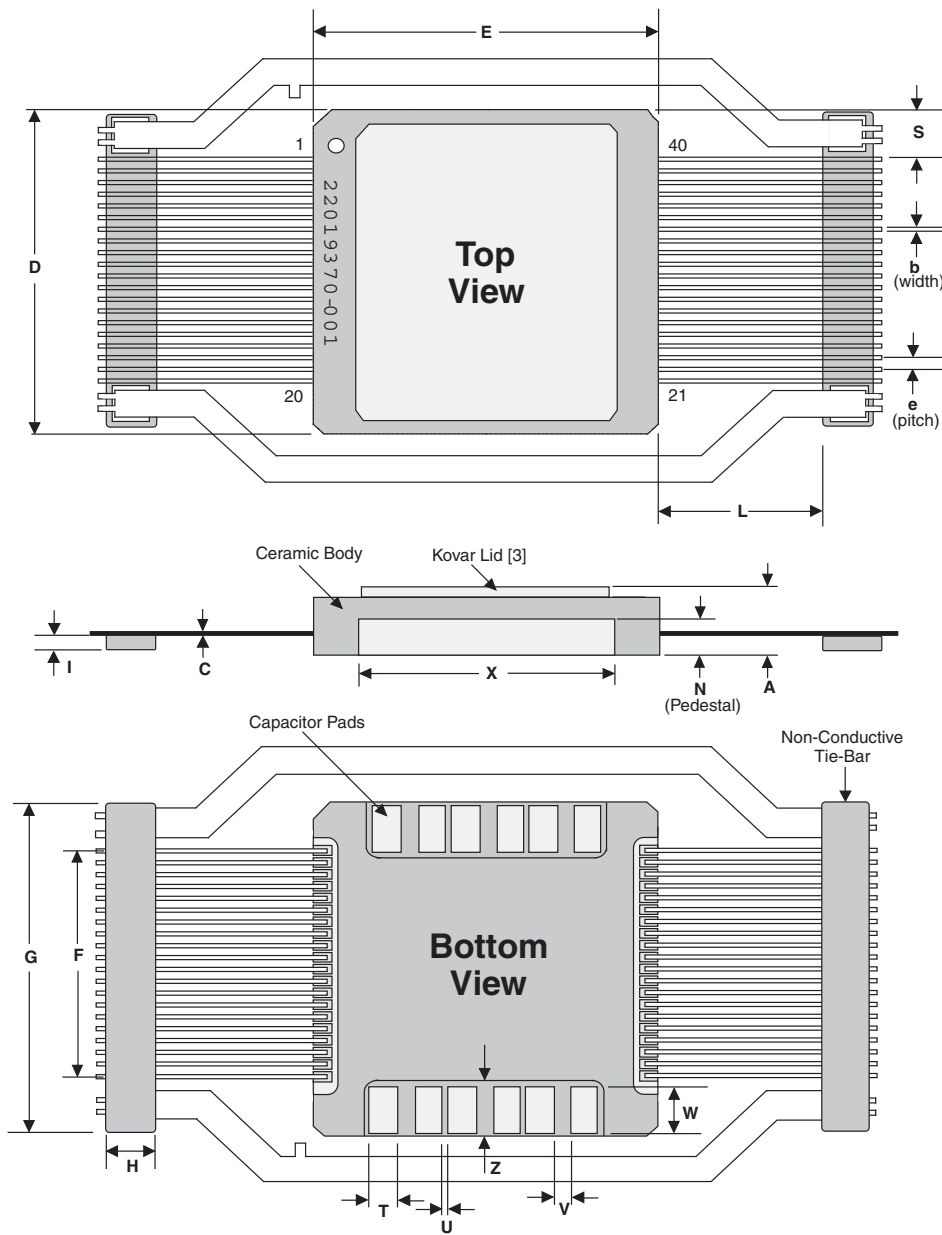
### 40-LEAD FLAT PACK PINOUT



### 32-LEAD FLAT PACK (22018533-001)



## 40-LEAD FLAT PACK (22019370-001)

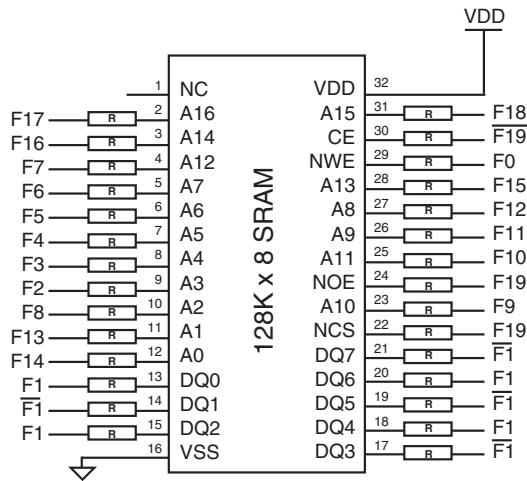


All dimensions are in inches

A	0.131 ± .015
b	0.008 ± 0.002
c	0.006 ± 0.0015
D	0.710 ± 0.010
E	0.775 ± 0.007
e	0.025 ± 0.004
F	0.475 ± 0.005
G	0.760 ± 0.008
H	0.135 ± 0.005
I	0.030 ± 0.005
L	0.285 ± 0.015
N	0.050 ± 0.004
S	0.1175 ref
T	0.064 ref
U	0.006 ref
V	0.028 ref
W	0.125 ref
X	0.500 ± 0.005
Z	0.140 ref

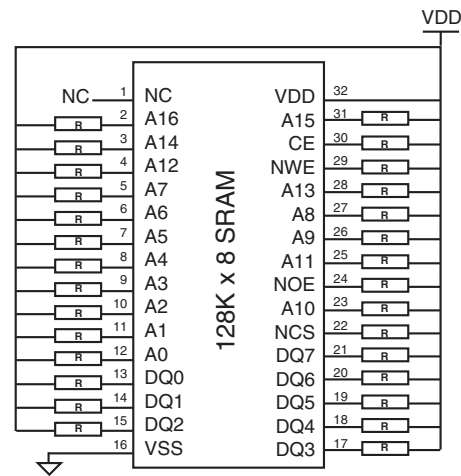
- [1] Parts delivered with leads unformed
- [2] At tie bar
- [3] Lid tied to VSS

## DYNAMIC BURN-IN DIAGRAM\*



5.5 ≤ VDD ≤ 6.5V, R ≤ 10 KΩ, VIH = VDD, VIL = VSS  
 Ambient Temperature ≥ 125 °C, F0 ≥ 100 KHz Sq Wave  
 Frequency of F1 = F0/2, F2 = F0/4, F3 = F0/8, etc.

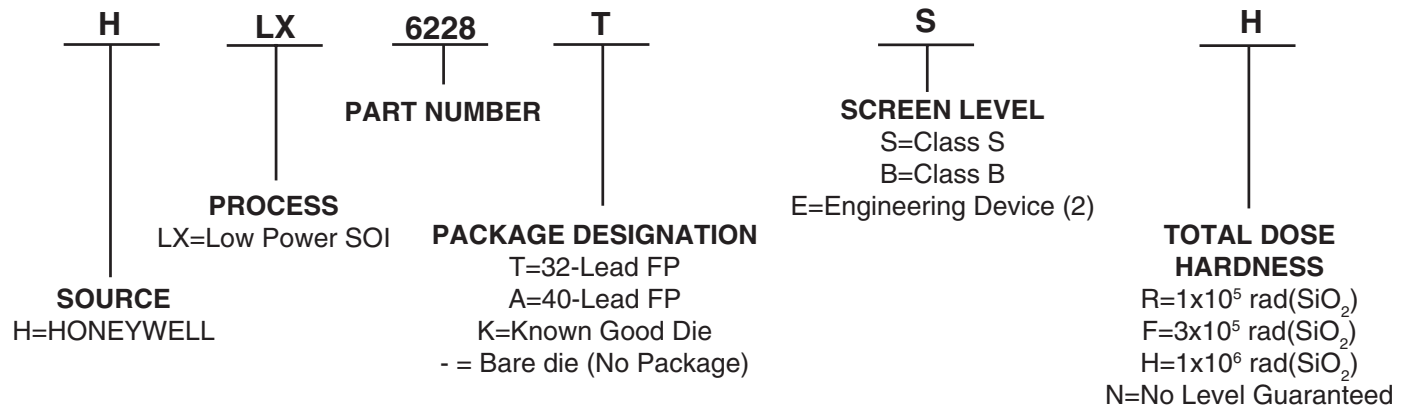
## STATIC BURN-IN DIAGRAM\*



5.5 ≤ VDD ≤ 6.5V, R ≤ 10 KΩ  
 Ambient Temperature ≥ 125 °C

\*40-Lead FP Burn-in diagram has similar connections and is available on request.

## ORDERING INFORMATION (1)



(1) Orders may be faxed to 763-954-2051. Please contact our Customer Logistics Department at 1-800-323-8295 for further information.

(2) Engineering Device description: Parameters are tested from -55 to 125°C, 24 hr burn-in, no radiation guaranteed.

Contact Factory with other needs.

**To learn more about Honeywell Solid State Electronics Center,  
 visit our web site at <http://www.ssec.honeywell.com>**

Honeywell reserves the right to make changes to any products or technology herein to improve reliability, function or design. Honeywell does not assume any liability arising out of the application or use of any product or circuit described herein; neither does it convey any license under its patent rights nor the rights of others.