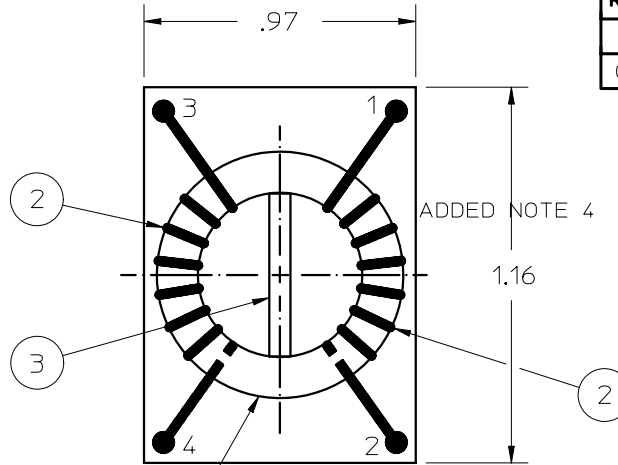


VICOR CONFIDENTIAL

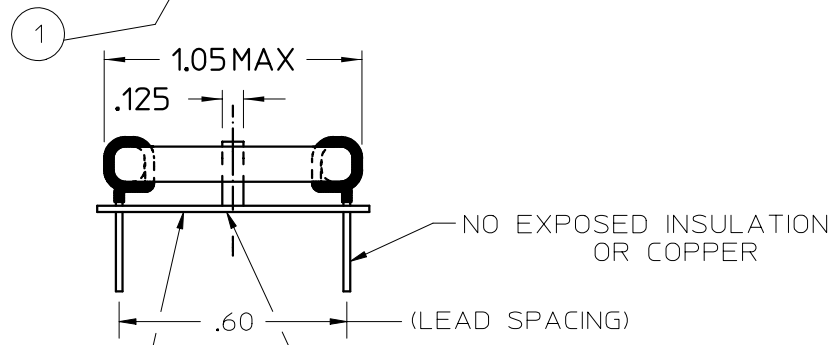
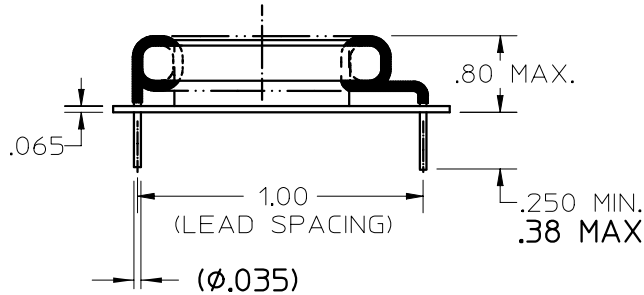
THIS DOCUMENT AND THE DATA DISCLOSED HEREIN OR HEREWITH IS NOT TO BE REPRODUCED, USED, OR DISCLOSED IN WHOLE OR IN PART TO ANYONE WITHOUT PERMISSION OF VICOR CORP.

REV.	DESCRIPTION	DATE	APPROVED
01	RELEASED PER E980275	7/1/98	DPK
02	REVISED PER E000616	1/19/01	RCM

REF.-ISOLATION INSULATOR (FR4) SEE NOTE 3



ADDED NOTE 4



NO EXPOSED INSULATION OR COPPER

MARK THIS SURFACE "02133 REV & DATE CODE"

- NOTES:
1. UL-CSA-VDE APPROVABLE. 2K VDC ISO WINDING TO WINDING.
 2. ASSEMBLY TO BE FREE OF NICKS.
 3. ITEMS 3 & 4 SUPPLIED BY VENDOR @ ASS'Y.
 4. ALL PARTS FLAME RATED MIN. U.L. 94V-0.
 5. MAX. LEAKAGE INDUCTANCE: 22 μ H.
LEAKAGE INDUCTANCE: WITH 3 TO 4 SHORTED, MEASURE FROM PIN 1 TO 2.

UNLESS OTHERWISE SPECIFIED DIMENSIONS ARE IN INCHES TOLERANCES ARE:

FRACTIONS	DECIMALS	ANGLES
$\pm 1/64$	$.XX \pm .01$	$\pm 1^\circ$
	$.XXX \pm .005$	

APPROVALS	DATE
DRAWN: P.E.I.FENI	7/1/98



TEST	ITEM NO.	WINDING	NO. OF TURNS	IND.(mH)	DC RES (m W)
10KHz @ 17.3 mV	2	1 PRI.	15 TURNS	1.90 - 3.55	20 MAX.
	2	1 PRI.	15 TURNS	1.90 - 3.55	20 MAX.

THIRD ANGLE PROJECTION

DO NOT SCALE DRAWING

FOR LIST OF PARTS SEE B.O.M. 02133

CHOKE, COMMON MODE FLTR 7 AMP RMS 15T#19/15T#19			
SIZE	FSCM NO.	DWG. NO.	REV.
B	67131	19034	02
SCALE	NONE	SHEET 1	OF 1