

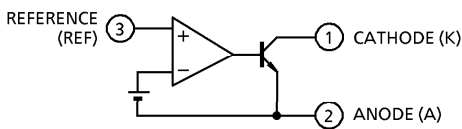
TA76431F

ADJUSTABLE PRECISION SHUNT REGULATOR

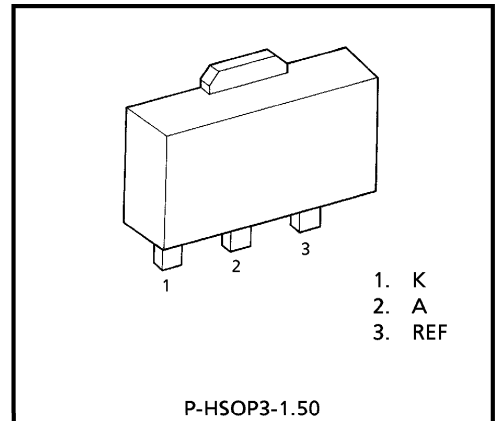
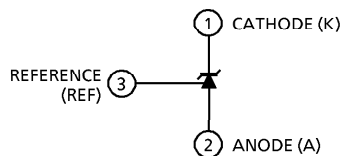
FEATURES

- Precision Reference Voltage : $V_{REF} = 2.495\text{ V} \pm 2\%$
- Small Temperature Coefficient : $|\alpha V_{REF}| = 46\text{ ppm}/^\circ\text{C}$
- Adjustable Output Voltage : $V_{REF} \leq V_{OUT} \leq 36\text{ V}$
- Low Dynamic Output Impedance : $|Z_{KA}| = 0.15\ \Omega$ (Typ.)
- Small Flat Package

FUNCTIONAL BLOCK DIAGRAM



CIRCUIT SYMBOL



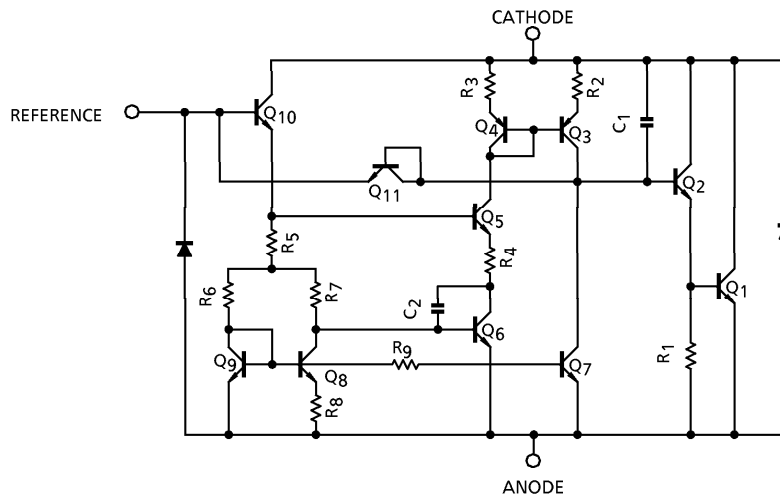
Weight : 0.05 g (Typ.)

MARKING



THIS IC CONTAINS ELECTROSTATIC SENSITIVE ELEMENT.
PLEASE HANDLE WITH CAUTION.

EQUIVALENT CIRCUIT



980910EBA2

- TOSHIBA is continually working to improve the quality and the reliability of its products. Nevertheless, semiconductor devices in general can malfunction or fail due to their inherent electrical sensitivity and vulnerability to physical stress. It is the responsibility of the buyer, when utilizing TOSHIBA products, to observe standards of safety, and to avoid situations in which a malfunction or failure of a TOSHIBA product could cause loss of human life, bodily injury or damage to property. In developing your designs, please ensure that TOSHIBA products are used within specified operating ranges as set forth in the most recent products specifications. Also, please keep in mind the precautions and conditions set forth in the TOSHIBA Semiconductor Reliability Handbook.
- The products described in this document are subject to the foreign exchange and foreign trade laws.
- The information contained herein is presented only as a guide for the applications of our products. No responsibility is assumed by TOSHIBA CORPORATION for any infringements of intellectual property or other rights of the third parties which may result from its use. No license is granted by implication or otherwise under any intellectual property or other rights of TOSHIBA CORPORATION or others.
- The information contained herein is subject to change without notice.

MAXIMUM RATINGS (Ta = 25°C)

CHARACTERISTIC		SYMBOL	RATING	UNIT
Cathode Voltage		V _{KA}	37	V
Cathode Current		I _K	- 100~150	mA
Reference Voltage		V _{REF}	7	V
Reference Current		I _{REF}	50	μA
Reference-Anode Reverse Current		- I _{REF}	10	mA
Power Dissipation	Ta = 25°C	P _D	500	mW
	(*)		1000	
Operating Temperature		T _{opr}	- 40~85	°C
Storage Temperature		T _{stg}	- 55~150	°C

(*) : Mounted on ceramic substrate (250 mm² × 0.8 t)

RECOMMENDED OPERATING CONDITIONS

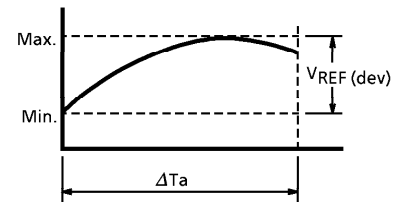
CHARACTERISTIC	SYMBOL	MIN.	TYP.	MAX.	UNIT
Cathode Voltage	V _{KA}	V _{REF}	—	36	V
Cathode Current	I _K	1	—	100	mA
Operating Temperature	T _{opr}	- 40	—	85	°C

ELECTRICAL CHARACTERISTICS (Unless otherwise specified, Ta = 25°C, I_K = 10 mA)

CHARACTERISTIC	SYMBOL	TEST CIR-CUIT	TEST CONDITION	MIN.	TYP.	MAX.	UNIT
Reference Voltage	V _{REF}	—	V _{KA} = V _{REF}	2.440	2.495	2.550	V
Deviation of Reference Input Voltage Over Temperature	V _{REF} (dev) (Note)	—	0°C ≤ Ta ≤ 70°C V _{KA} = V _{REF}	—	8	17	mV
Ratio of Change in Reference Input Voltage to the Change in Cathode Voltage	ΔV _{REF} / ΔV	—	V _{REF} ≤ V _{KA} ≤ 10 V	—	0.8	2.7	mV / V
		—	10 V ≤ V _{KA} ≤ 36 V	—	0.5	2.0	
Reference Input Current	I _{REF}	—	V _{KA} = V _{REF}	—	1.4	4	μA
Deviation of Reference Input Current Over Temperature	I _{REF} (dev) (Note)	—	0°C ≤ Ta ≤ 70°C, V _{KA} = V _{REF} R ₁ = 10 kΩ, R ₂ = ∞	—	0.3	1.2	μA
Minimum Cathode Current for Regulation	I _{Kmin}	—	V _{KA} = V _{REF}	—	0.4	1.0	mA
Off-State Cathode Current	I _{Koff}	—	V _{KA} = 36 V, V _{REF} = 0 V	—	—	1.0	μA
Dynamic Impedance	Z _{KA}	—	V _{KA} = V _{REF} , f ≤ 1 kHz 1 mA ≤ I _K ≤ 100 mA	—	0.15	0.5	Ω

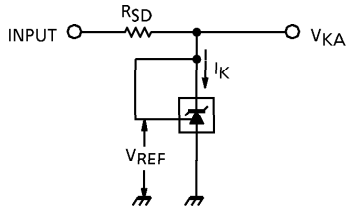
(Note) : The deviation parameters V_{REF} (dev) and I_{REF} (dev) are defined as the maximum variation of the V_{REF} and I_{REF} over the rated temperature range. The average temperature coefficient of the V_{REF} is defined as ;

$$|\alpha V_{REF}| = \frac{V_{REF} (dev)}{V_{REF@25^\circ C} \Delta T_a} \times 10^6 \text{ (ppm / } ^\circ C \text{)}$$

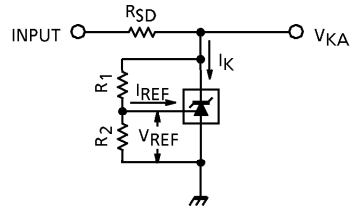


TEST PARAMETER

(1) $V_{KA} = V_{REF}$ MODE

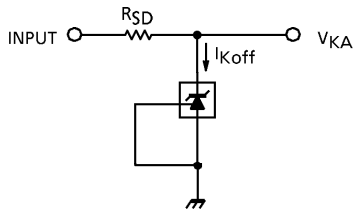


(2) $V_{KA} > V_{REF}$ MODE



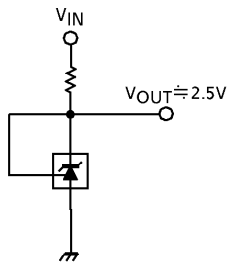
$$V_{KA} = V_{REF} \left(1 + \frac{R_1}{R_2} \right) + I_{REF} \cdot R_1$$

(3) OFF-STATE MODE

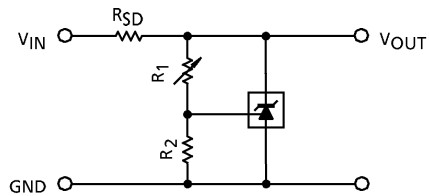


TYPICAL APPLICATIONS

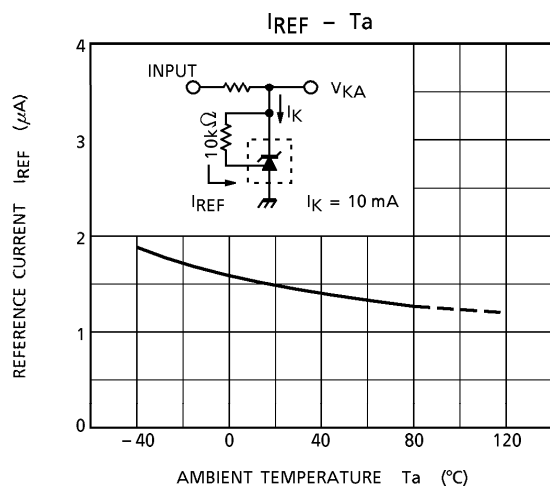
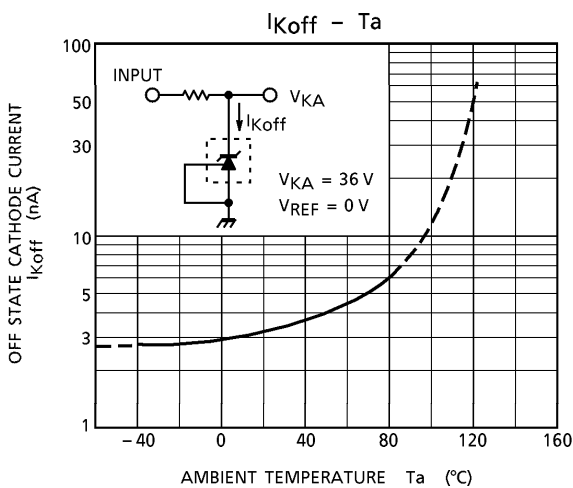
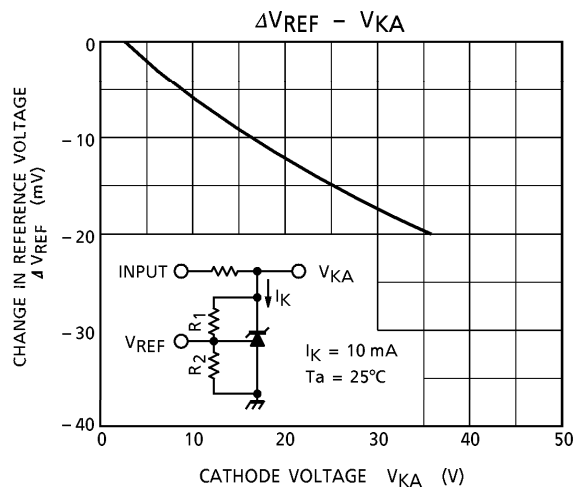
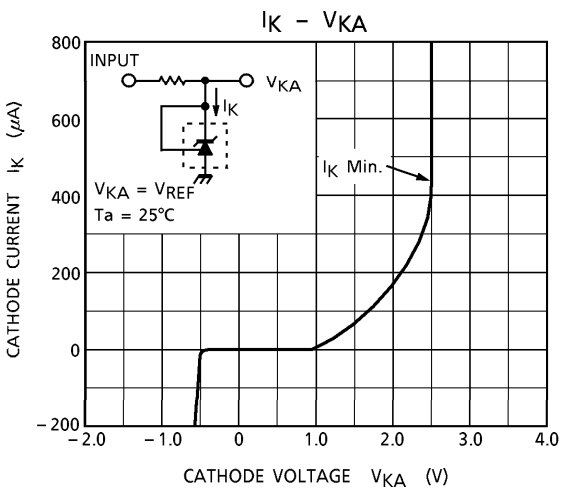
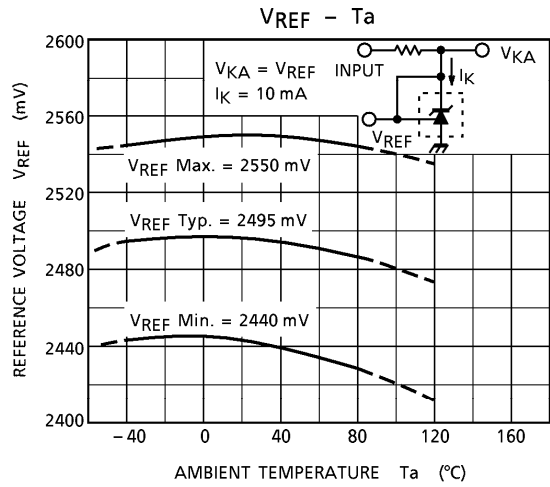
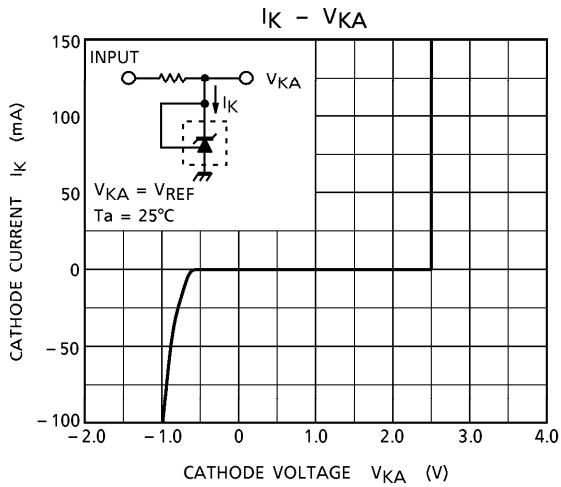
(1) 2.5 V REFERENCE

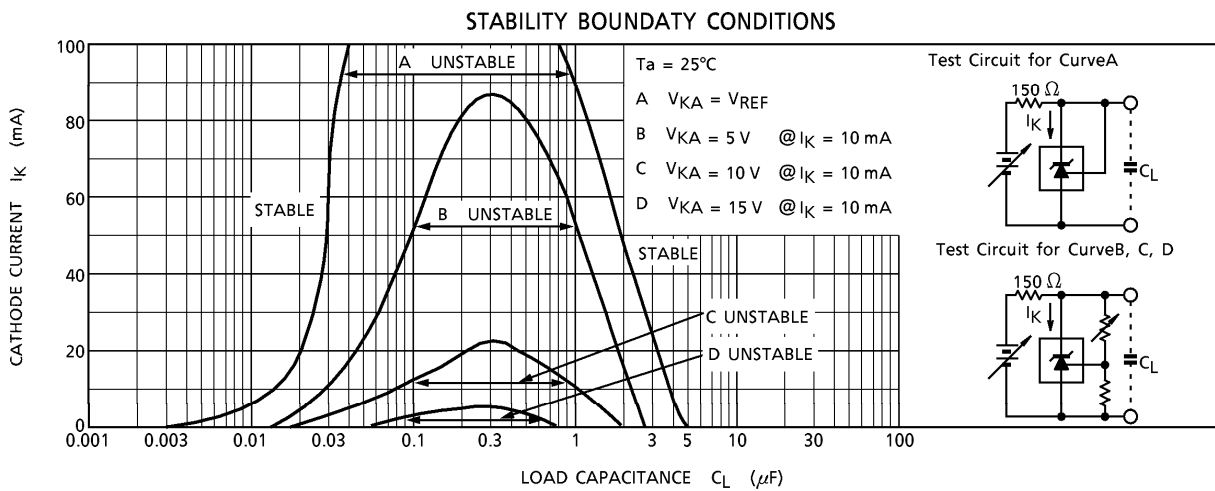
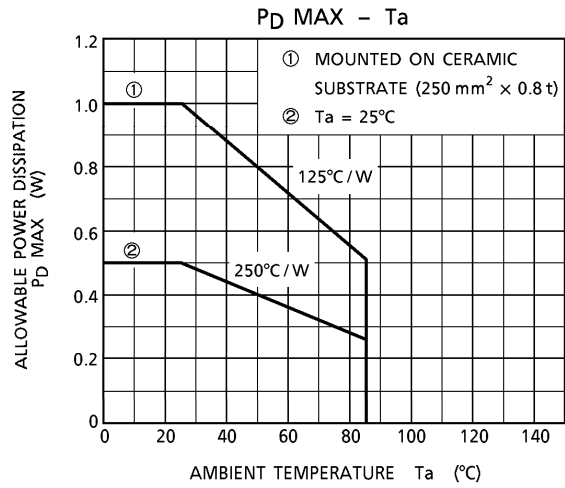
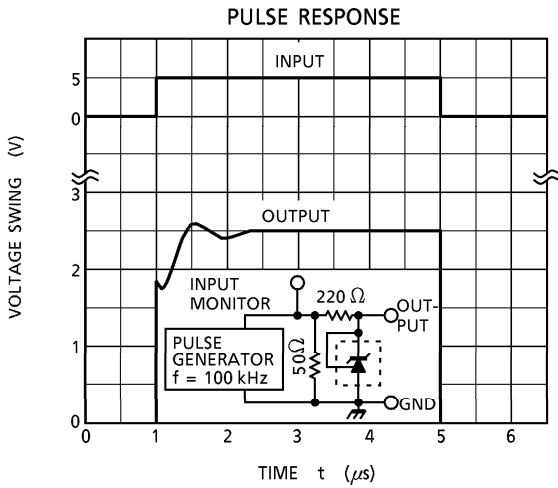
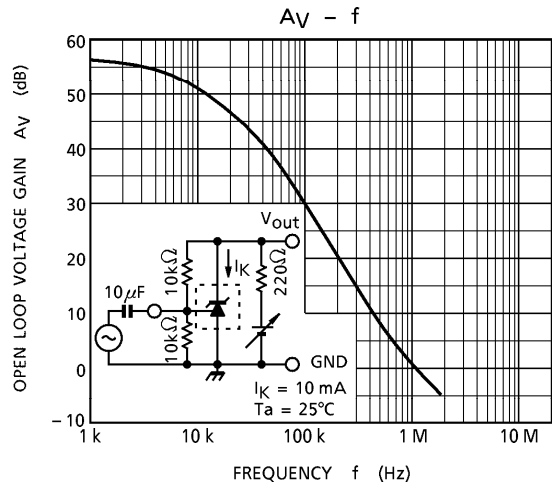
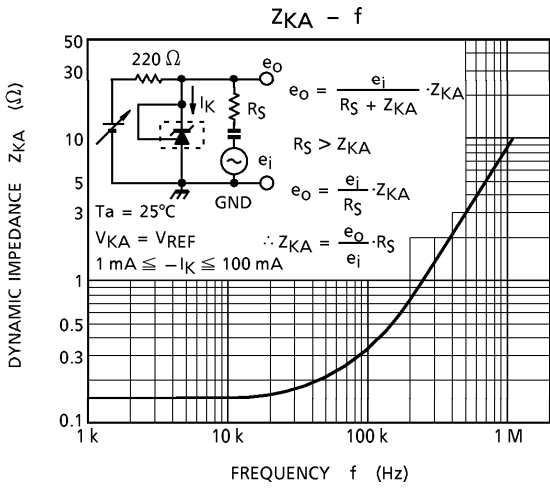


(2) SHUNT REGULATOR



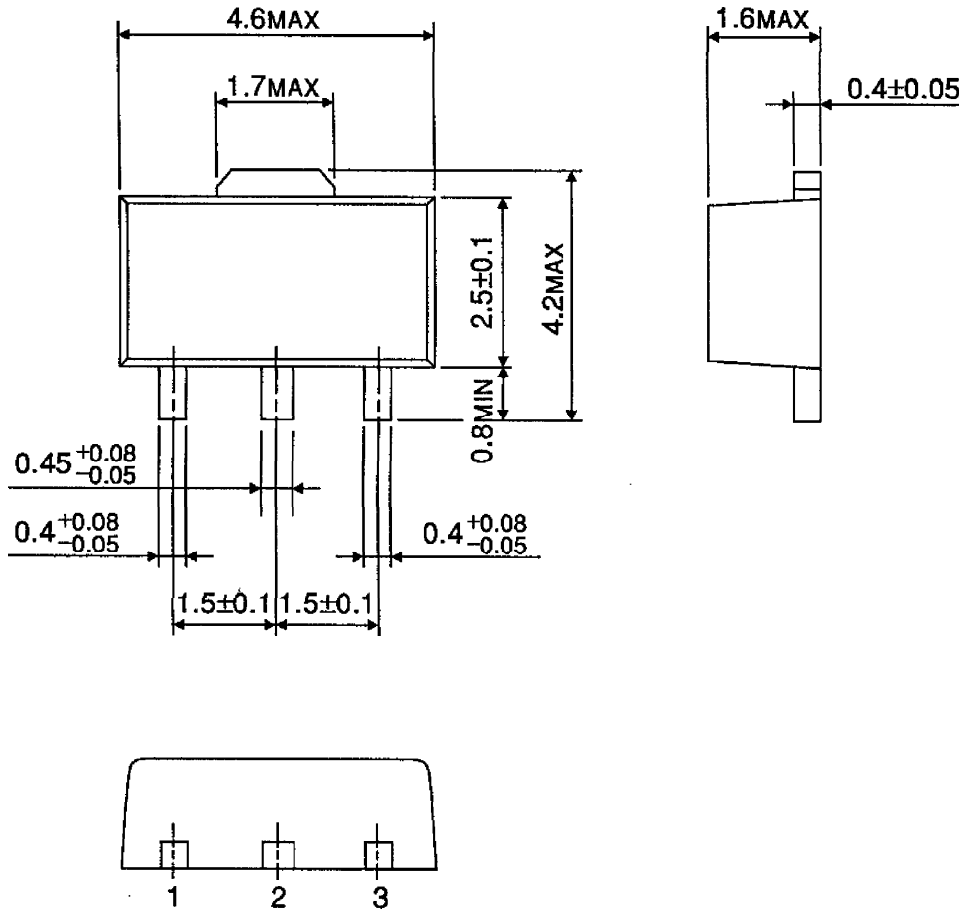
$$V_{OUT} = V_{REF} \left(1 + \frac{R_1}{R_2} \right) + I_{REF} \cdot R_1$$





PACKAGE DIMENSIONS
P-HSOP3-1.50

Unit : mm



Weight : 0.05 g (Typ.)