

### Features

- Optimized wavelength for Plastic optical fiber
- High Bandwidth
- No threshold
- Surface emitting
- High coupling efficiency
- Hermetically sealed

### Applications

- IEEE1394b
- 155Mbps ATM
- Homenetworking
- Industrial applications

### Ordering Information

ZL60003/TBD TO-46 Package

-20 to +70°C

### Description

This unique Resonant Cavity Surface-Emitting LED (RCLED) is designed for optical communications over Plastic Optical Fiber (POF) in applications such as IEEE1394b (S100, S200) and 155 Mbps ATM. For very high speed operation, i.e. above 200 Mbps, an electrical pre-emphasis circuit is recommended to increase the bandwidth of the device. ZL60003 is also well suited for applications where visible light is required, such as in sensing and positioning.

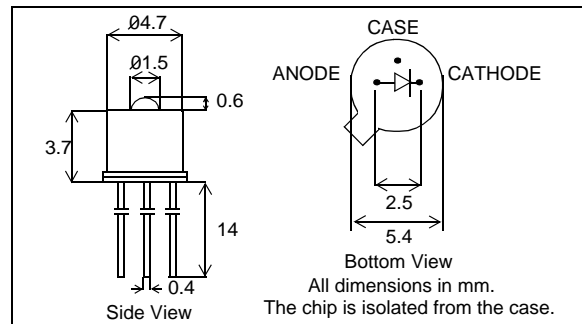


Figure 1 - Pin Description

Parameter	Symbol	Min	Typ	Max	Unit	Test Condition
Fiber-Coupled Power	$P_{\text{fiber}}$	1.2			mW	$I_F=30\text{mA}$ (Note1)
Optical Power	$P_o$		2.0		mW	$I_F=30\text{mA}$
Beam Divergence (FWHM)	$2\Theta_{1/2}$		25		deg	$I_F=30\text{mA}$
Bandwidth (3dBel)	$f_c$	125			MHz	$I_F=30\text{mA}$ (Note1)
Peak Wavelength	$\lambda_p$	640	650	660	nm	$I_F=30\text{mA}$ (Note1)
Spectral Width (FWHM)	$\Delta\lambda$			20	nm	$I_F=30\text{mA}$ (Note1)
Forward Voltage	$V_F$			2.3	V	$I_F=30\text{mA}$

Note: Fiber: POF 980/1000 $\mu\text{m}$  Step Index, NA=0.48. For high speed communication, a low NA POF or a graded index POF are recommended.

Table 1 - Optical and Electronic characteristics (25°C Case temperature)

Parameter	Symbol	Limit
Storage Temperature	$T_{stg}$	-55 to +125 <sup>0</sup> C
Operating Temperature	$T_{op}$	-20 to +70 <sup>0</sup> C
Electrical Power Dissipation	$P_{tot}$	130 mW
Continuous Forward Current (f<10 kHz)	$I_F$	40 mA
Peak Forward Current (duty cycle<50%,f>1 MHz)	$I_{FRM}$	85 mA
Reverse Voltage	$V_R$	5 V
Soldering Temperature (2mm from the case for 10 sec.)	$T_{sld}$	260 <sup>0</sup> C

**Table 2 - Absolute Maximum Ratings**

Parameter	Symbol	Min	Typ	Max	Unit
Thermal Resistance - Infinite Heat Sink	$R_{thjc}$		200		<sup>0</sup> C/W
Thermal Resistance - No Heat Sink	$R_{thja}$		500		<sup>0</sup> C/W
Temp. Coefficient - Wavelength	$d\lambda/dT_j$		0.08		nm/ <sup>0</sup> C
Optical Power - Fiber Coupled	$dP_f/dT_j$		-0.7		%/ <sup>0</sup> C

**Table 3 - Thermal Characteristics**



**For more information about all Zarlink products  
visit our Web Site at  
[www.zarlink.com](http://www.zarlink.com)**

Information relating to products and services furnished herein by Zarlink Semiconductor Inc. trading as Zarlink Semiconductor or its subsidiaries (collectively "Zarlink") is believed to be reliable. However, Zarlink assumes no liability for errors that may appear in this publication, or for liability otherwise arising from the application or use of any such information, product or service or for any infringement of patents or other intellectual property rights owned by third parties which may result from such application or use. Neither the supply of such information or purchase of product or service conveys any license, either express or implied, under patents or other intellectual property rights owned by Zarlink or licensed from third parties by Zarlink, whatsoever. Purchasers of products are also hereby notified that the use of product in certain ways or in combination with Zarlink, or non-Zarlink furnished goods or services may infringe patents or other intellectual property rights owned by Zarlink.

This publication is issued to provide information only and (unless agreed by Zarlink in writing) may not be used, applied or reproduced for any purpose nor form part of any order or contract nor to be regarded as a representation relating to the products or services concerned. The products, their specifications, services and other information appearing in this publication are subject to change by Zarlink without notice. No warranty or guarantee express or implied is made regarding the capability, performance or suitability of any product or service. Information concerning possible methods of use is provided as a guide only and does not constitute any guarantee that such methods of use will be satisfactory in a specific piece of equipment. It is the user's responsibility to fully determine the performance and suitability of any equipment using such information and to ensure that any publication or data used is up to date and has not been superseded. Manufacturing does not necessarily include testing of all functions or parameters. These products are not suitable for use in any medical products whose failure to perform may result in significant injury or death to the user. All products and materials are sold and services provided subject to Zarlink's conditions of sale which are available on request.

Purchase of Zarlink's I<sup>2</sup>C components conveys a licence under the Philips I<sup>2</sup>C Patent rights to use these components in an I<sup>2</sup>C System, provided that the system conforms to the I<sup>2</sup>C Standard Specification as defined by Philips.

Zarlink and the Zarlink Semiconductor logo are trademarks of Zarlink Semiconductor Inc.

Copyright 2002, Zarlink Semiconductor Inc. All Rights Reserved.

**TECHNICAL DOCUMENTATION - NOT FOR RESALE**

---