

General Description

The PMB 2313, PMB 2314 prescaler family is designed for use in mobile radio communication devices. It is fabricated using Siemens B6HF silicon bipolar process. Due to its low power consumption, low supply voltage down to 2.7 V and low phase noise generation it is suitable for the use in various battery powered handheld systems.

The balanced differential inputs of the IC may be connected either symmetrically or asymmetrically.

Depending on the logic level at SW input the dividing ratio is fixed to 1:64/65 or 1:128/129. The MOD input determines whether modulus 1/n or 1/(n+1) (n=64 or n=128, according to SW level) is active.

The IC can be switched to a low-power standby mode (input STB). The MOD input is TTL/CMOS compatible. The emitter follower output is CMOS compatible.

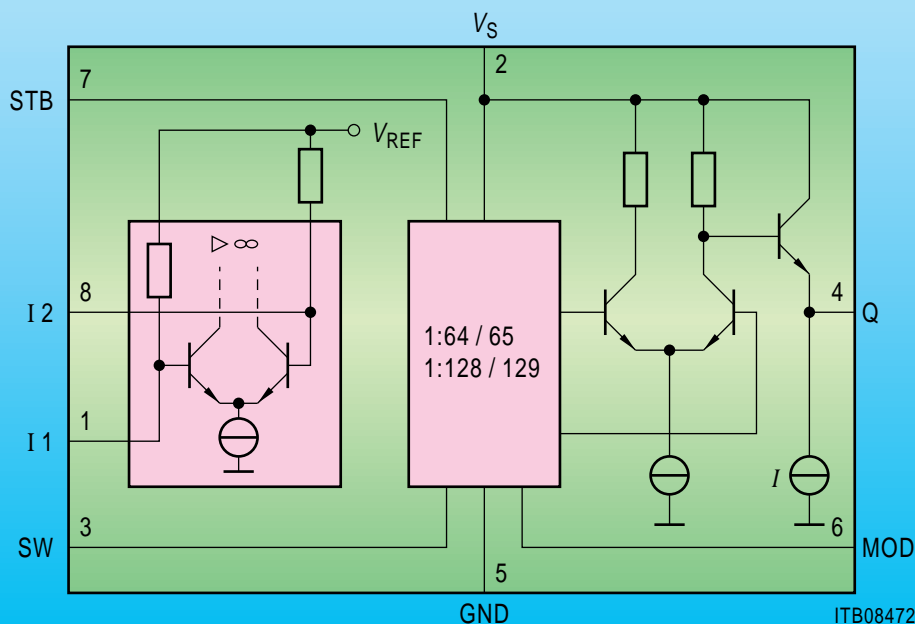
Applications

All analog and digital mobile communication systems as part of RF- and IF synthesizers.

Type	Package
PMB 2313-T	P-DSO-8-1 (SMD)
PMB 2314-T	P-DSO-8-1 (SMD)

Features

- Low operating current
- Power-down mode
- High input sensitivity
- Wide input frequency range
PMB 2313: 0.1 GHz to 1.1 GHz
PMB 2314: 0.1 GHz to 2.1 GHz
- Low noise
- Operating voltage 2.7 V to 5.5 V
- P-DSO-8 package
- Temperature range – 30 °C to 85 °C



Block Diagram