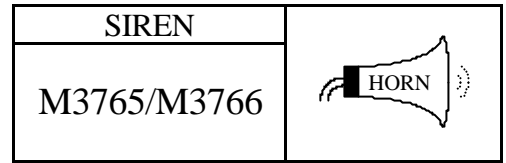




HORN/SIREN
WITH SOFT CHIRP
6 ALARM SOUNDS

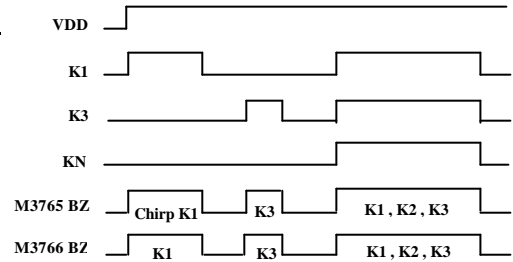
警報喇叭專用
附唧聲
6 種警報聲 IC



FEATURES 功能敘述

- K1 to K6 cascade.
- Level-hold operation.
- LED flash output.
- Soft chirp : 200ms

P/N	REMARK
M3765	6 Sounds with soft chirp
M3766	6 Sounds



APPLICATION 產品應用

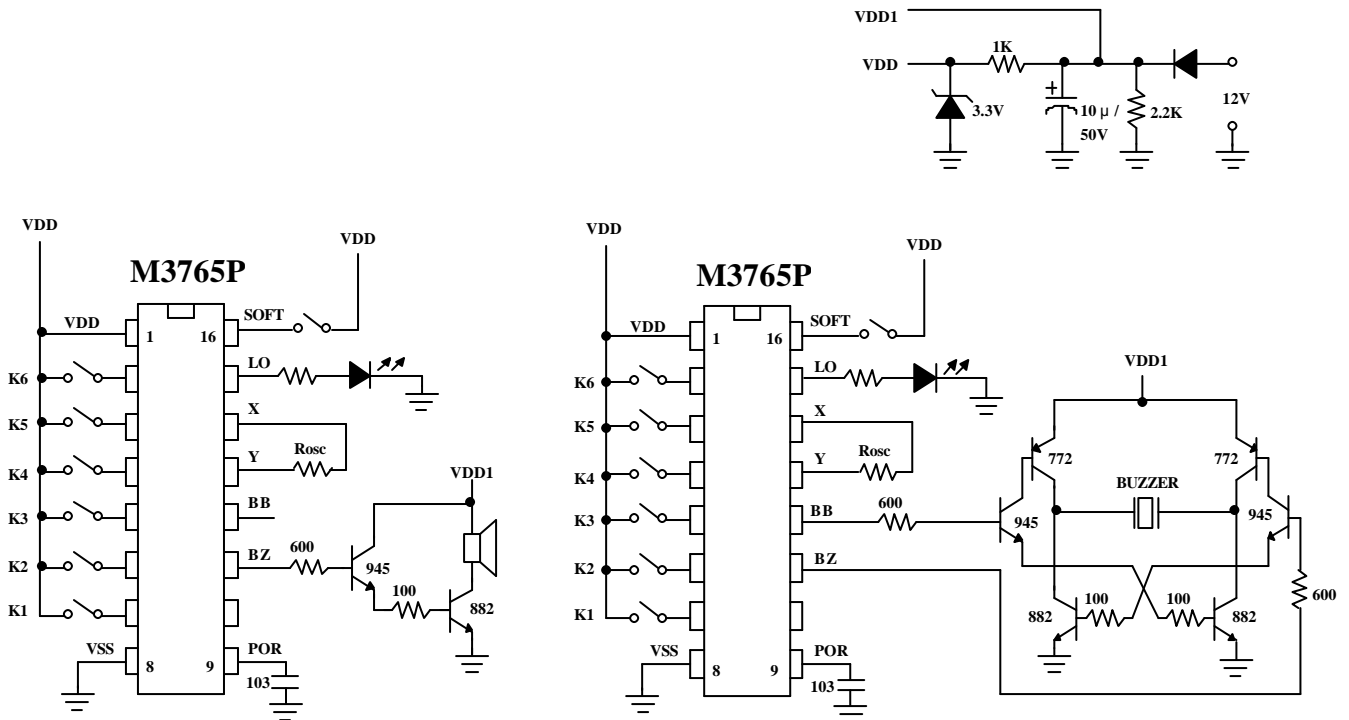
Alarm system, Horn etc..

ELECTRICAL CHARACTERISTICS 電氣規格

(@ $V_{DD}=3.5V$ unless otherwise specified)

Characteristics	Sym.	Min.	Typ.	Max.	Unit	REMARKS
工作電壓 Operating Voltage	V_{DD}		3.5	4.9	V	
工作電流 Operating Current	I_{OP}		0.1	0.5	mA	No load
推動電流 BZ Driving Current	I_O	1			mA	@ $V_{DS}=1V$
推動電流 LO Driving Current	I_{OL}	6			mA	@ $V_{DS}=1.2V$
振盪頻率 Oscillator Frequency	F_{OSC}		128		KHz	External $\pm 30\%$, $R_{osc}=120K$
工作溫度 Operating Temperature	Temp.	0	25	60		

APPLICATION DIAGRAM 參考電路圖




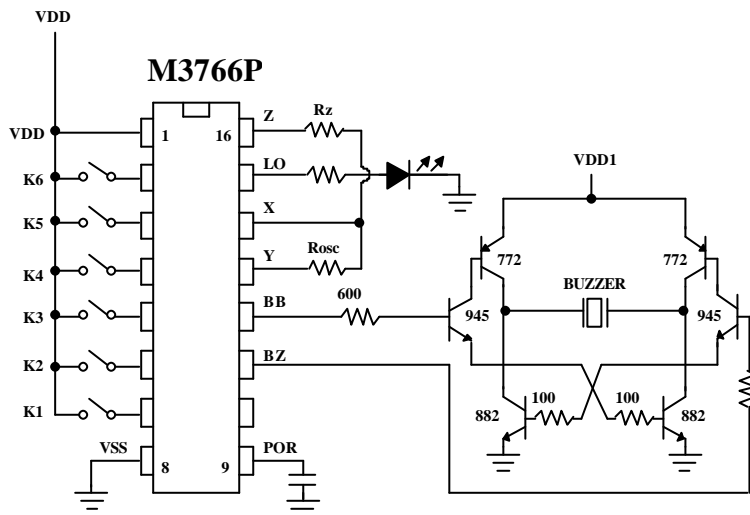
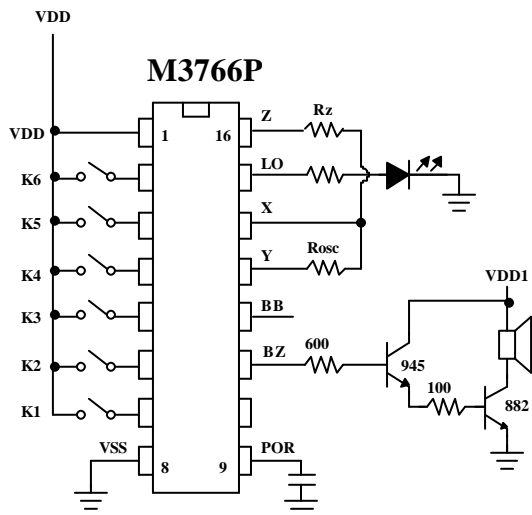
* All specs and applications shown above subject to change without prior notice.
(以上電路及規格僅供參考,本公司得逕行修正)



HORN/SIREN
WITH SOFT CHIRP
6 ALARM SOUNDS

警報喇叭專用
附唧聲
6 種警報聲 IC

SIREN	
M3765/M3766	



* All specs and applications shown above subject to change without prior notice.
(以上電路及規格僅供參考,本公司得逕行修正)