

FEATURES

- 10 Gb/s differential output TIA
- 7.5 GHz Bandwidth
- -20 dBm Typical Sensitivity
- +3 dBm Optical Overload
- 1250-1620nm PIN Photodetector
- Transimpedance gain of 12K and 450mVpp output

APPLICATIONS

- SONET OC-192/SDH STM-64
- 10Gb/s Ethernet



High speed 5-pin package

Product Description

The ANADIGICS AMT8630 is a low cost optical receiver capable of operation to 10Gb/s. A high performance PIN photodiode and a low noise, high gain transimpedance pre-amplifier (TIA) are incorporated in a hermetic high speed header. The bandwidth is 7.5GHz and dynamic range is over

23dB. High gain of the TIA eliminates the need for a separate post amplifier in most applications. These devices are readily designed into receivers, transceivers and transponders for SONET OC-192/SDH STM-64 and 10 Gigabit Ethernet.

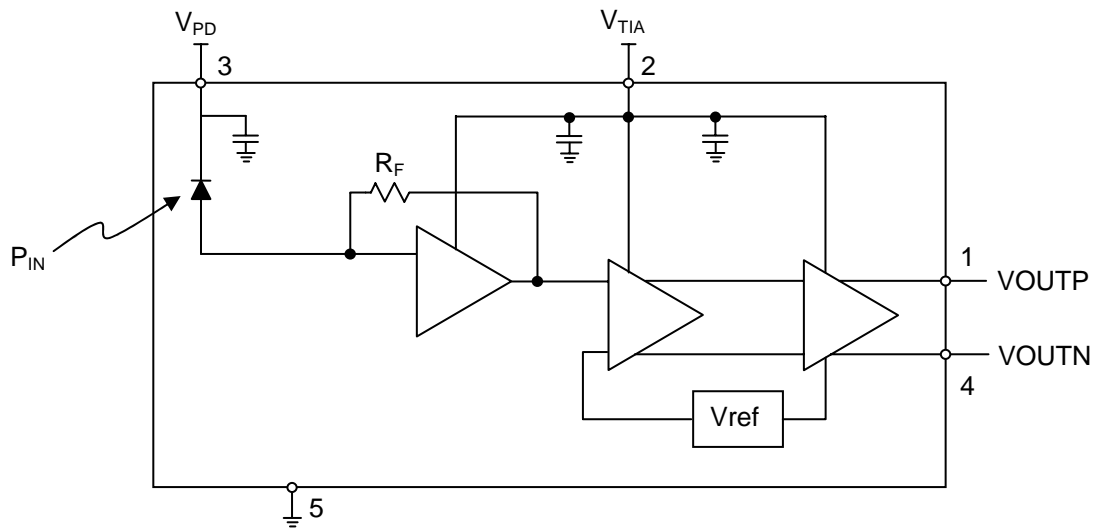


Figure 1: Functional Block Diagram

ELECTRICAL CHARACTERISTICS

Table 1: Absolute Maximum Ratings

PARAMETER	MIN	MAX	UNIT
Supply Voltage	-0.5	4.0	V
Photodiode bias Voltage	2	10	V
Optical Input Power	-	+ 10	dBm
Storage Temperature	- 40	+ 125	°C

Stresses in excess of the absolute ratings may cause permanent damage. Functional operation is not implied under these conditions. Exposure to absolute ratings for extended periods of time may adversely affect reliability.

Table 2: Electrical Specifications

PARAMETER	MIN	TYP	MAX	UNIT
Wavelength	1250	-	1620	nm
Sensitivity ⁽¹⁾	-	-20	-19	dB
Overload	-	3	-	dBm
Responsivity 1550nm	0.80	0.90	-	A/W
Responsivity 1310nm	0.75	0.85	-	A/W
Dark current	-	0.2	5	nA
Small signal transimpedance gain (differential)	10.5	12	13.5	KΩ
Small signal 3dB bandwidth	7	8	10	GHz
Low frequency cutoff	-	10	45	KHz
Output return loss (differential) ⁽²⁾	-	9	-	dB
Output voltage swing (differential)	350	450	650	mV _{P-P}
Optical return loss	50	55	-	dB
Photodiode bias voltage	2.5	3.3	9	V
TIA supply voltage	3.1	3.3	3.5	V
TIA supply current	-	32	-	mA
Power consumption	85	105	142	mW
Operating temperature	-40	25	85	°C

(1) 10Gb/s PRBS 2³¹-, 1550nm, ER >12dB

(2) ½(S₁₁ - S₂₁ + S₂₂ - S₁₂), 100MHz – 9GHz

Figure 2: Pin location

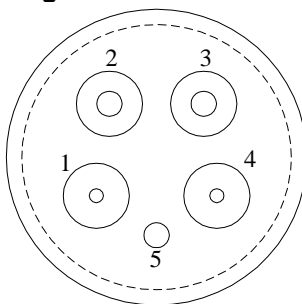


Table 3: Pin description

PIN	NAME	DESCRIPTION
1	VOUTP	Non-inverted output voltage. Logical '1' with an optical input. Output is not AC coupled.
2	V _{TIA}	Amplifier supply voltage: 3.3V
3	V _{PD}	Photodiode bias: 3.3V
4	VOUTN	Inverted output voltage: Logical '0' with an optical input. Output is not AC coupled
5	Ground	Ground

PERFORMANCE

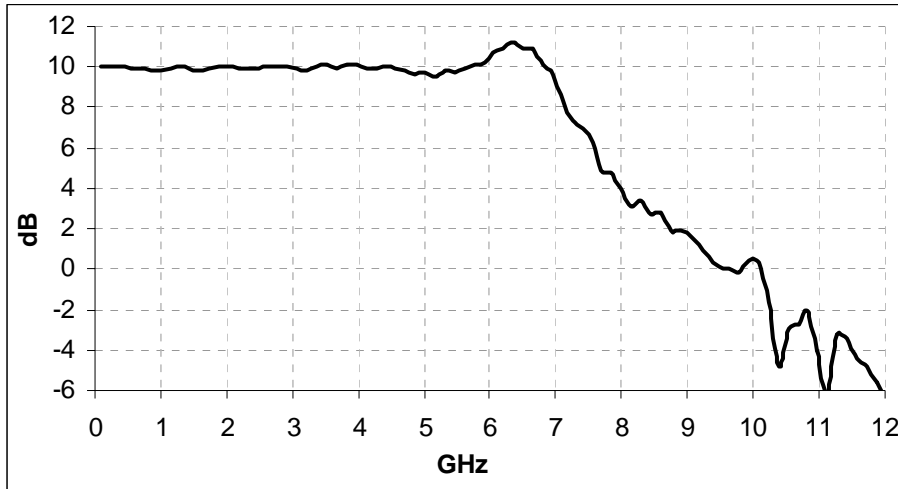


Figure 3: Frequency response of AMT8630-T46L-EVA (-20dBm optical input)

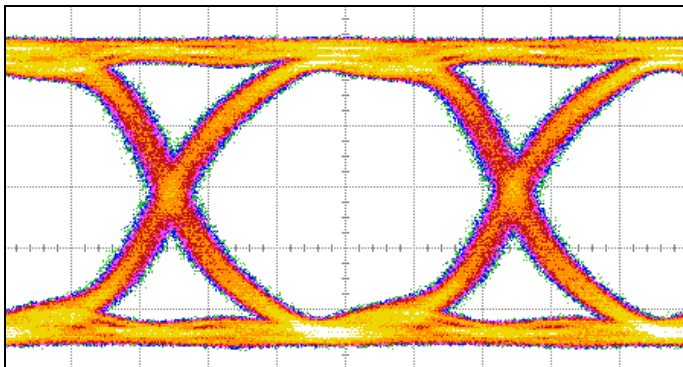


Figure 4: Optical input power: -5dBm, Extinction ratio: 12dB. (50mV/Div, 20ps/Div)

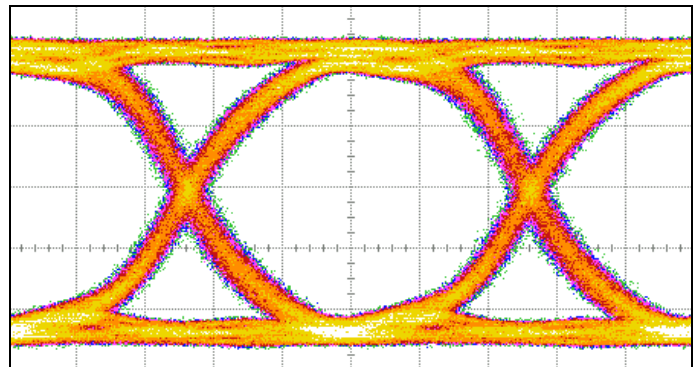


Figure 5: Optical input power: -10dBm, Extinction ratio: 12dB. (50mV/Div, 20ps/Div)

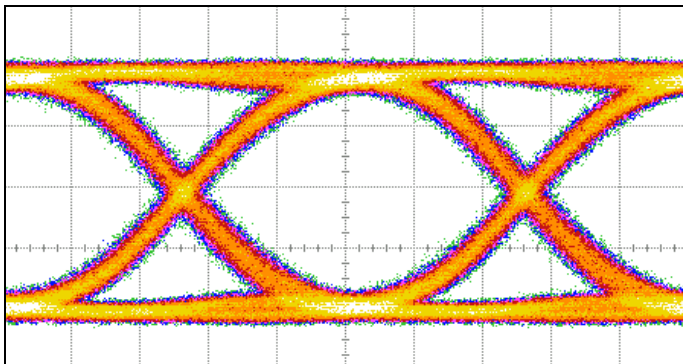


Figure 6: Optical input power: -15dBm, Extinction ratio: 12dB. (50mV/Div, 20ps/Div)

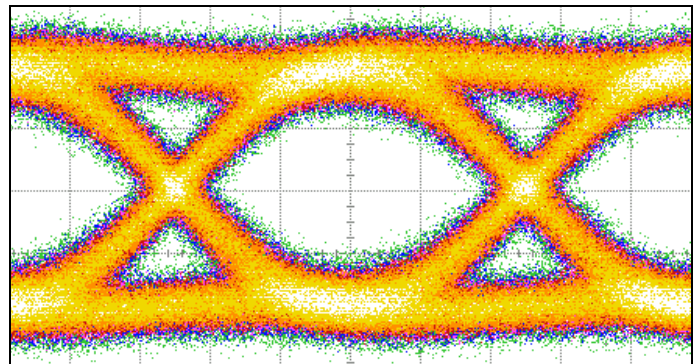
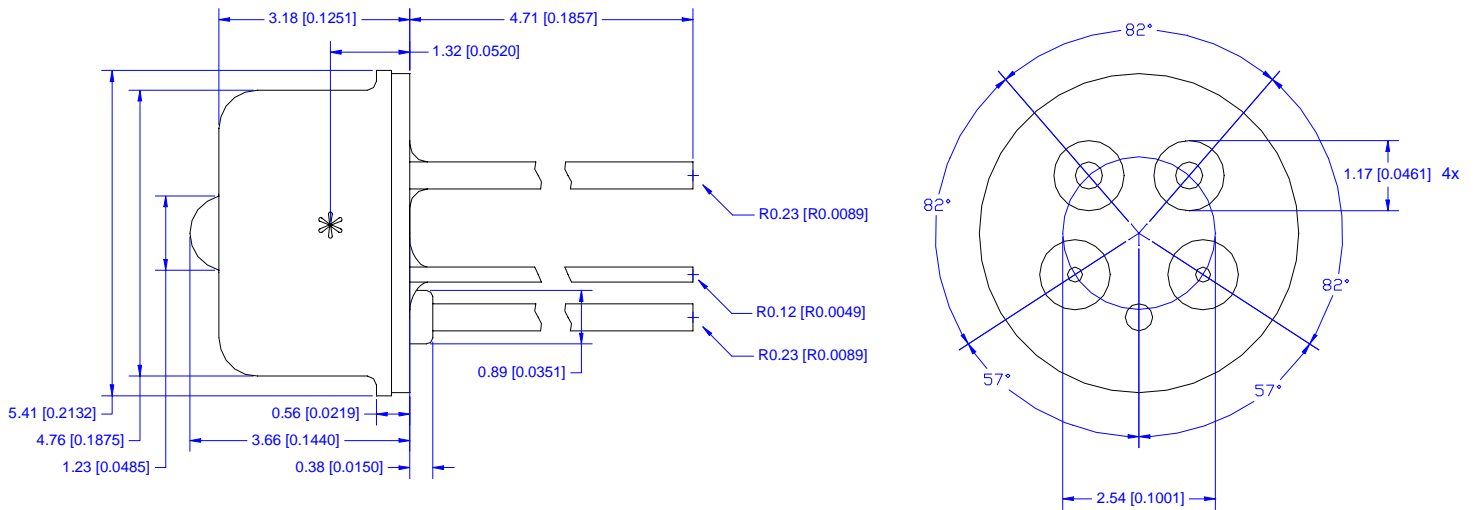


Figure 7: Optical input power: -20dBm, Extinction ratio: 12dB. (20mV/Div, 20ps/Div)

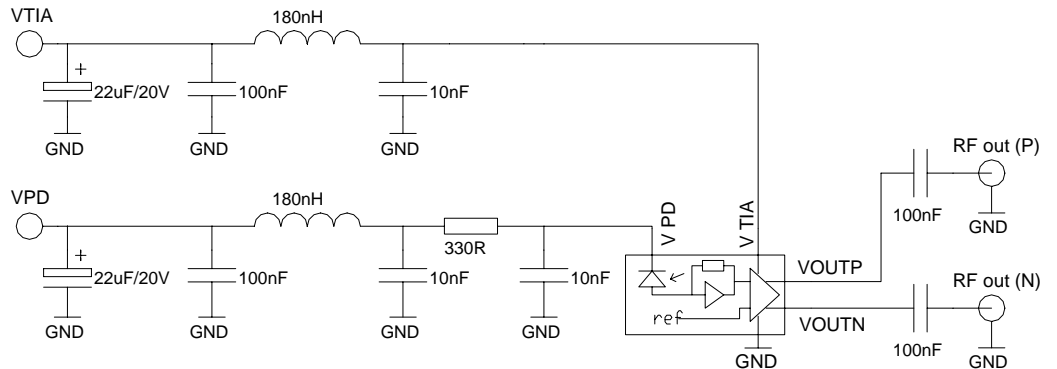
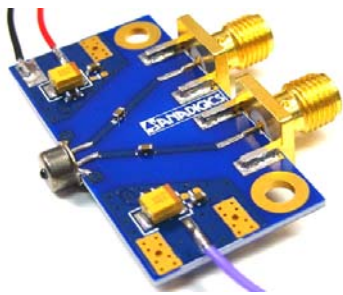
AMT8630



PACKAGE DIMENSIONS (mm [Inches])



EVALUATION BOARD



ORDERING INFORMATION

Part Number	PACKAGE DESCRIPTION
AMT8630-T46L	3.3V High speed 5 pin package with ball lens
AMT8630-H1	3.3V High speed 5 pin package with pigtail
AMT8630-T46L-EVA	3.3V High speed 5 pin package with ball lens mounted on evaluation board
AMT8630-H1-EVA	3.3V High speed 5 pin package with pigtail mounted on evaluation board

ANADIGICS, Inc.

829 Flynn Road
 Camarillo, California 93012, U.S.A.
 Tel: +1 (805) 445-4500
 Fax: +1 (805) 445-4502
 URL: <http://www.anadigics.com>
 E-mail: Mktg@anadigics.com

IMPORTANT NOTICE

ANADIGICS, Inc. reserves the right to make changes to its products or discontinue any product at any time without notice. The product specifications contained in Advanced Product Information sheets and Preliminary Data sheets are subject to change prior to a product's formal introduction. Information in Data Sheets have been carefully checked and are assumed to be reliable; however, ANADIGICS assumes no responsibility for inaccuracies. ANADIGICS strongly urges customers to verify that the information they are using is current before placing orders.

WARNING

ANADIGICS products are not intended for use in life support appliances, devices, or systems. Use of an ANADIGICS product in any such application without written consent is prohibited.