

Modulation PLL for GSM, DCS and PCS Systems

Description

The U2896B is a monolithic integrated circuit manufactured using TEMIC Semiconductors' advanced silicon bipolar UHF5S technology. The device integrates a mixer, an I/Q modulator, a phase-frequency detector (PFD) with two synchronous programmable dividers, and a charge pump. The U2896B is designed for cellular phones such as GSM900, DCS1800, and PCS1900, applying a transmitter architecture at which the VCO operates at the TX output frequency. No duplexer is

needed since the out-of-band noise is very low. The U2896B exhibits low power consumption. Broadband operation provides high flexibility for multi-band frequency mappings. The IC is available in a shrinked small-outline 36-pin package (SSO36).

Electrostatic sensitive device.

Observe precautions for handling.



Features

- Supply voltage range 2.7 V to 5.5 V
- Current consumption 40 mA
- Power-down functions
- High-speed PFD and charge pump (CP)
- Small CP saturation voltages (0.5/0.6 V)
- Programmable LO divider and CP polarity
- Low-current standby mode

Benefits

- Novel TX architecture saves filter costs
- Extended battery operating time without duplexer
- Less board space (few external components)
- VCO control without voltage doubler
- Small SSO36 package
- One device for all GSM bands

Block Diagram

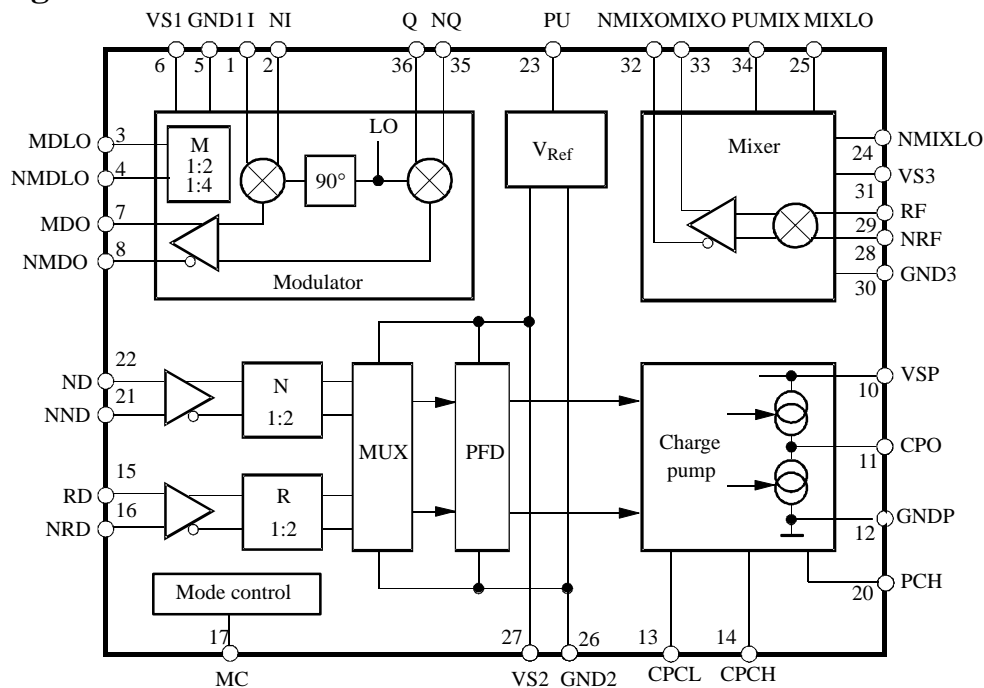
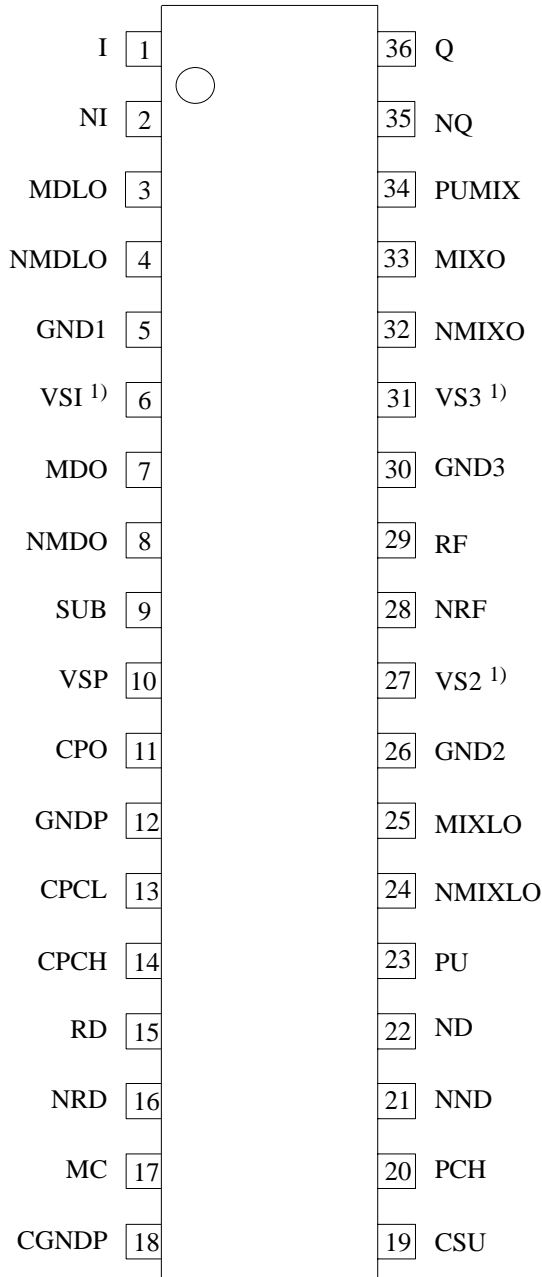


Figure 1. Block diagram

Ordering Information

Extended Type Number	Package	Remarks
U2896B-MFCG3	SSO36	Taped and reeled

Pin Description



14892

Figure 2. Pinning

Pin	Symbol	Function
1	I	In-phase baseband input
2	NI	Complementary to I
3	MDLO	I/Q-modulator LO input
4	NMDLO	Complementary to MDLO
5	GND1	Ground
6	VS1 ¹⁾	Supply I/Q modulator
7	MDO	I/Q modulator
8	NMDO	Complementary to MDO
9	SUB	Substrate, connected to GND
10	VSP	Supply charge pump
11	CPO	Charge-pump output
12	GNDP	Ground
13	CPCL	Charge-pump current control GSM1800
14	CPCH	Charge-pump current control GSM900
15	RD	R-divider input
16	NRD	Complementary to RD
17	MC	Mode control
18	CGNDP	GND for charge-pump blocking (optional)
19	CSU	Charge-pump blocking (optional)
20	PCH	Precharge for loop filter (optional)
21	NND	Complementary to ND
22	ND	N-divider input
23	PU	Power-up. whole chip, except mixer
24	NMIXLO	Complementary to MIXLO
25	MIXLO	Mixer LO input
26	GND2	Ground
27	VS2 ¹⁾	Supply (MISC)
28	NRF	Complementary to RF
29	RF	Mixer RF input
30	GND3	Ground
31	VS3 ¹⁾	Supply mixer
32	NMIXO	Complementary to MIXO
33	MIXO	Mixer output
34	PUMIX	Power-up mixer
35	NQ	Complementary to Q
36	Q	Quad-phase baseband input

¹⁾ Between the Pins VS1, VS2 and VS3 the allowed maximum voltage is ≤ 200 mV

Absolute Maximum Ratings

Parameters	Symbol	Value	Unit
Supply voltage VS1, VS2, VS3	V _{VS#}	≤ V _{VSP}	V
Supply voltage charge pump VSP	V _{VSP}	5.5	V
Voltage at any input	V _{Vi#}	-0.5 ≤ V _{Vi#} ≤ V _{VS#} + 0.5	V
Current at any input / output pin except CPC	I _{I#} I _{O#}	2	mA
CPC output currents	I _{CPC}	5	mA
Ambient temperature	T _{amb}	-20 to +85	°C
Storage temperature	T _{stg}	-40 to +125	°C

Operating Range

Parameters	Symbol	Value	Unit
Supply voltage	V _{VS#}	2.7 to 5.5	V
Supply voltage	V _{VSP}	2.7 to 5.5	V
Ambient temperature	T _{amb}	-20 to +85	°C

Thermal Resistance

Parameters	Symbol	Value	Unit
Junction ambient SSO36	R _{thJA}	130	K/W

Electrical Characteristics

V_S = 2.7 to 5.5 V, T_{amb} = -20°C to +85°C, final test at 25°C

Parameters	Test Conditions / Pin	Symbol	Min.	Typ.	Max.	Unit
DC supply						
Supply voltages VS#	V _{VS1} = V _{VS2} = V _{VS3}	V _{VS#}	2.7		5.5	V
Supply voltage VSP		V _{VSP}	V _{VS#} - 0.3		5.5	V
Supply current I _{VS1}	Active (V _{PU} = VS)	I _{VS1A}		13	21	mA
	Standby (V _{PU} = 0)	I _{VS1Y}			20	μA
Supply current I _{VS2}	Active (V _{PU} = VS)	I _{VS2A}		14	22	mA
	Standby (V _{PU} = 0)	I _{VS2Y}			20	μA
Supply current I _{VS3}	Active (V _{PUMIX} = VS)	I _{VS3A}		11	17	mA
	Standby (V _{PUMIX} = 0)	I _{VS3Y}			30	μA
Supply current I _{VSP} ¹⁾	Active (V _{PU} = VS, CPO open)	I _{VSPA}		2.2	2.8	mA
	Standby (V _{PU} = 0)	I _{VSPY}			20	μA
N & R divider inputs ND, NND & RD, NRD						
N:1 divider frequency	50-Ω source	f _{ND}	100		600	MHz
R:1 divider frequency	50-Ω source	f _{RD}	100		600	MHz
Input impedance	Active & standby	Z _{RD} , Z _{ND}	see figure 11			
Input sensitivity (differential)	50-Ω source	V _{RD} , V _{ND}	10 ²⁾		200	mV _{rms}
Input capacitance	Active & standby	C _{RD} , C _{ND}			0.5	pF

Electrical Characteristics (continued)

$V_S = 2.7$ to 5.5 V, $T_{amb} = -20^\circ\text{C}$ to $+85^\circ\text{C}$, final test at 25°C

Parameters	Test Conditions / Pin	Symbol	Min.	Typ.	Max.	Unit
Phase-frequency detector (PFD)						
PFD operation	$f_{ND} = 600$ MHz, $N = 2$ $f_{RD} = 600$ MHz, $R = 2$	f_{PFD}	50		300	MHz
Frequency comparison only ⁴⁾	$f_{ND} = 600$ MHz, $N = 2$ $f_{RD} = 450$ MHz, $R = 2$	f_{FD}			400	MHz
I/Q modulator baseband inputs I, NI & Q, NQ						
DC voltage	Referred to GND	V_I, V_{NI}, V_Q, V_{NQ}	1.35	$V_{S1/2}$	$V_{S1/2} + 0.1$	V
MD_IQ	Frequency range	f_{IO}	0		1	MHz
AC voltage ⁵⁾	Referred to GND	$AC_I, AC_{NI}, AC_Q, AC_{NQ}$		200		mV _{pp}
AC voltage	Differential (preferres)	AC_{DI}, AC_{DQ}		400		mV _{pp}
I/Q modulator LO input MDLO						
MDLO	Frequency range	f_{MDLO}	100		900	MHz
Input impedance ^{5a)}	@ 900 MHz active & standby	Z_{MDLO}		540 1.5		ΩpF
Input level	50- Ω source	P_{MDLO}	-20	-10	-5	dBm
I/Q modulator outputs MDO, NMDO						
DC current	$V_{MDO}, V_{NMDO} = V_S$	I_{MDO}, I_{NMDO}		0.8		mA
Internal pull-up resistor		R_{MDO}, R_{NMDO}		615		Ω
Voltage compliance	$V_{MDO}, V_{NMDO} = V_C$	V_{CMDO}, V_{CNMDO}	$V_S - 0.7$		5.5	V
MDO output level (differential)	615 Ω to V_S ⁶⁾ 1.5 pF external load Mode 2 Mode 1 and 3	P_{MDO} P_{MDO}	113 57		170 85	mV _{pp} mV _{pp}
Carrier suppression ⁶⁾	Measured differential Pins 7 and 8	CS_{MDO}	-32	-35		dBc
Sideband suppression ⁶⁾	Measured differential Pins 7 and 8	SS_{MDO}	-35	-40		dBc
IF spurious ⁶⁾	$f_{LO} \pm 3 \times f_{mod}$	SP_{MDO}		-50	-45	dBc
Noise ⁶⁾	@ 400 kHz off carrier	N_{MDO}			-115	dBc/Hz
Frequency range		f_{MDO}	100		450	MHz
Mixer (900 MHz)						
RF input level	900 MHz	P_{9RF}	-23		-17	dBm
Output resistance		R_{MIXO}, R_{NMIXO}		650		Ω
LO spurious at RF/NRF port	@ $P_{9MIXLO} = -10$ dBm @ $P_{9RF} = -15$ dBm	SP_{9RF}			-40	dBm
MIXLO input level	0.05 to 2 GHz	P_{9MIXLO}	-22		-12	dBm
MIXO	Frequency range	f_{MIXO}	50		450	MHz
Output level ⁷⁾ differential	@ $P_{9MIXLO} = -15$ dBm IF = 200 MHz IF = 400 MHz	P_{9MIXO} P_{9MIXO}		226 113		mV _{pp} mV _{pp}
Carrier suppression	@ $P_{9MIXLO} = -15$ dBm	CS_{9MIXO}	-20			dBc

Electrical Characteristics (continued)

$V_S = 2.7$ to 5.5 V, $T_{amb} = -20^\circ\text{C}$ to $+85^\circ\text{C}$, final test at 25°C

Parameters	Test Conditions / Pin	Symbol	Min.	Typ.	Max.	Unit
Mixer (1900 MHz)						
Output resistance		R_{MIXO}, R_{NMIXO}		650		Ω
RF input level	0.5 to 2 GHz	P_{19RF}	-23		-17	dBm
LO spurious at RF/NRF ports	@ $P_{19MIXLO} = -10$ dBm @ $P_{19RF} = -15$ dBm	SP_{19RF}			-40	dBm
MIXLO input level	0.05 to 2 GHz	$P_{19MIXLO}$	-22		-12	dBm
MIXO						
Output level ⁸⁾ differential	@ $P_{19MIXLO} = -17$ dBm IF = 200 MHz IF = 400 MHz	P_{19MIXO} P_{19MIXO}		226 113		mV _{pp} mV _{pp}
Carrier suppression	@ $P_{19MIXLO} = -17$ dBm	CS_{19MIXO}	-20			dBc
Charge-pump output CPO ($V_{VSP} = 5$ V; $V_{CPO} = 2.5$ V)						
Pump-current pulse	R_{CPCH} ⁹⁾ = 2.4 k Ω	$ I_{CPO_H} $	3.0	4.0	5.0	mA
	R_{CPCL} ¹⁰⁾ = 4.7 k Ω	$ I_{CPO_L} $	1.4	2.0	2.6	mA
Sensitivity to V_{VSP}	$\frac{ \Delta I_{CPO} }{I_{CPO}} \bigg/ \frac{ \Delta V_{VSP} }{V_{VSP}}$	S_{ICPO}			0.1	-
V_{CPO} voltage range	$ I_{CPO} $ degradation < 10% ($V_{VSP} = 2.7$ V to 5 V)	V_{CPO}	0.5		$V_{VSP}-0.6$	V
Mode control						
Mode 3	$V_{MC} < 0.5$ V	I_{MC}		-30	-200	μA
Mode 2	$V_{MC} = V_S - 1$ V	I_{MC}		10	20	μA
Mode 1	$V_{MC} = V_S$	I_{MC}		10	20	μA
Power-up input PU (power-up for all functions, except mixer)						
Settling time	Output power within 10% of steady state values	S_{PU}		5	10	μs
High level	Active	V_{PUH}	2.0			V
Low level	Standby	V_{PUL}	0		0.4	V
High-level current	Active, $V_{PUH} = 2.2$ V	I_{PUH}			70	μA
Low-level current	Standby, $V_{PUL} = 0.4$ V	I_{PUL}	-1		20	μA
Power-up input PUMIX (power-up for mixer only)						
Settling time	Output power within 10% of steady state values	t_{setl}		5	10	μs
High level	Active	V_{PUMIXH}	2.0			V
Low level	Standby	V_{PUMIXL}	0		0.4	V
High-level current	Active, $V_{PUMIXH} = 2.2$ V	I_{PUMIXH}	0.1		70	μA
Low-level current	Standby, $V_{PUMIXL} = 0.4$ V	I_{PUMIXL}	-1		20	μA

- 1) Mean value, measured with $F_{ND} = 151$ MHz, $F_{RD} = 150$ MHz, current vs. time, figure 3
- 2) For optimized noise performance this voltage level may be higher
- 4) PFD can be used as a frequency comparator up to 300 MHz for loop acquisition
- 5) Single-ended operation (complementary baseband input is AC-grounded) leads to reduced linearity (degrading suppression of odd harmonics)
- 5a) For all 3 active modes and standby, measured at Pin 3 at 900 MHz with Pin 4 AC grounded
- 6) I/Q baseband input: differential sin and cos signals with 200 mV amplitude (400 mV_{pp}) and 100 kHz frequency from a low-ohmic source (< 1 k Ω). MDLO drive power is -10 dBm, available power from a 50- Ω generator.

No DC offset between I and NI (or Q and NQ) is allowed and no amplitude differences between I/NI and Q/NQ. For nonideal IQ-input signals an application note is available on request.

- 7) At 1 dB input compression point (-17 dBm) and output loaded with $C = 1.5 \text{ pF}$ to GND
- 8) - 1 dB compression point $C = 1.5 \text{ pF}$ to GND
- 9) R_{CPCH} : external resistor to GND for charge-pump current control (MODE 3 only Pin 14 active)
- 10) R_{CPCL} : external resistor to GND for charge-pump current control (MODE 1 and 2 only Pin 13 active)

Supply Current of the Charge Pump I_{VSP} vs. Time

Due to the pulsed operation of the charge pump, the current into the charge-pump supply Pin VSP is not constant. Depending on I (see figure 6) and the phase difference at the phase-detector inputs, the current I_{VSP} over time varies. Basically, the total current is the sum of the quiescent current, the charge-/discharge current, and - after each phase comparison cycle - a current spike (see figure 3).

Table 2. Internal current $|I_{CPC}|$ vs. R_{CPC} (typical values)

R_{CPC}	$ I_{CPCO} $
19.2 k Ω	0.5 mA
9.6 k Ω	1 mA
4.8 k Ω	2 mA
2.4 k Ω	4 mA

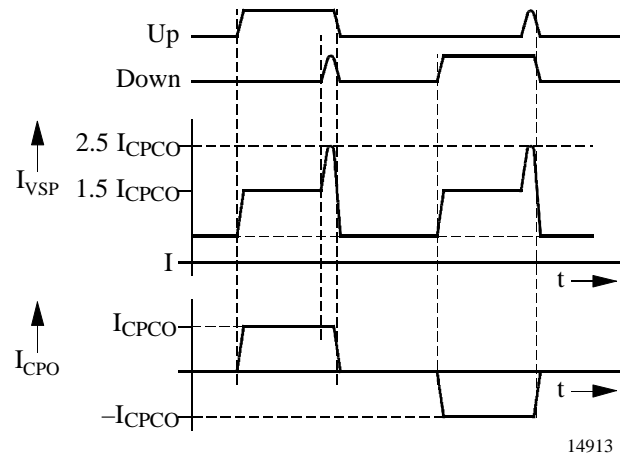


Figure 3. Supply current of the charge pump

Mode Selection

The device can be programmed to different modes via an external resistor R_{MODE} (including short, open) from Pin MC to VS2. The mode is distinguished from specific N-, R-divider ratios, and the polarity of the charge-pump selection.

Table 3. Mode selection

Mode Selection ¹⁾		Divider			CPO Current Polarity		Application	CPCH Active	CPCL Active
		N	R	M	$f_n < f_R$ ²⁾	$f_n > f_R$			
1	$VMC = VS2 + 0 \text{ V} / - 0.2 \text{ V}$	1:2	1:2	1:2	Source	Sink	GSM1900		x
2	$VMC = (VS2 - 1 \text{ V}) / + - 0.2 \text{ V}$	1:2	1:2	1:4	Source	Sink	GSM1800		x
3	$VMC < 0.5 \text{ V}$	1:2	1:2	1:2	Sink	Source	GSM900	x	

- 1) See figure 13
- 2) Frequencies referred to PDF input

Equivalent Circuits at the IC's Pins

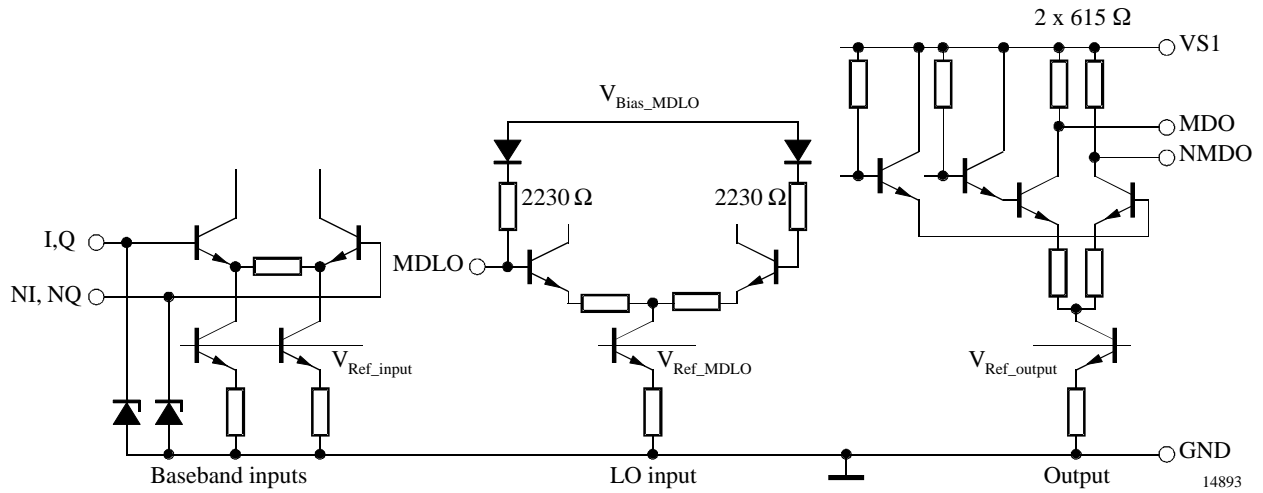


Figure 4. I/Q modulator

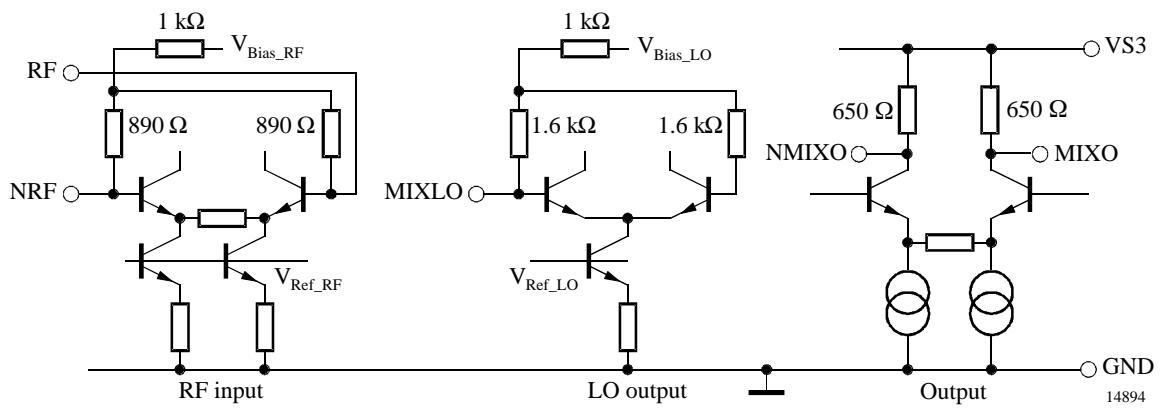


Figure 5. Mixer

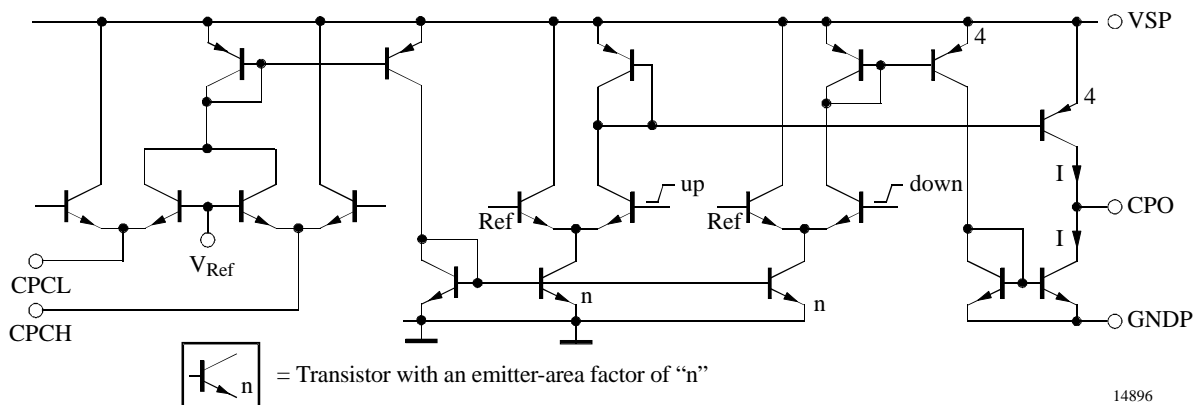


Figure 6. Charge pump

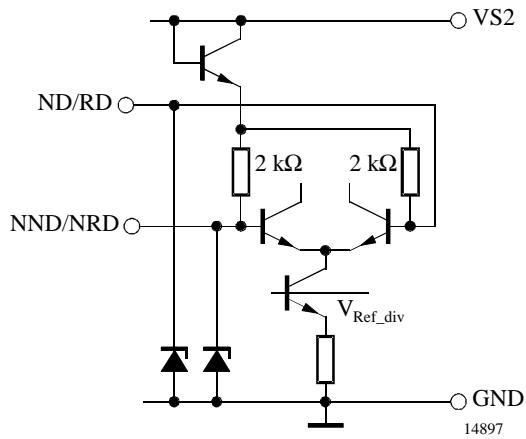


Figure 7. Dividers

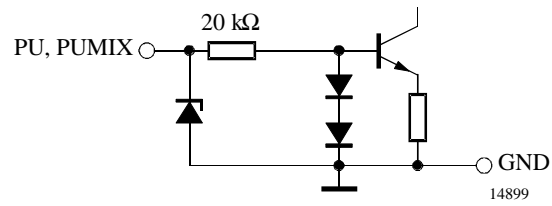
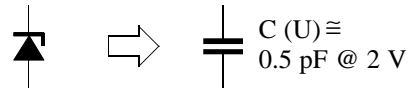


Figure 9. Power-up



$C(U)$ is a non-linear junction capacitance

14900

Figure 10. ESD-protection diodes

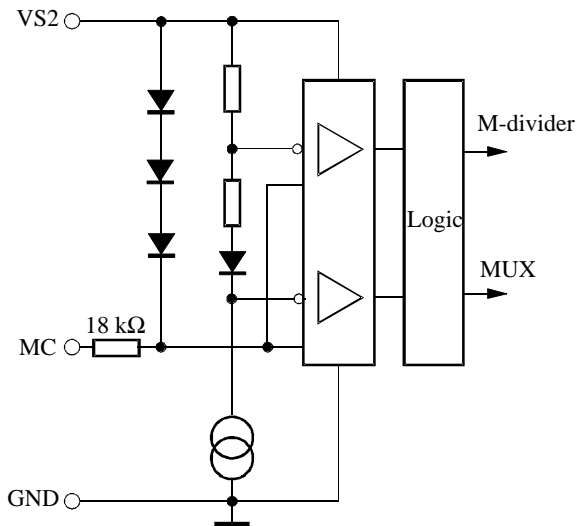
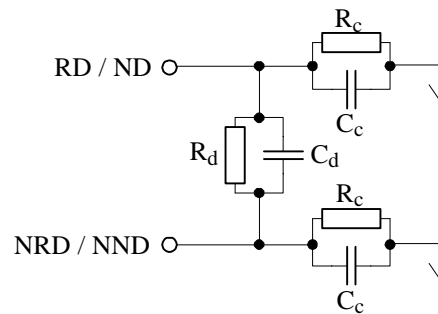


Figure 8. Mode control



$$C_c = 0.6 \text{ pF} \quad R_c = 4.5 \text{ k} / [1 + (f \text{ (MHz)} / 600)^3]$$

$$C_d = 1.3 \text{ pF} \quad R_d = 7.0 \text{ k} / [1 + (f \text{ (MHz)} / 600)^3]$$

Model valid up to 1.5 GHz

Figure 11. Small signal equivalent circuit for the R- and N-dividers (Pins 15/16 and 21/22)

Application Hints

Interfacing

For some baseband ICs it may be necessary to reduce the I/Q voltage swing so that it can be handled by the U2896B. In those cases, the following circuitry can be used.

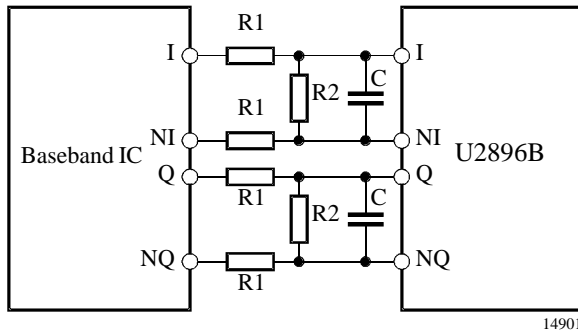


Figure 12. Interfacing the U2896B to I/Q baseband circuits

Due to a possible current offset in the differential baseband inputs of the U2896B the best values for the carrier suppression of the I/Q modulator can be achieved with voltage driven I/NI-, and Q/NQ-inputs. A value of $R_{source} = R_2/2$ parallel to R_S should be realized that is below 1.5 k Ω . R_S is the sum of R1 (above drawing) and the output resistance of the baseband IC. This results in $R_{source} = (R_2 \times R_S) / (2 R_S + R_2)$.

Charge-Pump Blocking (Optional)

A capacitor of 100 pF – 1 nF may be connected between CSU (charge-pump supply) and CGNDP (internal GND of charge pump).

Precharge (Optional)

By applying a “high” signal to PCH (Pin 20) the loop filter at CPO is precharged to approximately $V_{Supply} / 2$.

Mode Control

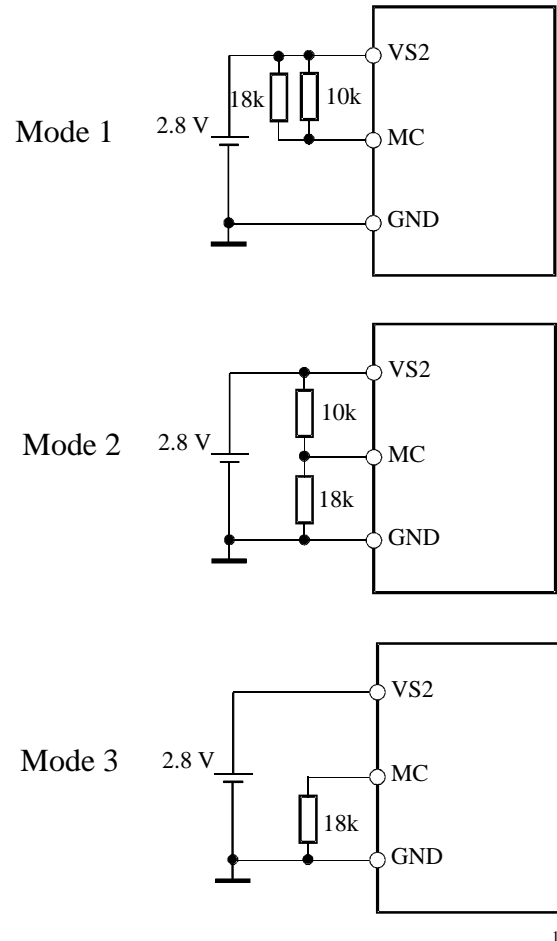


Figure 13. Application examples for programming different modes

Test Circuit

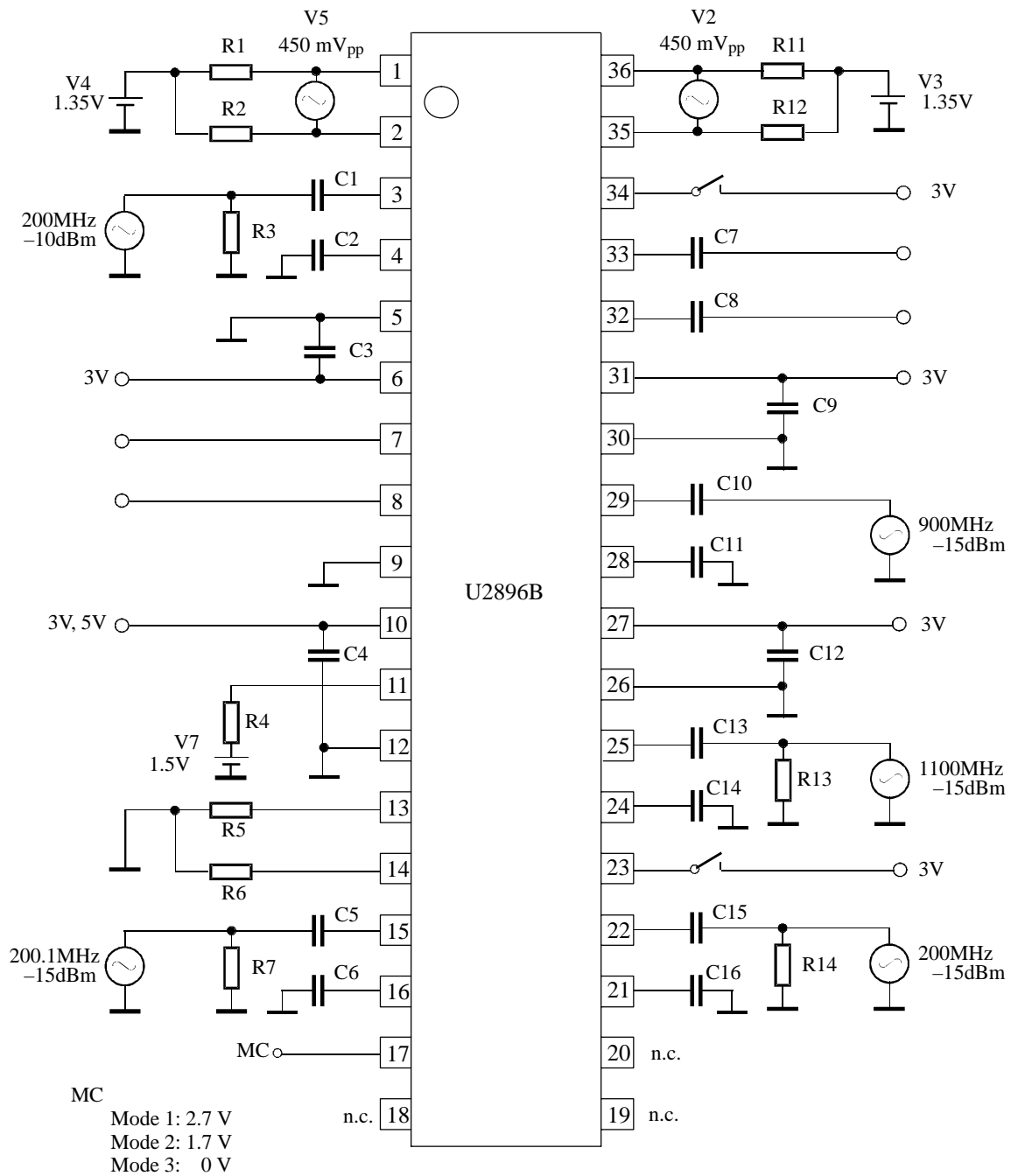
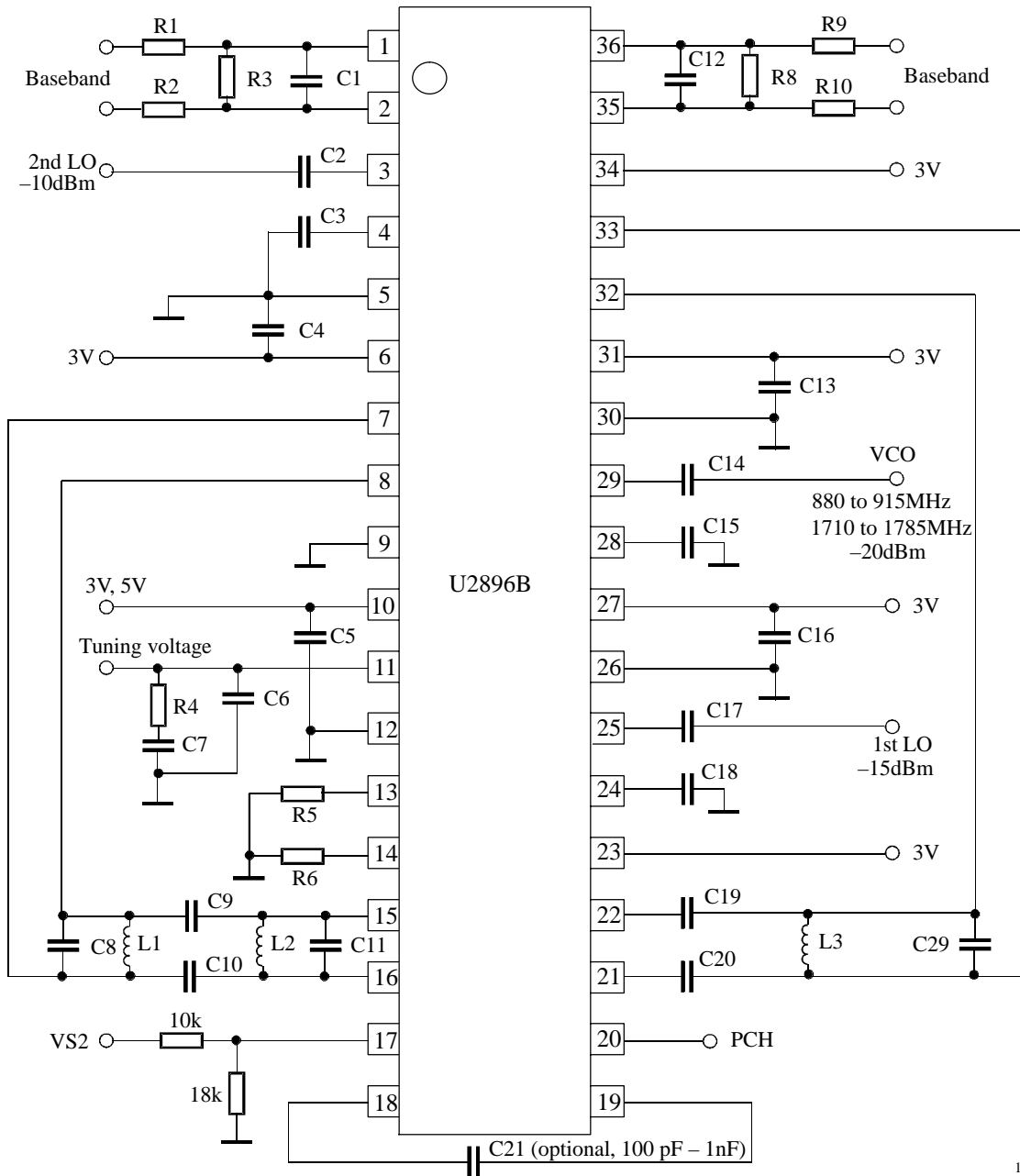


Figure 14. Test circuit

Application Circuit for DCS1800 (1710 – 1785 MHz)



14904

Figure 15. Application circuit

Measurements

Modulation-Loop Settling Time

As valid for all PLL loops, the settling time depends on several factors. Figure 16 is an extraction from measurements performed in an arrangement like the application circuit. It shows that a loop settling time of a few μ s can be achieved.

Modulation Spectrum & Phase Error

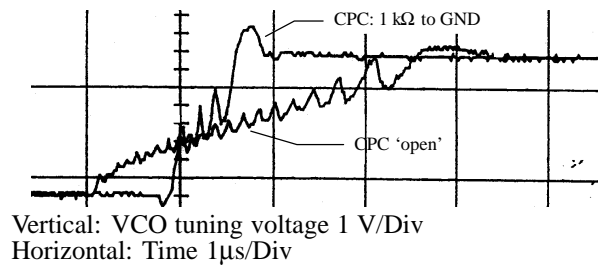
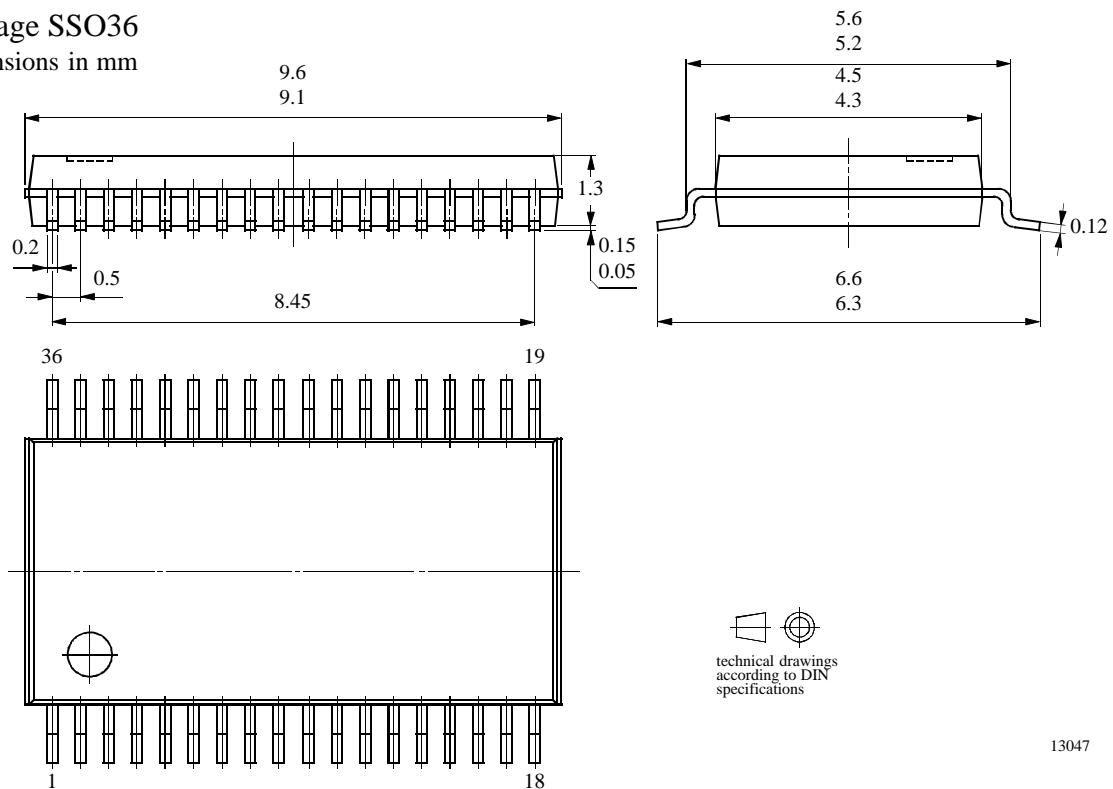


Figure 16.

Package Information

Package SSO36

Dimensions in mm



13047

Ozone Depleting Substances Policy Statement

It is the policy of **TEMIC Semiconductor GmbH** to

1. Meet all present and future national and international statutory requirements.
2. Regularly and continuously improve the performance of our products, processes, distribution and operating systems with respect to their impact on the health and safety of our employees and the public, as well as their impact on the environment.

It is particular concern to control or eliminate releases of those substances into the atmosphere which are known as ozone depleting substances (ODSs).

The Montreal Protocol (1987) and its London Amendments (1990) intend to severely restrict the use of ODSs and forbid their use within the next ten years. Various national and international initiatives are pressing for an earlier ban on these substances.

TEMIC Semiconductor GmbH has been able to use its policy of continuous improvements to eliminate the use of ODSs listed in the following documents.

1. Annex A, B and list of transitional substances of the Montreal Protocol and the London Amendments respectively
2. Class I and II ozone depleting substances in the Clean Air Act Amendments of 1990 by the Environmental Protection Agency (EPA) in the USA
3. Council Decision 88/540/EEC and 91/690/EEC Annex A, B and C (transitional substances) respectively.

TEMIC Semiconductor GmbH can certify that our semiconductors are not manufactured with ozone depleting substances and do not contain such substances.

We reserve the right to make changes to improve technical design and may do so without further notice.

Parameters can vary in different applications. All operating parameters must be validated for each customer application by the customer. Should the buyer use TEMIC Semiconductors products for any unintended or unauthorized application, the buyer shall indemnify TEMIC Semiconductors against all claims, costs, damages, and expenses, arising out of, directly or indirectly, any claim of personal damage, injury or death associated with such unintended or unauthorized use.

Data sheets can also be retrieved from the Internet: <http://www.temic-semi.com>

TEMIC Semiconductor GmbH, P.O.B. 3535, D-74025 Heilbronn, Germany
Telephone: 49 (0)7131 67 2594, Fax number: 49 (0)7131 67 2423