

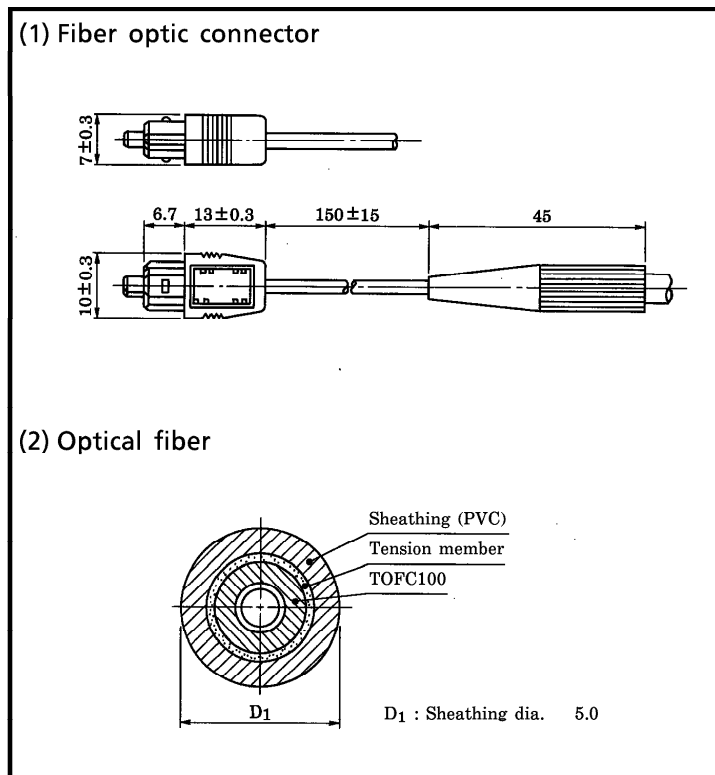
OPTICAL FIBER WITH FIBER OPTIC CONNECTORS

**TOCP155P-□□B**

ALL PLASTIC FIBER  
WITH FIBER OPTIC CONNECTORS

Unit in mm

- Conform to JIS F05 type
- Simplex type
- APF (980 / 1000 $\mu$ m)
- Reinforced type



1. Maximum Ratings (Ta = 25°C)

ITEM	SYMBOL	RATINGS	UNIT
Storage Temperature	T <sub>stg</sub>	-40 to 70	°C
Operating Temperature	T <sub>opr</sub>	-20 to 70	°C
Tension	Between Fiber and Connector	T <sub>CF</sub>	19.6 N
	Optical Fiber <sup>(1)</sup>	T <sub>F</sub>	196 N
Bending Radius <sup>(1)</sup>	r	Min. 40	mm

Note <sup>(1)</sup> Value for optical cable.

961001EAA2

● TOSHIBA is continually working to improve the quality and the reliability of its products. Nevertheless, semiconductor devices in general can malfunction or fail due to their inherent electrical sensitivity and vulnerability to physical stress. It is the responsibility of the buyer, when utilizing TOSHIBA products, to observe standards of safety, and to avoid situations in which a malfunction or failure of a TOSHIBA product could cause loss of human life, bodily injury or damage to property. In developing your designs, please ensure that TOSHIBA products are used within specified operating ranges as set forth in the most recent products specifications. Also, please keep in mind the precautions and conditions set forth in the TOSHIBA Semiconductor Reliability Handbook.

● The information contained herein is presented only as a guide for the applications of our products. No responsibility is assumed by TOSHIBA CORPORATION for any infringements of intellectual property or other rights of the third parties which may result from its use. No license is granted by implication or otherwise under any intellectual property or other rights of TOSHIBA CORPORATION or others.

● The information contained herein is subject to change without notice.

2. Optical Characteristics (Ta = 25°C)

ITEM	SYMBOL	CONDITIONS	MIN.	TYP.	MAX.	UNIT
Transmission Loss		$\lambda_p = 650\text{nm}$ , Measured by fiber length 50m	—	220	240	dB / km

3. Precautions for Operation

- (1) The maximum ratings are the limit values which should not be exceeded when using this product. All of these values must be within the defined range. If the maximum ratings, are exceeded the deviced characteristics may not be recoverable and, in extreme cases, permanent damage to the product may result.  
Care should be taken not to exceed the maximum ratings when using this product.
- (2) Care should be taken not to drop heavy objects onto the optical fiber cables.
- (3) When connecting or disconnecting the optical fiber with fiber optic connector, be sure to hold the fiber optic connector. Do not hold the optical fiber cable when connecting or disconnecting.
- (4) When inserting the fiber optic connector into the fiber optic transmitting /receiving module, be sure to follow the correct fitting alignment.
- (5) Keep the end face of the optical fiber with fiber optic connector clean. If contaminated, wipe it gently with tissue paper.
- (6) When bending the optical fiber cable to install it, note that the recommended bending radius is six to ten times longer than the minimum bending radius.
- (7) -□□ indicates the length and the unit of length of the optical fiber of the optical fiber with fiber optic connector or optical fiber products. The length of the optical fiber is the distance from one end of fiber optic connector to the other end. The minimum fiber length is 1m.

EX. TOCP155P-10MB

