

Read/Write Transponder

Description

The TK5552 is a complete programmable R/W transponder which implements all important functions for identification systems. It allows the contactless reading (uplink) and writing (downlink) of data which are transmitted bidirectionally between a read/write basestation and the transponder. It is a plastic-cube device which accomodates the IDIC[®]*) Transponder IC and also the antenna realized as an LC-circuit. No additional external power supply is necessary for the transponder because it receives power from the RF field generated by

the base station. Data are transmitted by modulating the amplitude of the RF field (uplink mode). The TK5552 can be used to adjust and modify the ID-code or any other stored data, e.g. rolling code systems. The on-chip 1056-Bit EEPROM (32 blocks, 33 bits per block) can be read (uplink) and written (downlink) blockwise from the base station. The blocks can be protected against overwriting. One block is reserved for setting the operation modes of the IC.

Features

- Contactless read/write data transmission
- 992-bit EEPROM user programmable in 31 blocks × 32 bits
- Inductive coupled power supply at 125 kHz
- Basic component: R/W IDIC[®] Transponder IC
- Built-in coil and capacitor for circuit antenna
- Starts with cyclical data read out
- Typical < 50 ms to write and verify a block
- Modulation defeat (for EAS)
- Direct access to each block
- Configurable POR delay
- Write protection by lock bits
- Malprogramming protection
- Configurable options:

Bitrate [bit/s]:	RF/16 and RF/32
Modulation:	Manchester
POR delay:	1 ms / 65 ms
Max. block:	0, 1, 1 to 2, 1 to 3, 1 to 4, 1 to 31

Application

- Industrial asset management
- Process control and automation
- Installation and medical equipment

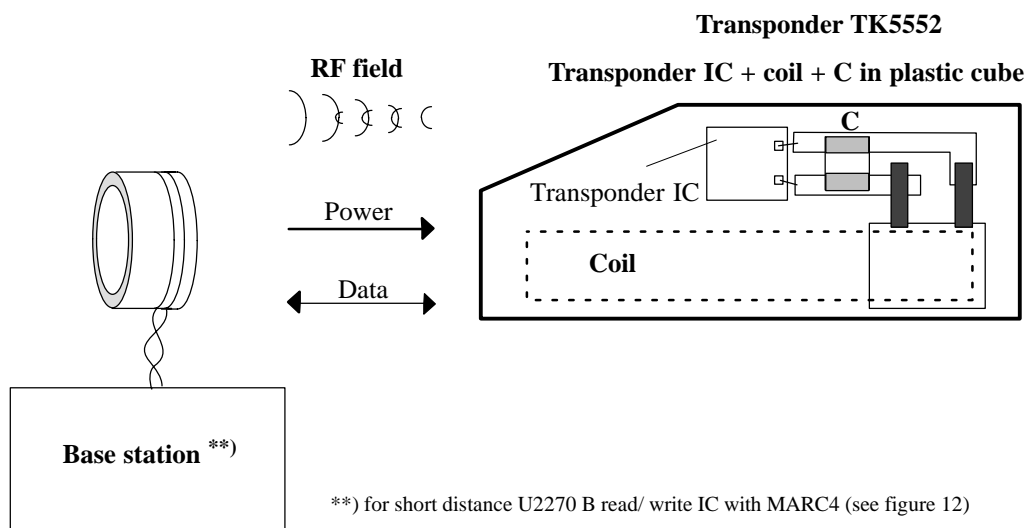


Figure 1. Transponder and base station

*) IDIC[®] stands for **ID**entification **I**ntegrated **C**ircuit and is a trademark of Atmel Wireless & Microcontrollers.

Ordering Information

Extended Type Number	Package	Remarks
TK5552A-PP	Plastic cube	All kind of modulation; RF/16 and RF/32 *) Default programmed: Manchester Modulation, RF/16, MAXBLK = 1 to 31

*) see data sheet Transponder IC in the appendix

General

The transponder is the mobile part of the closed coupled identification system (see figure 1), whereas the read/ write base station is basing on the U2270B or other solutions, and the read/ write transponder is basing on the IDIC[®] Transponder IC.

The transponder is a plastic-cube device consisting of following parts:

- The transponder antenna, realized as tuned LC-circuit
- Read/ write IDIC[®] (Transponder IC) with EEPROM

The Transponder Antenna

The antenna consists of a coil and a capacitor for tuning the circuit to the nominal carrier frequency of 125 kHz. The coil has a ferrite core for improving the distance of read (uplink) and write (downlink) operations.

The Read/ Write IDIC[®]

The read/ write IDIC[®] Transponder IC is part of the transponder TK5552. The data are transmitted bidirectionally between the base station and the transponder. The transponder receives power via a single coil from the RF signal generated by the base station. The single coil is connected to the chip and also serves as the IC's bidirectional communication interface.

Data are transmitted by modulating the amplitude of the RF signal. Reading (uplink) occurs by damping the coil by an internal load. Writing (downlink) occurs by interrupting the RF field in a specific way. The TK5552 transponder operates at a nominal frequency of 125 kHz. There are different bit rates and encoding schemes.

The on-chip 1056-bit EEPROM (32 block, 33 bits each) can be read (uplink) and written (downlink) blockwise from the base station. The blocks can be protected against overwriting by using lock bits. One block is reserved for setting the operation modes of the IC.

See Transponder IC data sheet in the appendix for more detailed information of IDIC[®].

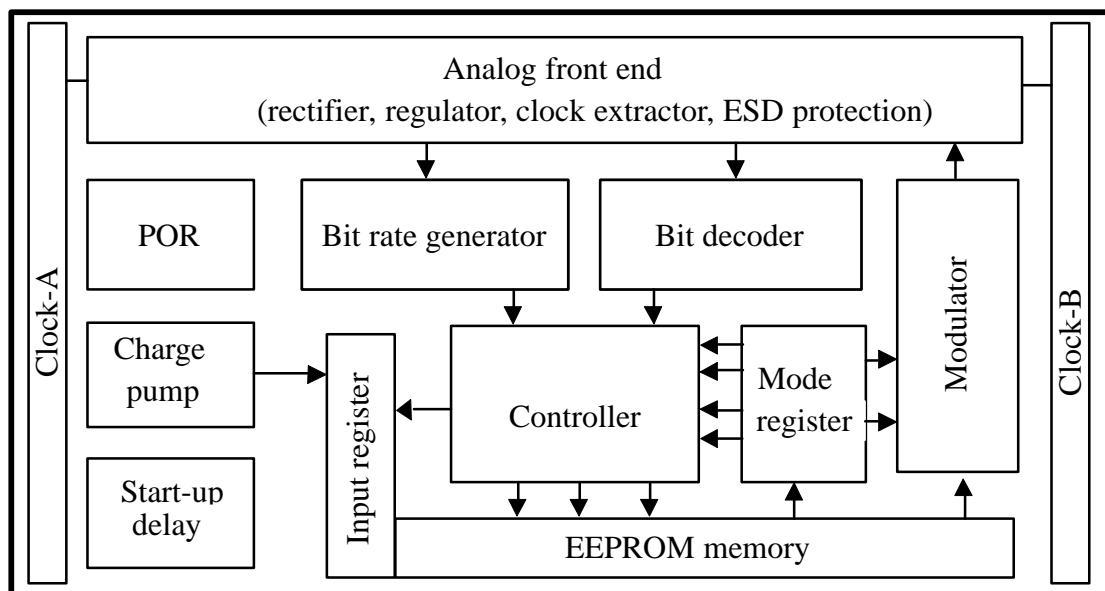


Figure 2. Block diagram Transponder IC

Absolute Maximum Ratings

Parameters	Symbol	Value	Unit
Operating temperature range	T_{amb}	-25 to +75	°C
Storage temperature range	T_{stg}	-40 to +125	°C
Maximum assembly temperature, $t < 5$ min.	T_{ass}	170	°C
Magnetic field strength at 125 kHz	H_{pp}	1000	A/m

Operating Characteristics Transponder

$T_{amb} = 25^{\circ}\text{C}$, $f = 125$ kHz Rf/32 and Manchester if not otherwise noted

Parameters	Test Conditions	Symbol	Min.	Typ.	Max.	Unit
Inductance		L		4		mH
Resonance frequency	LC circuit, $H_{pp} = 12$ A/m	f_r	119	125	131	kHz

Magnetic field strength (H)

Parameters	Test Conditions	Symbol	Min.	Typ.	Max.	Unit
Max. field strength where tag does not modulate	No influence to other tags in the field	H_{pp} not		4		A/m
Minimum field strength						
Uplink/ downlink mode		H_{pp} 25		12		A/m
Programming mode		H_{pp} 25		18		A/m
Data retention EEPROM		$t_{retention}$	10			Years
Programming cycles EEPROM			100,000			
Maximum field strength		H_{pp} max			600	A/m

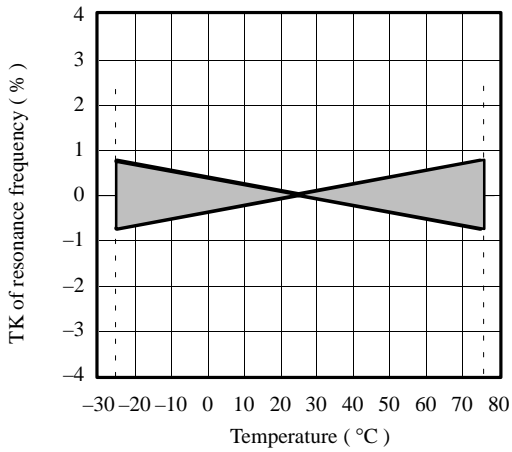


Figure 3. Typical TK-range of resonance frequency

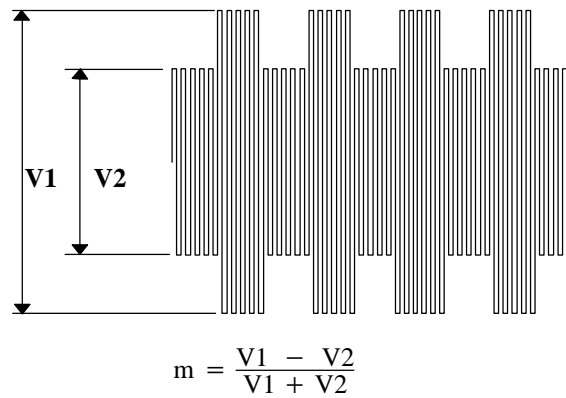


Figure 4. Degree of modulation measurement

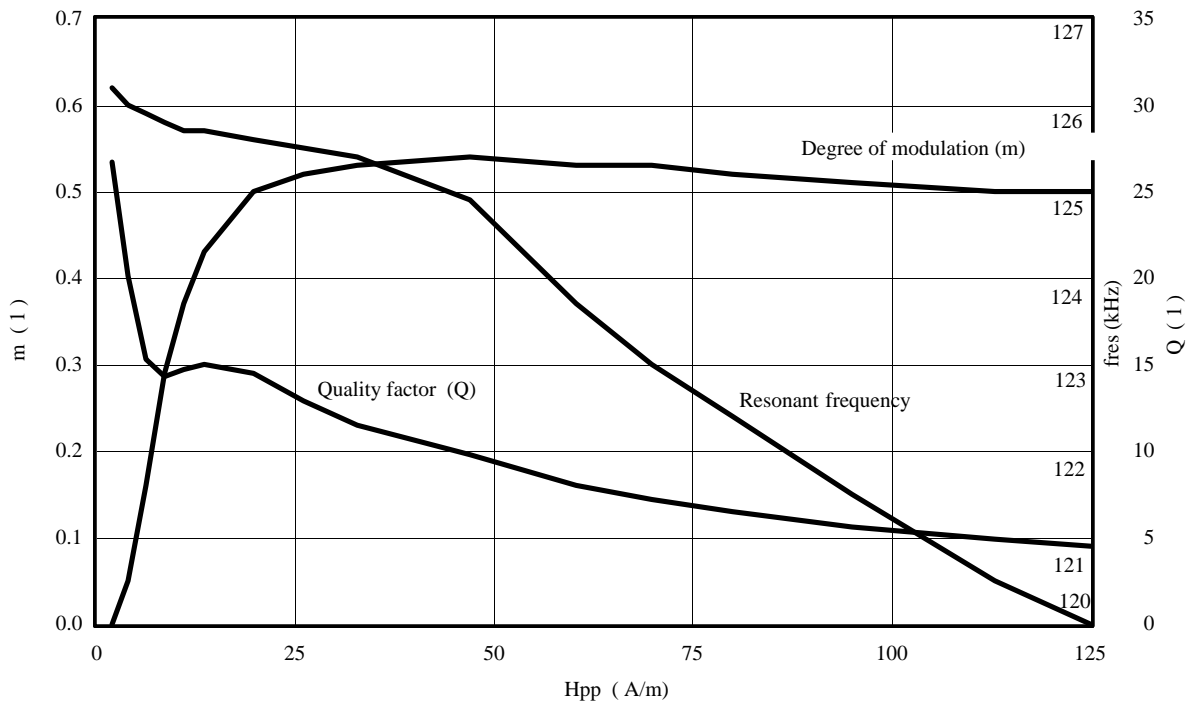


Figure 5. Typical behaviour of resonant frequency, degree of modulation and quality factor versus field strength (by Rf/ 32, Manchester)

Measurement Assembly

All parameters are measured in a Helmholtz-arrangement, which generates a homogenous magnetic field (see figure 6 and 7). A function generator drives the field

generating coils, so the magnetic field can be varied in frequency and field strength.

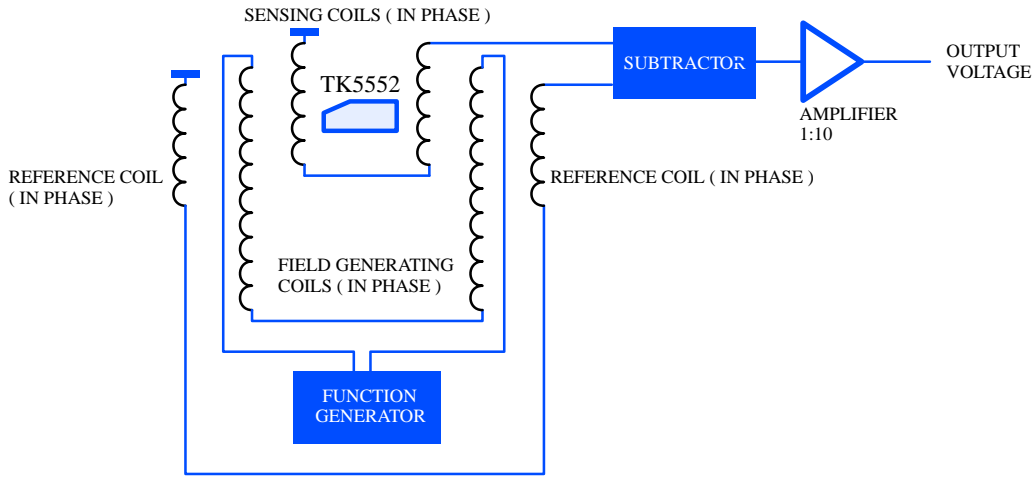


Figure 6. Testing application

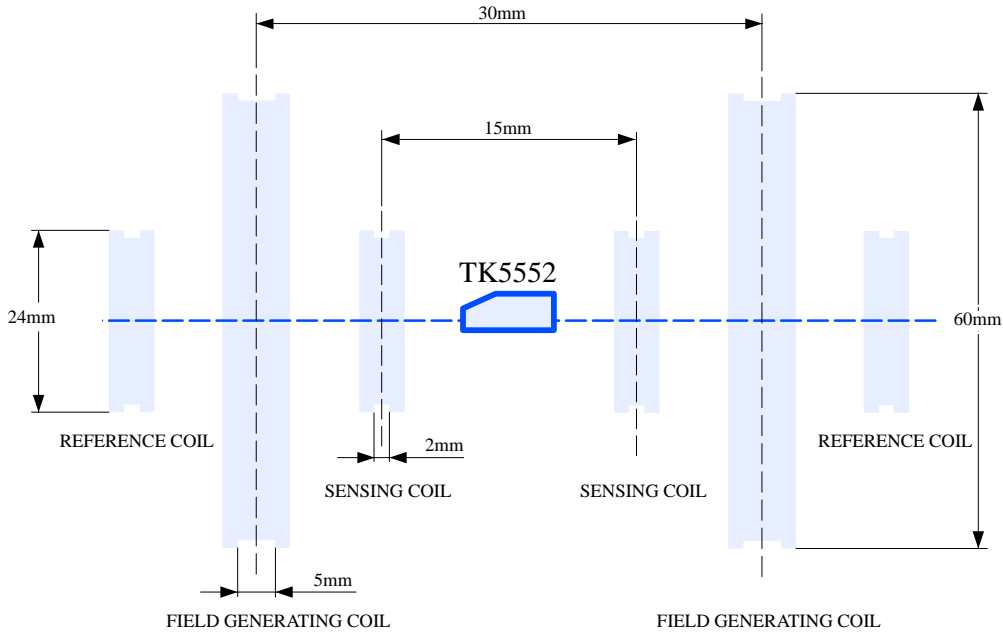


Figure 7. Testing geometry

Downlink Operation

The write sequence (downlink mode) of the TK5552 is shown below. Writing data into the transponder occurs by interrupting the RF field with short gaps. After the start gap the standard OP-code (11) is followed by the lockbit (0).

The next 32 bits contain the actual data. The last 5 bits denote the destination block address. If the correct number of bits have been received, the actual data is programmed into the specified memory block.

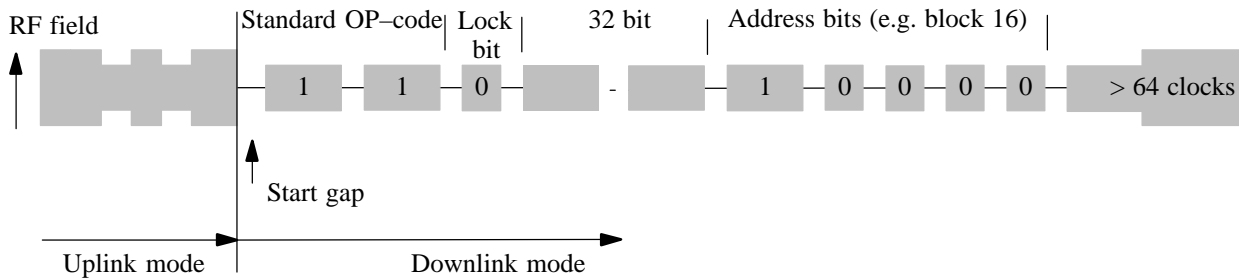


Figure 8. Downlink protocol

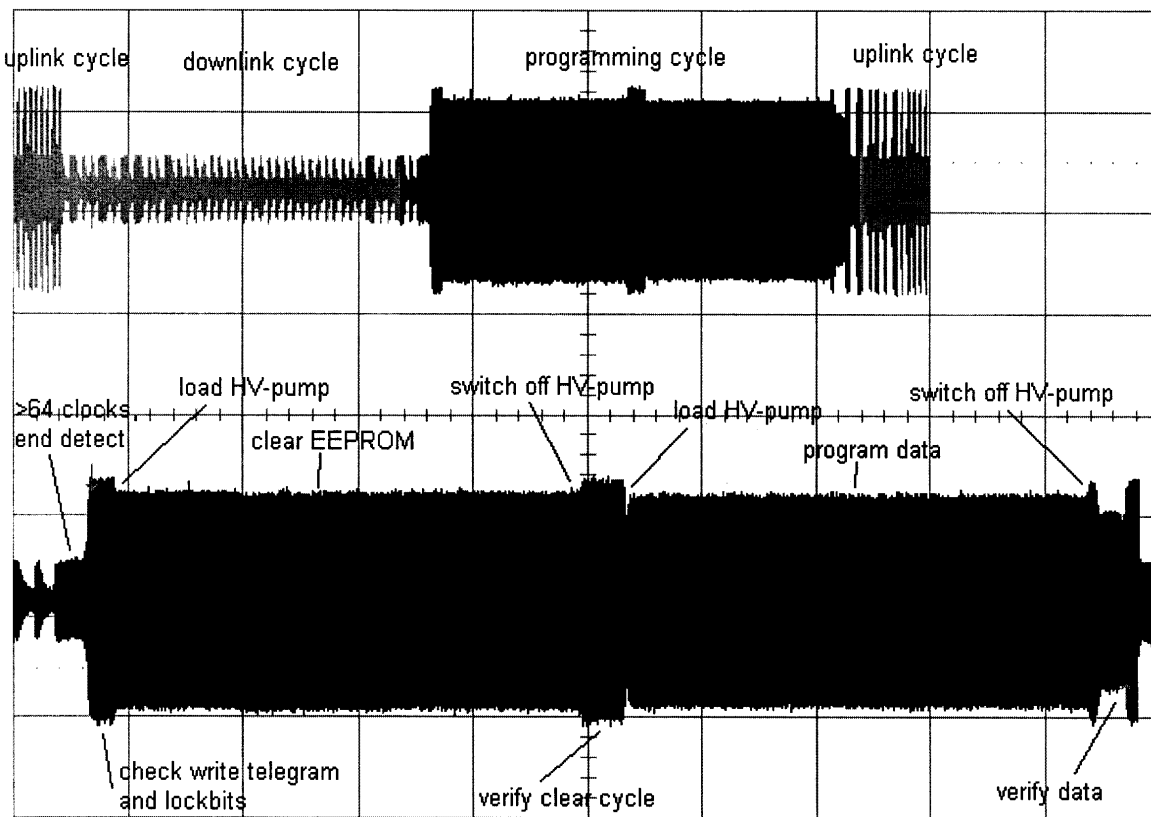
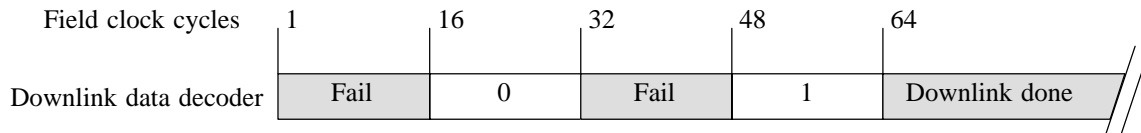


Figure 9. Explanation of the programming cycle

Downlink Data Decoding

The time elapsing between two detected gaps is used to encode the information. As soon as a gap is detected, a counter starts counting the number of field clock cycles until the next gap will be detected. Depending on how many field clocks elapse, the data is regarded as '0' or '1'. The required number of field clocks is shown in figure 10.

A valid '0' is assumed if the number of counted clock periods is between 16 and 32, for a valid '1' it is 48 or 64 respectively. If the data transmission was correct, programming is started and in case of success the written block is cycling his data back to the base station until POR.



12445

Figure 10. Downlink data decoding scheme

Behavior of the Real Device

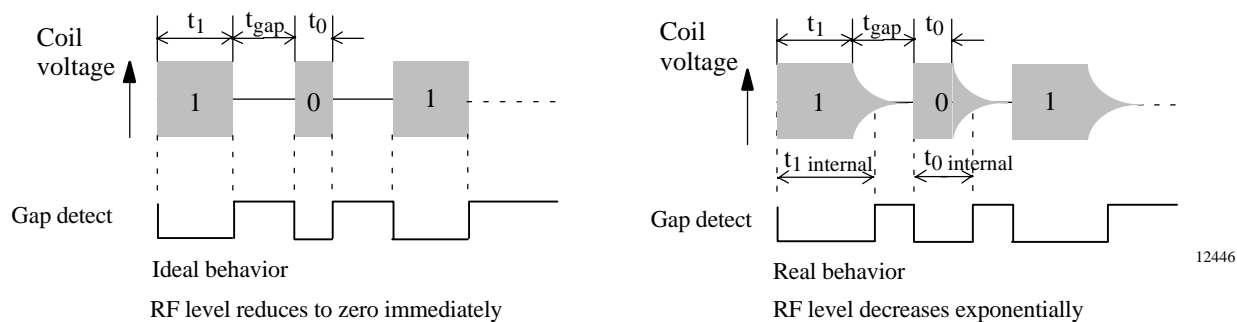
The TK5552 detects a gap if the voltage across the coils decreases below a threshold value of an internal MOS transistor. Until then, the clock pulses are counted. The number given for a valid '0' or '1' (see figure 10) refers to the actual clock pulses counted by the device. However, there are always more clock pulses being counted than were applied by the base station. The reason for this is the fact that an RF field cannot be switched off immediately. The coil voltage decreases exponentially. So although the RF field coming from the base station is switched off, it takes some time until the voltage across the coils reaches the threshold value of an internal MOS transistor and the device detects the gap.

Referring to the following diagram (figure 11), this means that the device uses the times $t_{0\text{internal}}$ and $t_{1\text{internal}}$. The exact times for t_0 and t_1 are dependent on the application (e.g., field strength, etc.)

Typical time frames are:

$$\begin{aligned} t_0 &= 70 \text{ to } 150 \mu\text{s} \\ t_1 &= 300 \text{ to } 400 \mu\text{s} \\ t_{\text{gap}} &= 180 \text{ to } 400 \mu\text{s} \end{aligned}$$

Antennas with a high Q-factor require longer times for t_{gap} and shorter time values for t_0 and t_1 .



12446

Figure 11. Ideal and real behavior signals

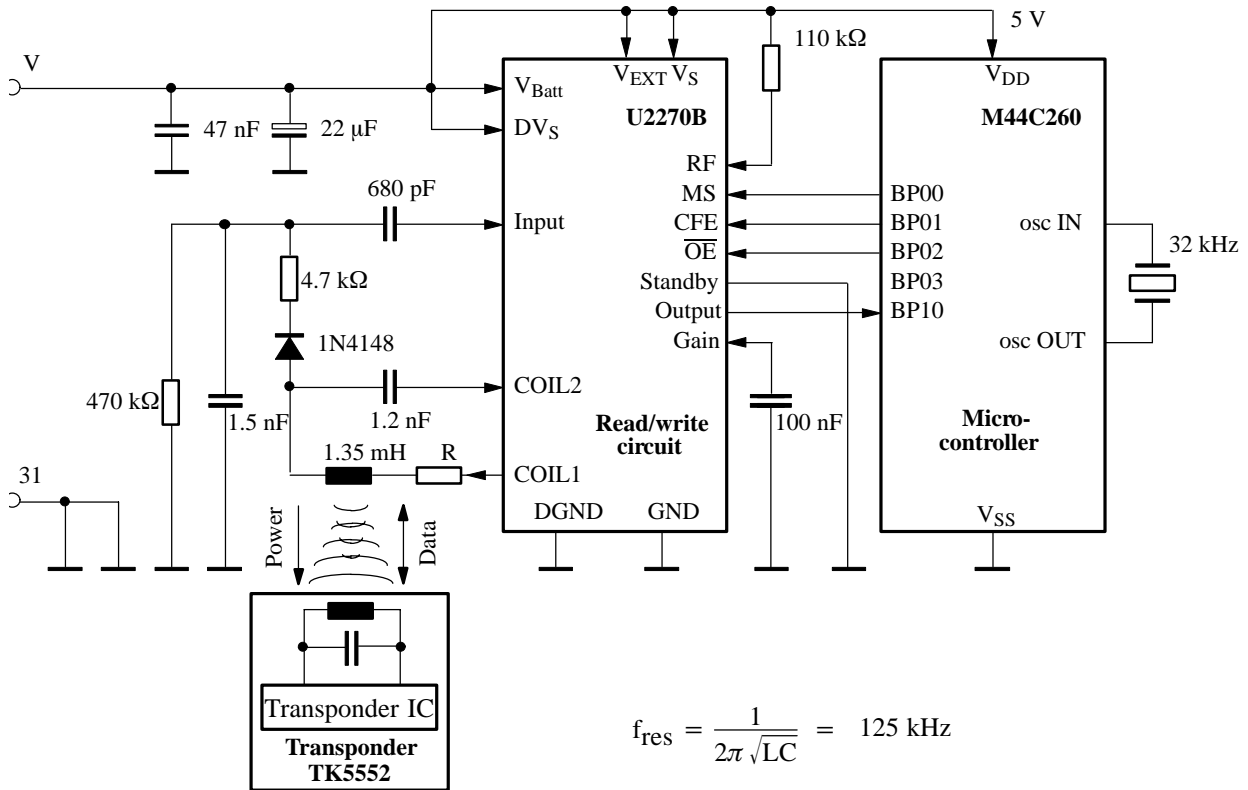
Operating Distance

The maximum distance between the base station and the TK5552 depends mainly on the base station, the coil geometries and the modulation options chosen (see U2270B Antenna Design Hints and the U2270B data sheet). When using the Atmel Wireless & Microcontrollers U2270B demo board, the typical distances in the range of 0 to 5 cm can be achieved. Maximum distance

values which are generally valid can not be given in this data sheet. The exact measuring of the maximum distance should be carried out with the TK5552 being integrated into the specific application.

For longer distance used in industrial applications, please use specific solutions like two or more reader coils.

Application

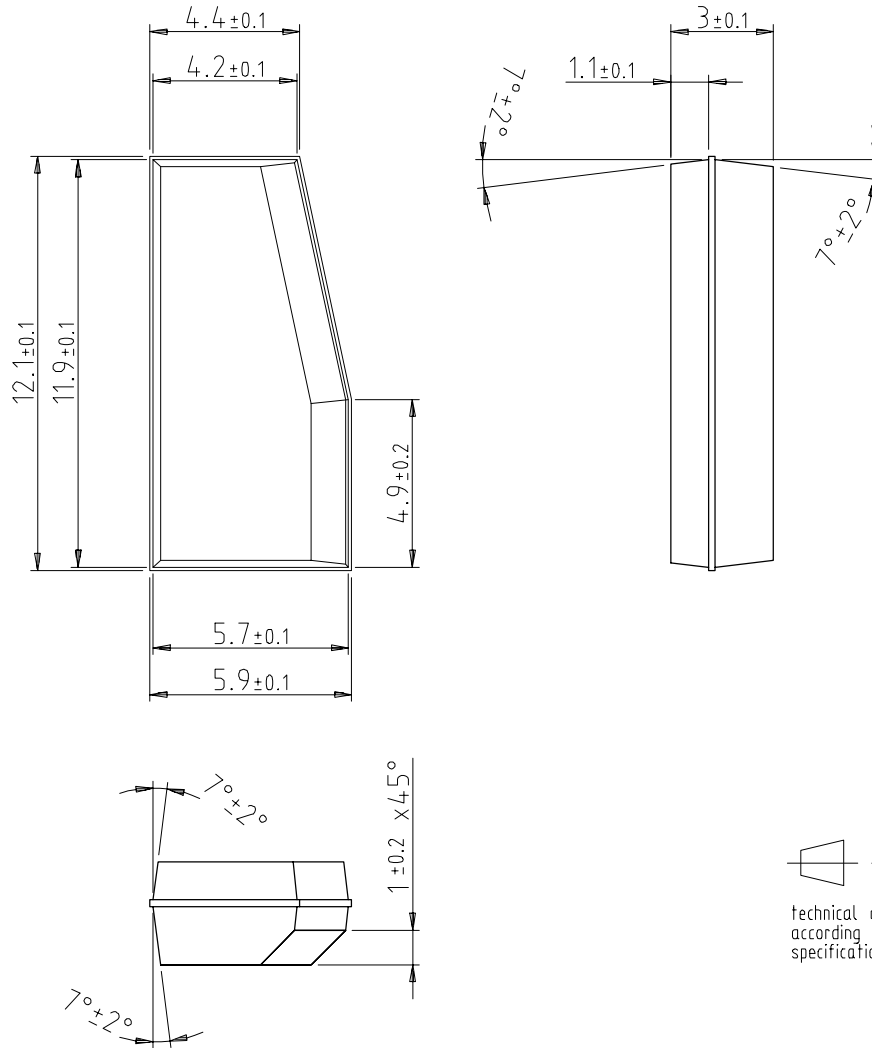


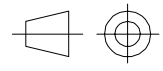
12456

Figure 12. Complete transponder system with the read/write base station IC U2270B (only Manchester code, short distance)

Package Information

Dimensions in mm




technical drawings
according to DIN
specifications

Appendix: Transponder IC Read/Write Identification IC with 1 kbit Memory

Functional Description

The Transponder IC is a two-terminal, contactless R/W-**IDentification IC** (IDIC[®])* for tag applications in the 125 kHz (\pm 25 kHz) range. The IC uses the external RF signal to generate its own power supply and internal clock reference.

The IC contains a total of 1056 bits of EEPROM memory grouped into 32 individually addressable data blocks. Each block is made up of 32 bits of data plus an associated lock bit for block write protection. Blocks 1 to 31 are provided for user related data and block 0 for system configuration.

Features

- Low power, low voltage operation
- ESD protection: > 8 kV (HBM)
- Optimized for flipchip die attach processes
- Contactless power supply
- Contactless read/write data transmission
- Radio Frequency (RF): 100 kHz to 150 kHz
- 1056 bits of EEPROM memory
- 992 bits (31 x 32 bits) of user memory
- Defined start of data transmission
- Auto-verify after EEPROM programming
- Block write protection for each block
- Configurable options include:
 - Modulation type: PSK | Manchester
 - Bit rate [bit/s]: RF/16 | RF/32
 - Number of readable blocks
 - Modulation defeat
 - POR start-up delay: \approx 1 ms | \approx 65 ms

Data is transmitted from the IC (uplink) using reflective load (backscatter) modulation. This is achieved by damping the external RF field by switching a resistive load between the two terminals Clock-A/Clock-B as shown in figure 14 (downlink). The IC receives and decodes amplitude modulated data from the base station.

As soon as the tag including the Transponder IC is exposed to an RF field and the field is strong enough to derive enough energy to operate, the tag will respond by continuously transmitting stored data (uplink mode). The base station can at any time switch the tag into downlink mode to write new user or configuration data. Generally, the tag will automatically return to the default uplink mode when the downlink transfer is complete, interrupted or an error condition occurs.

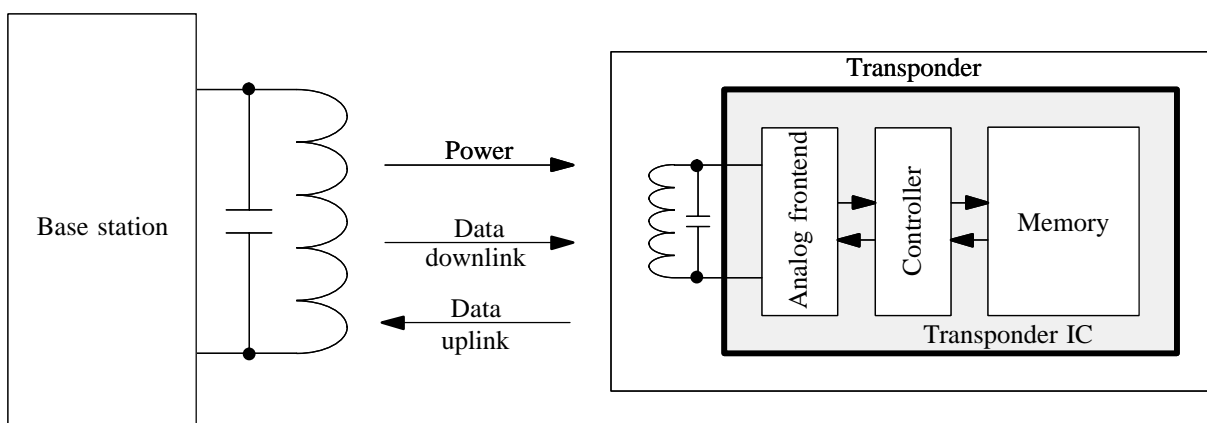


Figure Appendix 1. Transponder system example using Transponder IC

* IDIC[®] stands for IDentification Integrated Circuit and is a trademark of Atmel Wireless & Microcontrollers

Functional Modules

Analog Front End (AFE)

The analog front end (AFE) includes all circuits which are directly connected to the coil. It generates the IC's power supply and handles the bidirectional data communication with the basestation. It consists of the following blocks:

- Rectifier to generate a DC supply voltage from the AC coil voltage.
- ESD protection
- Clock extractor
- Switchable load between Clock-A/ Clock-B for data transmission from the IC to the reader electronics (uplink mode).
- Field gap detector for data transmission from the base station to the IC (downlink mode).

Controller

The control logic is responsible for the following:

- Initializing and refresh configuration register from EEPROM block 0.
- Controlling read and write memory accesses.
- Handling data transmission and opcode decoding.
- Error detection and error handling.

Clock Extraction

The clock extraction circuit generates the internal clock source out of the external RF signal.

Data Rate Generator

The data rate in uplink mode can be selected to operate at either RF/16 (nominally 7.81 kHz, default) or RF/32 (nominally 3.91 kHz).

Bit Decoder

This function block decodes the field gaps and verifies the validity of the incoming data stream.

Charge Pump

This circuit generates the high voltage required for programming the EEPROM.

Power-On Reset (POR)

This circuit delays the IC's functionality until an acceptable voltage threshold has been reached.

Mode Register

This register holds the configuration data bits stored in EEPROM block 0. It is refreshed at the start of every block read operation.

Modulator

The modulator encodes the serial data stream shifted out of the selected EEPROM data block and controls the damping circuit in the AFE. The Transponder IC frontend supports PSK and Manchester encoding.

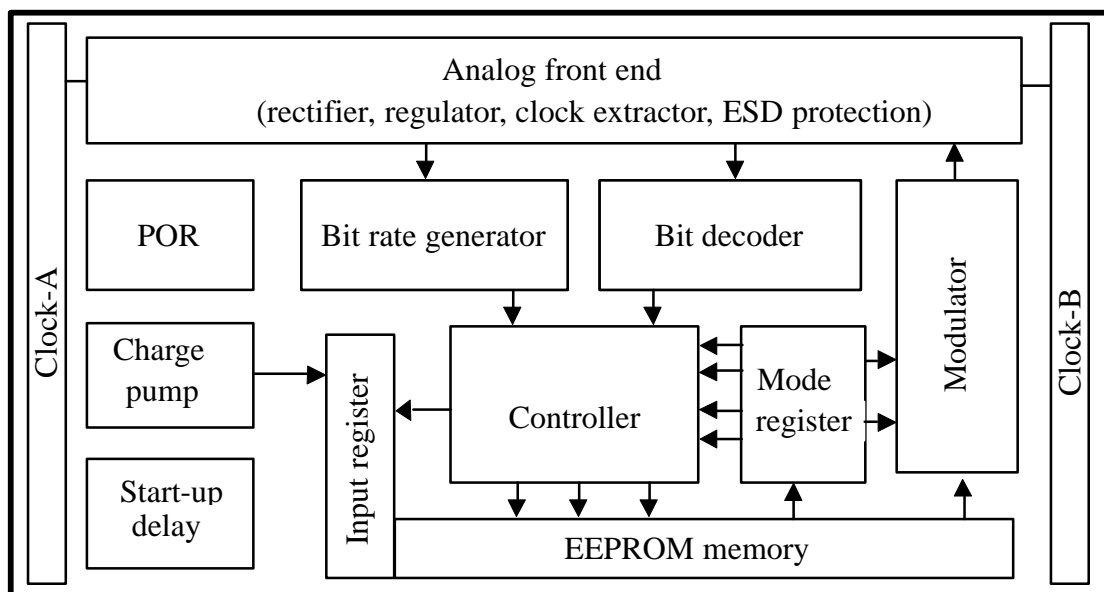


Figure Appendix 2. Functional block diagram

Operating the Transponder IC

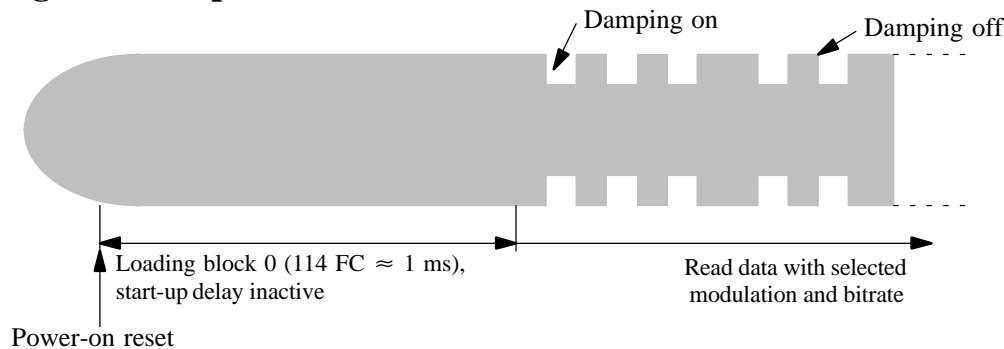


Figure Appendix 3. Voltage at Clock-A/ Clock-B after power on

General

The basic functions of the Transponder IC are to supply the IC from the RF field, read data out of the EEPROM and shift them to the modulator, receive data and program these data bits into the EEPROM. An error detecting circuit prevents the EEPROM from being written with wrong data.

Power Supply

The IC is supplied via a tuned LC circuit which is connected to the Clock-A/Clock-B pads. The incoming RF induces a current in the coil. The on-chip rectifier generates the DC supply voltage. Overvoltage protection prevents the IC from damage due to high field strengths. Depending on the coil, the open-circuit voltage across the LC circuit can reach more than 100 V.

Initialization

The occurrence of a RF field triggers a power-on reset pulse, ensuring a defined start-up. The Power-On-Reset circuit (POR) remains active until an adequate voltage threshold has been reached. This in turn triggers the default start-up delay sequence. During this period of 114 field clock cycles (FC) the Transponder IC is initialized with the configuration data stored in EEPROM block 0. This is followed by an additional delay time which is defined by the "Start-up Delay" bit.

If the "Start-up Delay" bit is set the Transponder IC remains inactive until 8192 RF clock cycles have occurred. If this option is deactivated, no delay is observed after the configuration period of 114 RF clock cycles (≈ 1 ms).

Any field gap occurring during initialization will restart the complete sequence.

$$T_{INIT} = (114 + 8,192 * \text{delay bit}) / 125 \text{ kHz} \approx 65 \text{ ms}$$

After this initialization time the Transponder IC enters uplink mode and modulation starts automatically using the parameters defined in the configuration block.

Uplink Operation

All transmissions from the IC to the base station utilizes amplitude modulation (ASK) of the RF carrier. This takes place by switching a resistive load between the coil pads (Clock-A and Clock-B) which in turn modulates the RF field generated by the base station (reflective backscatter modulation).

MaxBlock

Data from the memory is serially transmitted, starting with block 1, bit 1, up to the last block (MAXBLK), bit 32. The last block which will be transmitted is defined by the mode parameter field MAXBLK is stored in EEPROM block 0. When the MAXBLK address has been reached, data transmission restarts with block 1.

The user defines the cyclic datastream by setting the MAXBLK between 0 and 31 (representing each of the 32 data blocks). If set to 1, only block 1 is transmitted. If set to 31, blocks 1 to 31 will be sequentially transmitted. If set to 0, only the contents of the configuration block (normally not accessible) will be transmitted (see figure 4).

On the other hand it is also possible to access a single data block selectively, independent of the MAXBLK value, with the direct access command (Opcode '11'). The thus addressed data block is transmitted repeatedly.

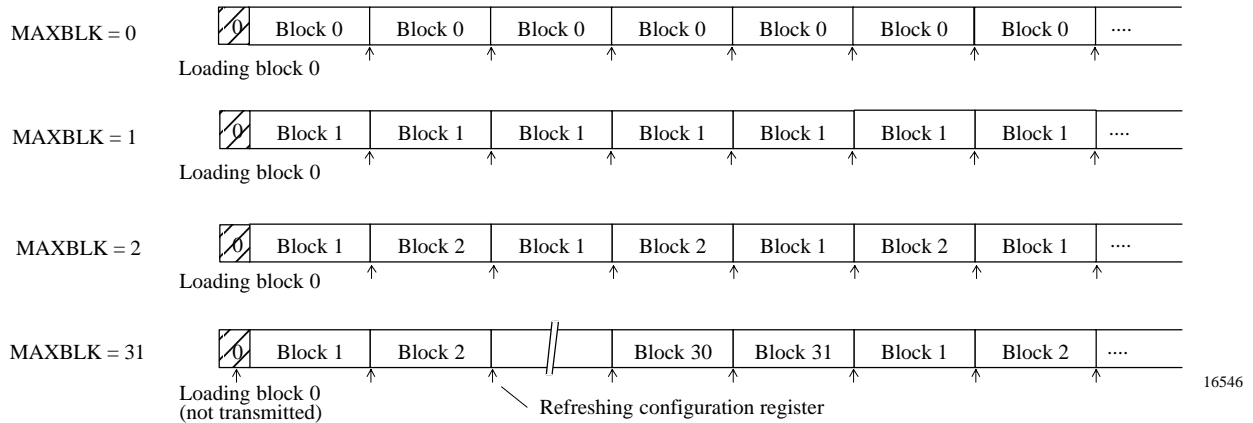


Figure Appendix 4. Datastream pattern depending on MAXBLK

Data Encoding

Everytime when entering uplink mode, the data stream is preceded by a single start bit (always '0'). Then the data stream continues with block 1, bit 1, and continues through MAXBLK, bit 32. This data stream pattern cycles continuously.

The modulator is configurable for

- MANCHESTER

Manchester encoded data represent a logical '1' with a rising edge and a logical '0' with a falling edge.

- PSK using sub-carrier frequency $RF/2$

The PSK modulator changes phase with each change of data. The first phase shift represents a data change from '0' \rightarrow '1'.

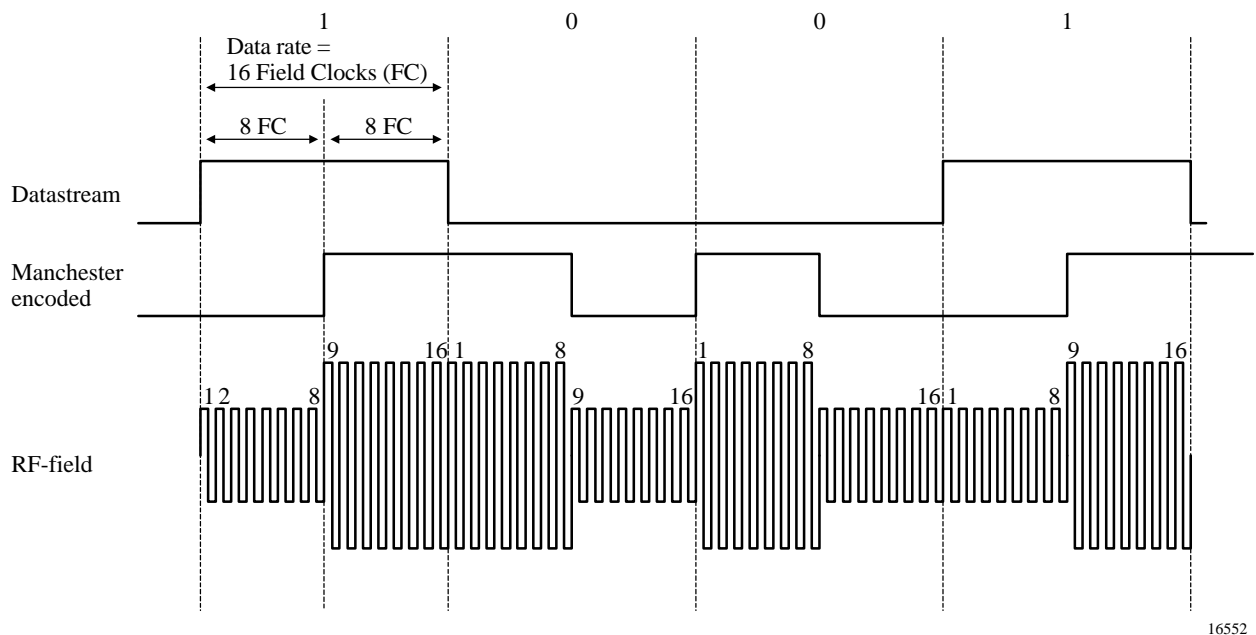


Figure Appendix 5. Example of Manchester encoding with data rate $RF/16$

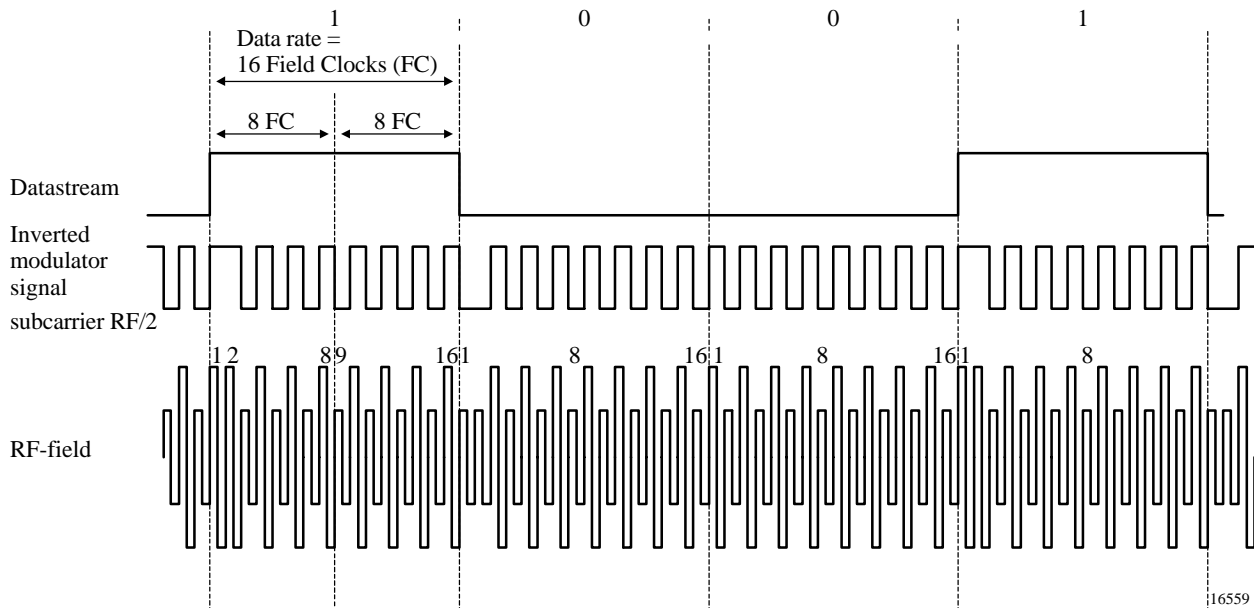


Figure Appendix 6. Example of PSK encoding with data rate RF/16

Downlink Operation

Data is transmitted from the base station by amplitude modulation of the field ($m = 1$) using a series of so called gaps. With the exception of the initial synchronisation gap (start gap), all field gaps have the same duration, the logical data being encoded in the length of the unmodulated phases (see figure A 7)

A valid data stream is always preceded by a start gap which is approximately twice as long as a normal field gap. Detection of this first gap causes the Transponder IC to switch immediately into the downlink mode where it can receive and decode the following data stream. This stream consists of two opcode bits, followed by (0 or 33) data bits (including the lock bit) and finally (0, 3 or 5) address bits. In downlink mode the transponder damping is permanently enabled. This loads the resonant transponder coil circuit so that it comes quickly to rest when field gaps occur – thus allowing fast gap detection.

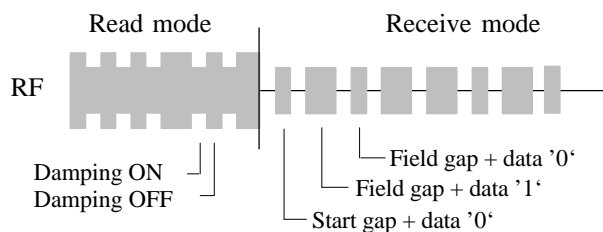


Figure Appendix 7. Entering the downlink mode

A start gap will be accepted at any time after start-up initialization has been finished (RF field ON plus ≈ 1 ms, startup delay inactive) and the IC is not in downlink operation.

Downlink Data Coding

The duration of a field gap is typically between 80 and 250 μ s. After the start gap the data bits are transmitted by the base station whereby each bit is separated by a field gap. The bit decoder interprets 16 to 32 internal field clocks as a logical '0' and 48 to 64 internal field clocks as a logical '1' (see figure A 8). Therefore the time between two gaps is typically 24 field clocks for a '0' and 56 field clocks for a '1'.

Whenever the bit decoder detects more than 64 field clocks, the Transponder IC will abort the downlink mode. The incoming data stream is checked continuously and should an error be detected the corresponding error handling is initiated.

The control logic initiates an EEPROM programming cycle if the correct number of bits had been received (see figure A 9).

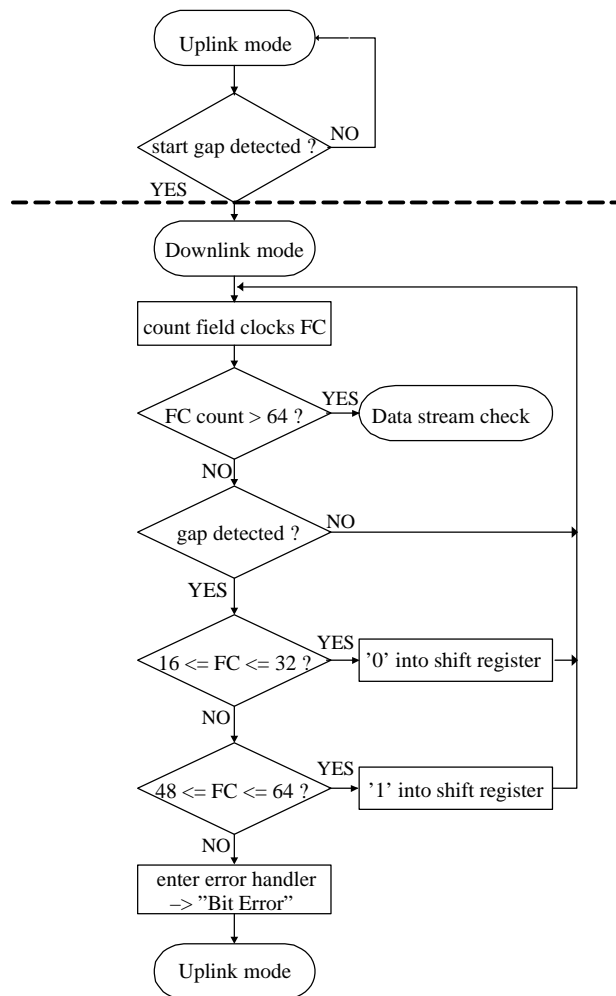


Figure Appendix 8. Operation of bit decoder – data stream decoder

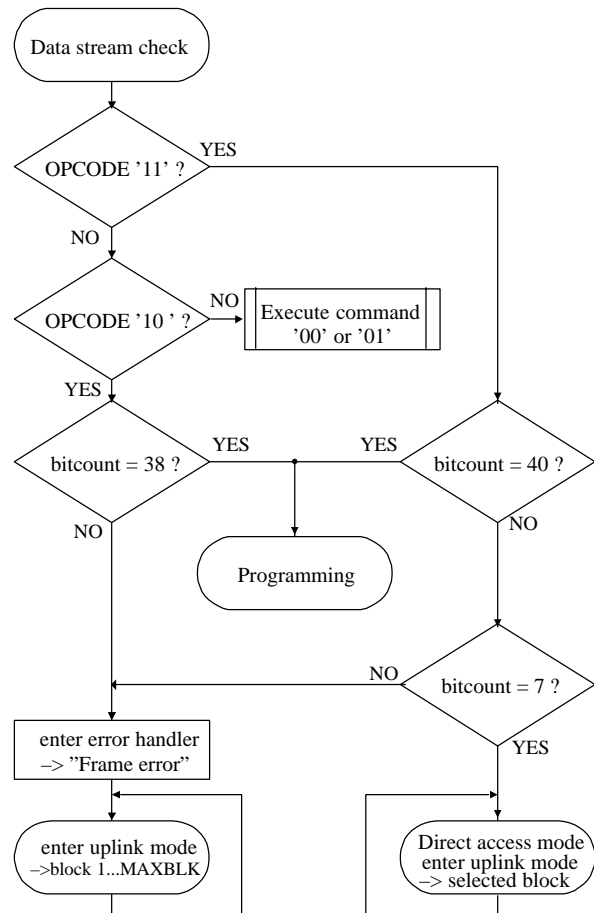


Figure Appendix 9. Data stream checking

Opcode definitions

The first two bits of the data stream are decoded by the controller as the opcode bits (see figure A 10):

'11': Opcode for a 5-bit address data stream

- To initiate a standard block write cycle the 2 opcode bits are followed by the lock bit, the 32 data bits and the 5-bit block address (40 bits total).
- The direct access command consists of the opcode '11' followed by the 5-bit block address and is a read-only command (7 bits total).

'10': Opcode for a 3-bit address data stream

- e5550 receive mode compatible
To initiate a block write cycle, the opcode '10' is followed by the lock bit, the 32 data bits and the 3-bit block address (38 bits total).

'01': reserved for production test commands.

'00': Opcode for an internal reset command.

	OP						
Standard block write	11	L	1	Data bits	32	4	Addr 0
	OP						
Short block write	10	L	1	Data bits	32	2	Addr 0
	OP						
Direct access command	11		4	Addr			0
	OP						
Reset command	00						

Figure Appendix 10. Transponder IC opcode format definition

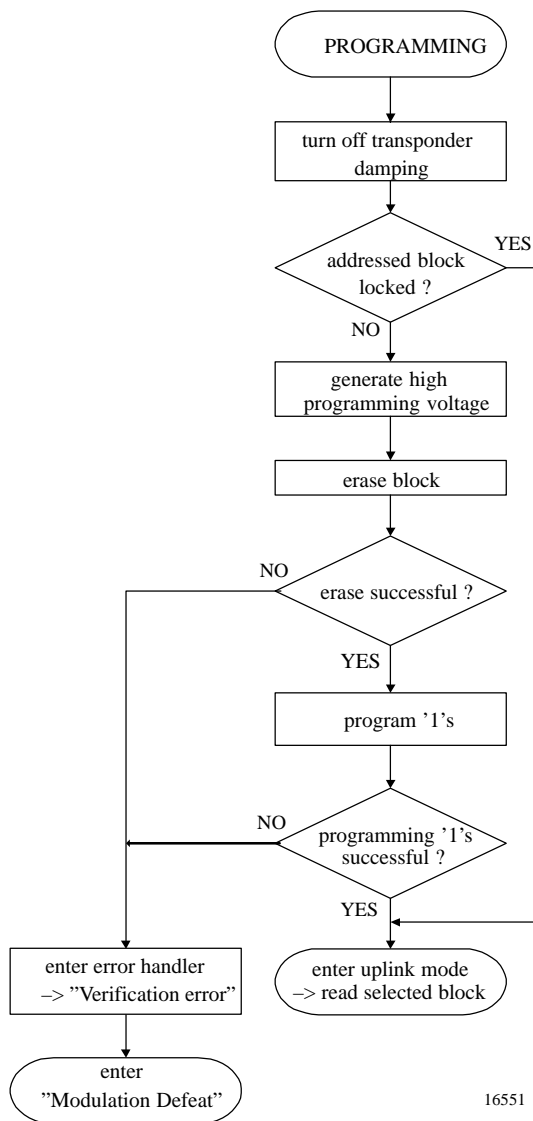


Figure Appendix 11. Programming cycle flow chart

Programming

If the bit decoder and controller detect a valid data stream, the Transponder IC will start an erase and programming cycle if a data write command was decoded (see figure A 11).

During the erase and programming cycle downlink damping is turned off. The programming cycle includes a data verification read to check the integrity of the data. After EEPROM programming and verification has been finished successfully, the Transponder IC enters uplink mode transmitting the block just programmed.

The typical programming time is \approx 18 ms.

Error Handling

Several error conditions are detected by the Transponder IC to ensure that only valid information is programmed into the EEPROM.

Errors During EEPROM Programming

There are two error types which will lead to different actions.

- Verification error

If one of the data verification cycles fails, the Transponder IC will inhibit modulation and not return to the uplink mode. This "modulation defeat" state is terminated by re-entering the downlink mode with a start gap.

- Block write protection

If the lock bit of the addressed block is set, programming is disabled. In this case, the programming cycle is not initiated and the Transponder IC reverts to uplink mode, transmitting the currently addressed (and unmodified) block continuously.

Errors During Data Transmission

The following errors are detected by the decoder:

- Bit error

Wrong number of field clocks between two gaps (i.e. not a valid '0' or '1' pulse stream).

- Frame error

The number of data bits received is incorrect:

- valid bit count for 3-bit address write is 38 bits
- valid bit count for 5-bit address write is 40 bits or
- 7 bits for a direct access command.

If any of these conditions is detected, the Transponder IC enters uplink mode starting with block 1.

EEPROM Memory Organisation

The memory array of the Transponder IC consists of 1,056 bits of EEPROM, arranged in 32 individually addressable blocks of 33 bits each, consisting of one lock bit and 32 data bits. All 33 bits, including the lock bit, are programmed simultaneously.

The programming voltage is generated on-chip.

Lock bit

Each block has an associated write lock bit with which the entire block can be protected. By default all lock bits **L** are reset ('0').

Note: Once set, the lock bit – and the content of the associated block – cannot be altered.

Memory Map

The configuration data of the Transponder IC is stored in block 0 of the EEPROM.

The remaining thirty-one data blocks (1 .. 31) each consist of one lock bit and 32 user data bits.

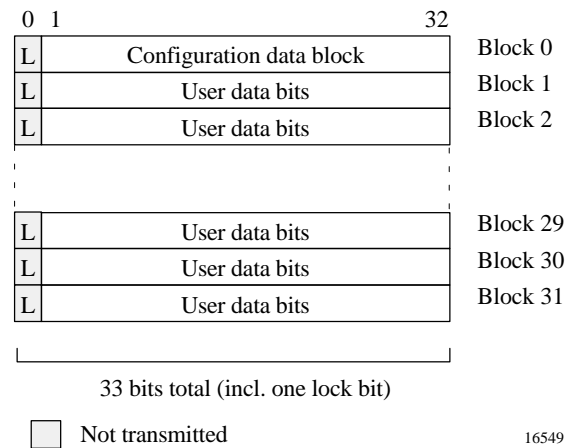


Figure Appendix 12. Memory map

Configuration Data Block

This data block contains 9 configuration bits.

The remaining bits of block 0 are reserved for future enhancements and should be set to '0'.

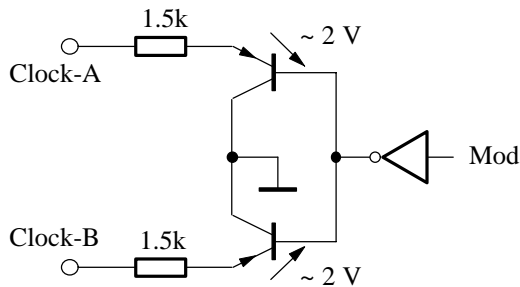
- Start-up Delay bit (SD, default: NO delay)
When set, an additional delay time of 64 ms is added after any internal reset.
- Data Rate bit (DR, default: RF/16)
Selects data rate of RF/16 or RF/32.
- Modulation Select bit (MS, default is PSK)
Selects type of data encoding which is either MANCHESTER or PSK.
- Modulation Defeat bit (MD, default is OFF)
When set (to '1') the modulation output is deactivated, hence no data will be transmitted. The "modulation defeat" state does not impact the transponder damping function.
- MAXBLK address bits (MAXBLK, default is 31)
This 5-bit block address is used to define the upper limit of cyclic block reads.

Note: The configuration is changed by re-programming block 0 as long as the corresponding lock bit is not set. The default settings can be lost due to the die cut.

Transponder IC Configuration Block 0

L	1	2	3	4	5	6	7	8	9	10	11	12	13	14	15	16	17	18	19	20	21	22	23	24	25	26	27	28	29	30	31	32		
	0	0	0	0	0	0	0	0	0	0	0	0	0	0	0	0	0	0	0	0	0	0												0
Lockbit	reserved, to be '0'																						Start-up delay SD	Data rate DR	Modul. select MS	MD	MAXBLOCK				reserved			
	00000 = Block 0 00001 = Block 1 00010 = Block 1...2 00011 = Block 1...3 11111 = Block 1...31																																	
						Modulation Defeat																												
						0 = Normal function 1 = Modulation off																												
0 = Unlocked 1 = Locked												NO delay = 0 Delay of 8,192 field clocks = 1		0 = RF/16 1 = RF/32																				

Figure Appendix 13. Transponder IC configuration block 0 bit mapping



16580

Figure Appendix 14. Simplified damping circuit

Absolute Maximum Ratings

Parameters	Symbol	Value	Unit
Maximum DC current into Clock-A/Clock-B	I _{coil}	10	mA
Maximum AC current into Clock-A/Clock-B, f = 125 kHz	I _{coil PP}	20	mA
Power dissipation (dice) ¹⁾	P _{tot}	100	mW
Electrostatic discharge voltage according to MIL-Standard 883D method 3015 (HBM)	V _{max}	8000	V
Operation ambient temperature range	T _{amb}	-25 to +75	°C
Storage temperature range ²⁾	T _{stg}	-40 to +125	°C
Maximum assembly temperature for less than 5 min ³⁾	T _{slid}	+150	°C

Notes: 1) Free-air condition, time of application: 1s

2) Data retention reduced

3) Assembly temperature of 150°C for less than 5 minutes does not affect the data retention

Stresses above those listed under "Absolute Maximum Ratings" may cause permanent damage to the device.

Operating Characteristics

T_{amb} = 25°C; f_{RF} = 125 kHz reference terminal is VSS

Parameters	Test Conditions / Pins	Symbol	Min.	Typ.	Max.	Unit
RF frequency range		f _{RF}	100	125	150	kHz
Supply current	Uplink & downlink mode – full temperature range	IDD		5	7.5	μA
	Programming – full temperature range	IDD		14	28	μA
Clamp voltage	10 mA current into Clock-A/B	V _{clamp}	7		11	V
Programming time	Per block	t _P		18		ms
Startup time	2)	t _{startup}	1		65	ms
Data retention	1)	t _{retention}	10			Years
Programming cycles	1)	n _{cycles}	100,000			
Clock-A/B voltage	Uplink & downlink mode	V _{clockPP}	6			V
Clock-A/B voltage	Programming, RF field w/o damping	V _{clockPP}	12			V
Damping resistor	Each at Clock-A and Clock-B	RD		1.5		kΩ

Note: 1) Since EEPROM performance is influenced by assembly and packaging, Atmel Wireless & Microcontrollers confirms the parameters for DOW (= tested dice on wafer) and ICs assembled in standard package.

2) Depends on start-up delay bit in configuration register

Ozone Depleting Substances Policy Statement

It is the policy of **Atmel Germany GmbH** to

1. Meet all present and future national and international statutory requirements.
2. Regularly and continuously improve the performance of our products, processes, distribution and operating systems with respect to their impact on the health and safety of our employees and the public, as well as their impact on the environment.

It is particular concern to control or eliminate releases of those substances into the atmosphere which are known as ozone depleting substances (ODSs).

The Montreal Protocol (1987) and its London Amendments (1990) intend to severely restrict the use of ODSs and forbid their use within the next ten years. Various national and international initiatives are pressing for an earlier ban on these substances.

Atmel Germany GmbH has been able to use its policy of continuous improvements to eliminate the use of ODSs listed in the following documents.

1. Annex A, B and list of transitional substances of the Montreal Protocol and the London Amendments respectively
2. Class I and II ozone depleting substances in the Clean Air Act Amendments of 1990 by the Environmental Protection Agency (EPA) in the USA
3. Council Decision 88/540/EEC and 91/690/EEC Annex A, B and C (transitional substances) respectively.

Atmel Germany GmbH can certify that our semiconductors are not manufactured with ozone depleting substances and do not contain such substances.

We reserve the right to make changes to improve technical design and may do so without further notice.

Parameters can vary in different applications. All operating parameters must be validated for each customer application by the customer. Should the buyer use Atmel Wireless & Microcontrollers products for any unintended or unauthorized application, the buyer shall indemnify Atmel Wireless & Microcontrollers against all claims, costs, damages, and expenses, arising out of, directly or indirectly, any claim of personal damage, injury or death associated with such unintended or unauthorized use.

Data sheets can also be retrieved from the Internet: <http://www.atmel-wm.com>

Atmel Germany GmbH, P.O.B. 3535, D-74025 Heilbronn, Germany
Telephone: 49 (0)7131 67 2594, Fax number: 49 (0)7131 67 2423