



## XCR3064: 64 Macrocell CPLD

DS036 (v1.3) October 9, 2000

### Product Specification

### Features

- Industry's first TotalCMOS™ PLD - both CMOS design and process technologies
- Fast Zero Power (FZP™) design technique provides ultra-low power and very high speed
- High speed pin-to-pin delays of 10 ns
- Ultra-low static power of less than 50  $\mu$ A
- 100% routable with 100% utilization while all pins and all macrocells are fixed
- Deterministic timing model that is extremely simple to use
- Four clocks available
- Programmable clock polarity at every macrocell
- Support for asynchronous clocking
- Innovative XPLA™ architecture combines high speed with extreme flexibility
- 1000 erase/program cycles guaranteed
- 20 years data retention guaranteed
- Logic expandable to 37 product terms
- PCI compliant
- Advanced 0.5 $\mu$  E<sup>2</sup>CMOS process
- Security bit prevents unauthorized access
- Design entry and verification using industry standard and Xilinx CAE tools
- Reprogrammable using industry standard device programmers
- Innovative control term structure provides either sum terms or product terms in each logic block for:
  - Programmable 3-state buffer
  - Asynchronous macrocell register preset/reset
- Programmable global 3-state pin facilitates 'bed of nails' testing without using logic resources
- Available in PLCC, VQFP, and PQFP packages
- Available in both commercial and industrial grades

### Description

The XCR3064 CPLD (Complex Programmable Logic Device) is the second in a family of CoolRunner® CPLDs from Xilinx. These devices combine high speed and zero power in a 64 macrocell CPLD. With the FZP design technique, the XCR3064 offers true pin-to-pin speeds of 10 ns, while simultaneously delivering power that is less than 50  $\mu$ A at standby without the need for "turbo-bits" or other power-down schemes. By replacing conventional sense amplifier methods for implementing product terms (a technique that has been used in PLDs since the bipolar era) with a cascaded chain of pure CMOS gates, the dynamic power is also substantially lower than any other CPLD.

These devices are the first TotalCMOS PLDs, as they use both a CMOS process technology **and** the patented full CMOS FZP design technique. For 5V applications, Xilinx also offers the high speed XCR5064 CPLD that offers these features in a full 5V implementation.

The Xilinx FZP CPLDs utilize the patented XPLA (eXtended Programmable Logic Array) architecture. The XPLA architecture combines the best features of both PLA and PAL type structures to deliver high speed and flexible logic allocation that results in superior ability to make design changes with fixed pinouts. The XPLA structure in each logic block provides a fast 10 ns PAL path with five dedicated product terms per output. This PAL path is joined by an additional PLA structure that deploys a pool of 32 product terms to a fully programmable OR array that can allocate the PLA product terms to any output in the logic block. This combination allows logic to be allocated efficiently throughout the logic block and supports as many as 37 product terms on an output. The speed with which logic is allocated from the PLA array to an output is only 2.5 ns, regardless of the number of PLA product terms used, which results in worst case  $t_{PD}$ 's of only 12.5 ns from any pin to any other pin. In addition, logic that is common to multiple outputs can be placed on a single PLA product term and shared across multiple outputs via the OR array, effectively increasing design density.

The XCR3064 CPLDs are supported by industry standard CAE tools (Cadence/OrCAD, Exemplar Logic, Mentor, Synopsys, Synario, Viewlogic, and Synplicity), using text (ABEL, VHDL, Verilog) and/or schematic entry. Design verification uses industry standard simulators for functional and timing simulation. Development is supported on personal computer, Sparc, and HP platforms. Device fitting uses a Xilinx developed tool, XPLA Professional (available on the Xilinx web site).

The XCR3064 CPLD is reprogrammable using industry standard device programmers from vendors such as Data I/O, BP Microsystems, SMS, and others.

## XPLA Architecture

Figure 1 shows a high level block diagram of a 64 macrocell device implementing the XPLA architecture. The XPLA architecture consists of logic blocks that are interconnected by a Zero-power Interconnect Array (ZIA). The ZIA is a virtual cross point switch. Each logic block is essentially a 36V16 device with 36 inputs from the ZIA and 16 macrocells. Each logic block also provides 32 ZIA feedback paths from the macrocells and I/O pins.

From this point of view, this architecture looks like many other CPLD architectures. What makes the CoolRunner family unique is what is inside each logic block and the design technique used to implement these logic blocks. The contents of the logic block will be described next.

## Logic Block Architecture

Figure 2 illustrates the logic block architecture. Each logic block contains control terms, a PAL array, a PLA array, and 16 macrocells. the six control terms can individually be con-

figured as either SUM or PRODUCT terms, and are used to control the preset/reset and output enables of the 16 macrocells' flip-flops. The PAL array consists of a programmable AND array with a fixed OR array, while the PLA array consists of a programmable AND array with a programmable OR array. The PAL array provides a high speed path through the array, while the PLA array provides increased product term density.

Each macrocell has five dedicated product terms from the PAL array. The pin-to-pin  $t_{PD}$  of the XCR3064 device through the PAL array is 10 ns. If a macrocell needs more than five product terms, it simply gets the additional product terms from the PLA array. The PLA array consists of 32 product terms, which are available for use by all 16 macrocells. The additional propagation delay incurred by a macrocell using one or all 32 PLA product terms is just 2.5 ns. So the total pin-to-pin  $t_{PD}$  for the XCR3064 using six to 37 product terms is 12.5 ns (10 ns for the PAL + 2.5 ns for the PLA).

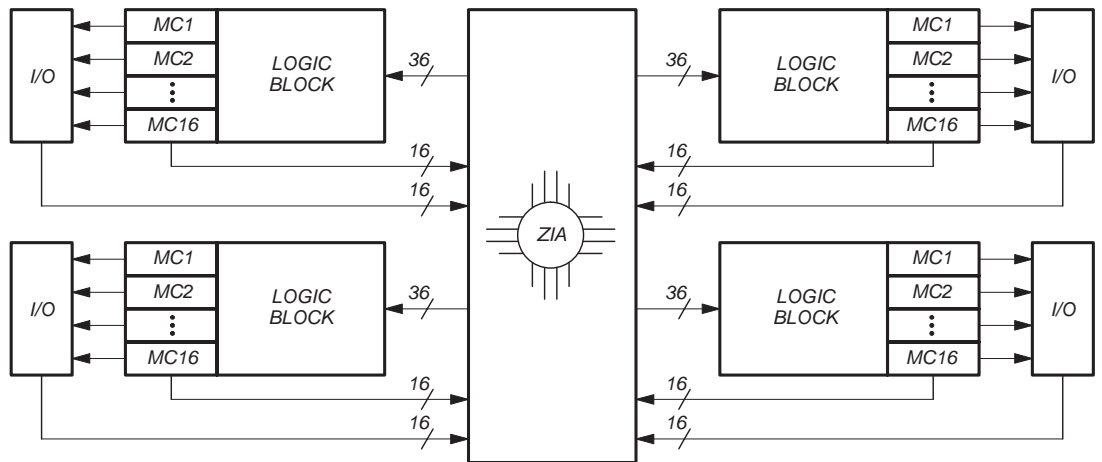
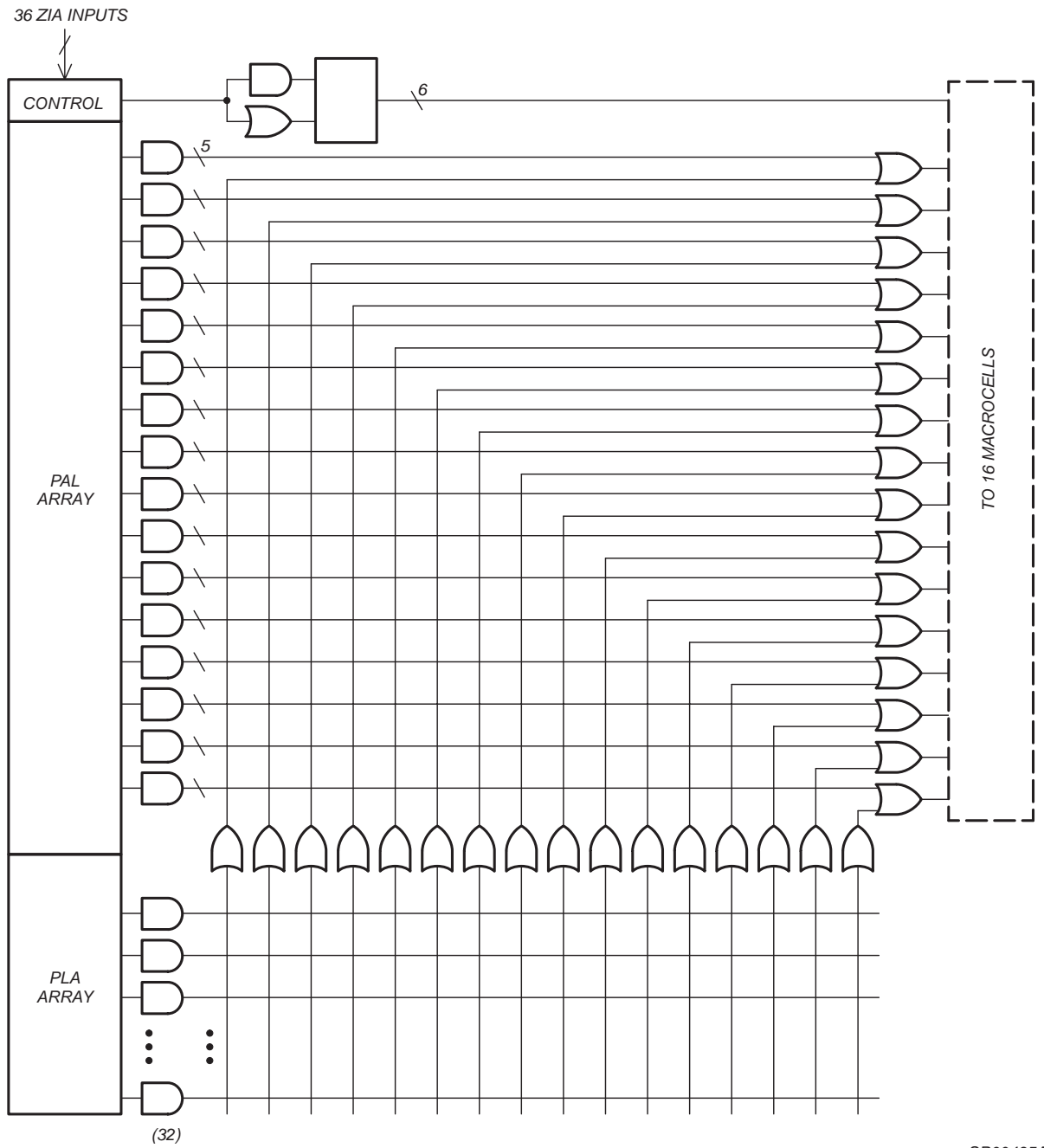


Figure 1: Xilinx XPLA CPLD Architecture



SP00435A

Figure 2: Xilinx XPLA Logic Block Architecture

## Macrocell Architecture

Figure 3 shows the architecture of the macrocell used in the CoolRunner family. The macrocell consists of a flip-flop that can be configured as either a D- or T-type. A D-type flip-flop is generally more useful for implementing state machines and data buffering. A T-type flip-flop is generally more useful in implementing counters. All CoolRunner family members provide both synchronous and asynchronous clocking and provide the ability to clock off either the falling or rising edges of these clocks. These devices are designed such that the skew between the rising and falling edges of a clock are minimized for clocking integrity. There are four clocks available on the XCR3064 device. Clock 0 (CLK0) is designated as the "synchronous" clock and must be driven by an external source. Clock 1 (CLK1), Clock 2 (CLK2), and Clock 3 (CLK3) can either be used as a synchronous clock (driven by an external source) or as an asynchronous clock (driven by a macrocell equation). The timing for asynchronous clocks is different in that the  $t_{CO}$  time is extended by the amount of time that it takes for the signal to propagate through the array and reach the clock network, and the  $t_{SU}$  time is reduced.

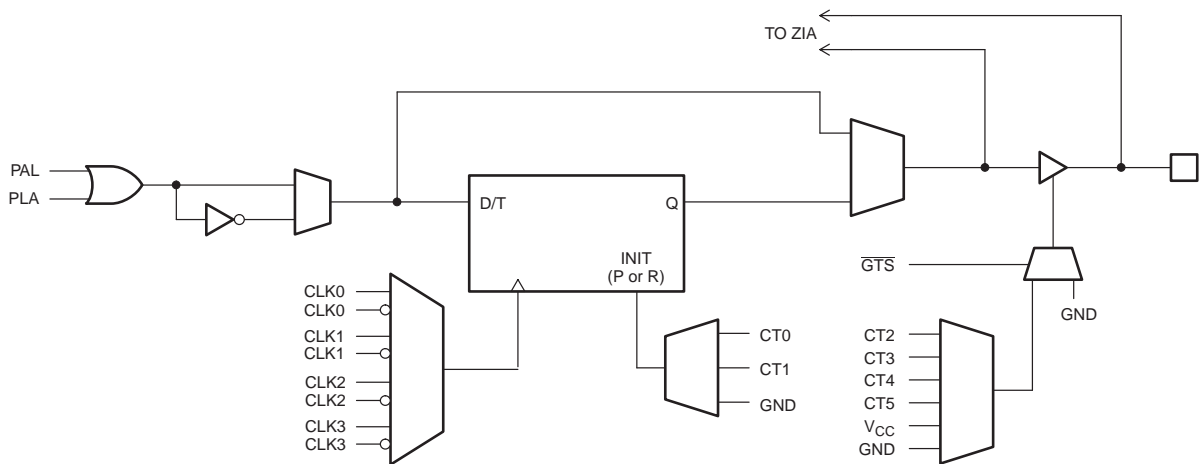
Two of the control terms (CT0 and CT1) are used to control the Preset/Reset of the macrocell's flip-flop. The Preset/Reset feature for each macrocell can also be disabled. Note that the Power-on Reset leaves all macrocells in the "zero" state when power is properly applied. The other four control terms (CT2-CT5) can be used to control the Output Enable of the macrocell's output buffers. The reason there are as many control terms dedicated for the Output Enable of the macrocell is to insure that all CoolRunner devices are PCI compliant. The macrocell's output buffers can also be always enabled or disabled. All CoolRunner devices also provide a Global 3-State (GTS) pin, which, when enabled and pulled Low, will 3-state all the outputs of the device. This pin is provided to support "In-Circuit Testing" or "Bed-of-Nails" testing.

There are two feedback paths to the ZIA: one from the macrocell, and one from the I/O pin. The ZIA feedback path before the output buffer is the macrocell feedback path, while the ZIA feedback path after the output buffer is the I/O pin ZIA path. When the macrocell is used as an output, the output buffer is enabled, and the macrocell feedback path can be used to feedback the logic implemented in the macrocell. When the I/O pin is used as an input, the output buffer will be 3-stated and the input signal will be fed into the ZIA via the I/O feedback path, and the logic implemented in the buried macrocell can be fed back to the ZIA via the macrocell feedback path. It should be noted that unused inputs or I/Os should be properly terminated.

## Terminations

The CoolRunner XCR3064 CPLDs are TotalCMOS devices. As with other CMOS devices, it is important to consider how to properly terminate unused inputs and I/O pins when fabricating a PC board. Allowing unused inputs and I/O pins to float can cause the voltage to be in the linear region of the CMOS input structures, which can increase the power consumption of the device. The XCR3064A CPLDs have programmable on-chip pull-down resistors on each I/O pin. These pull-downs are automatically activated by the fitter software for all unused I/O pins. Note that an I/O macrocell used as buried logic that does not have the I/O pin used for input is considered to be unused, and the pull-down resistors will be turned on. We recommend that any unused I/O pins on the XCR3064 device be left unconnected.

There are no on-chip pull-down structures associated with the dedicated input pins. Xilinx recommends that any unused dedicated inputs be terminated with external 10kΩ pull-up resistors. These pins can be directly connected to  $V_{CC}$  or GND, but using the external pull-up resistors maintains maximum design flexibility should one of the unused dedicated inputs be needed due to future design changes.



SP00457

**Figure 3: XCR3064 Macrocell Architecture**

## Simple Timing Model

Figure 4 shows the CoolRunner Timing Model. The CoolRunner timing model looks very much like a 22V10 timing model in that there are three main timing parameters, including  $t_{PD}$ ,  $t_{SU}$ , and  $t_{CO}$ . In other CPLD architectures, the user may be able to fit the design into the CPLD, but is not sure whether system timing requirements can be met until after the design has been fit into the device. This is because the timing models of other CPLD architectures are very complex and include such things as timing dependencies on the number of parallel expanders borrowed, sharable expanders, varying number of X and Y routing channels used, etc. In the XPLA architecture, the user knows up front whether the design will meet system timing requirements. This is due to the simplicity of the timing model. For example, in the XCR3064 device, the user knows up front that if a given output uses five product terms

or less, the  $t_{PD} = 10$  ns, the  $t_{SU\_PAL} = 6$  ns, and the  $t_{CO} = 7$  ns. If an output is using six to 37 product terms, an additional 2.5 ns must be added to the  $t_{PD}$  and  $t_{SU}$  timing parameters to account for the time to propagate through the PLA array.

## TotalCMOS Design Technique for Fast Zero Power

Xilinx is the first to offer a TotalCMOS CPLD, both in process technology and design technique. Xilinx employs a cascade of CMOS gates to implement its Sum-of-Products instead of the traditional sense amp approach. This CMOS gate implementation allows Xilinx to offer CPLDs which are both high performance and low power, breaking the paradigm that to have low power, you must have low performance. Refer to Figure 5 and Table 1 showing the  $I_{CC}$  vs. Frequency of our XCR3064 TotalCMOS CPLD.

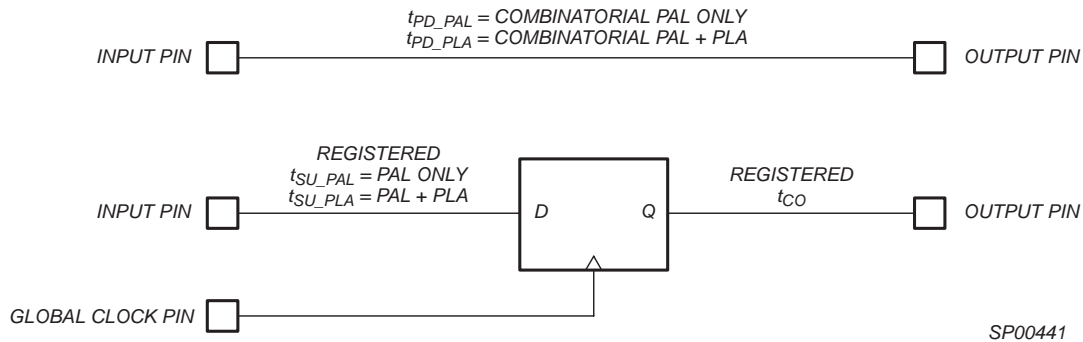
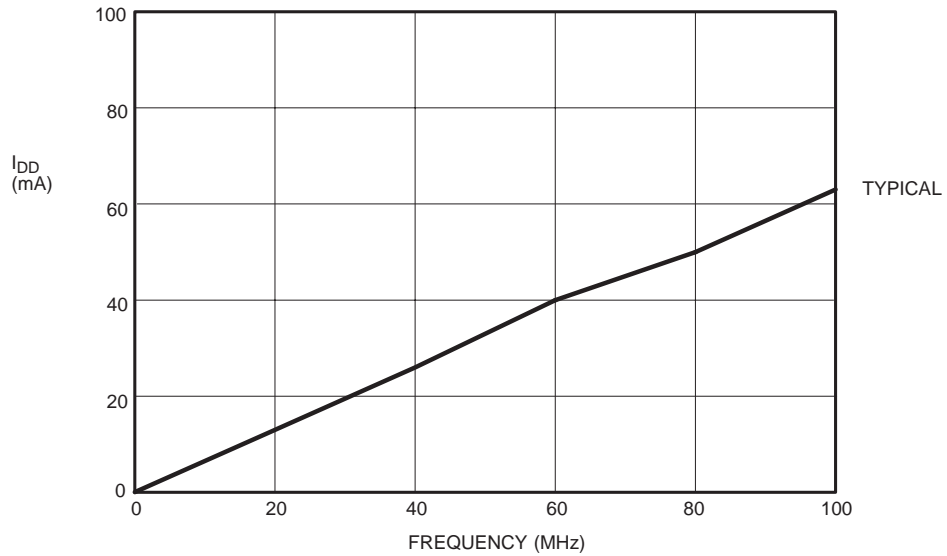


Figure 4: CoolRunner Timing Model



SP00460A

Figure 5:  $I_{CC}$  vs. Frequency @  $V_{CC} = 3.3V, 25^{\circ}C$

Table 1:  $I_{CC}$  vs. Frequency ( $V_{CC} = 3.3V, 25^{\circ}C$ )

Frequency (Mhz)	0	20	40	60	80	100
Typical $I_{CC}$ (mA)	0.04	13	26	40	50	63

## Absolute Maximum Ratings<sup>1</sup>

Symbol	Parameter	Min.	Max.	Units
$V_{CC}$	Supply voltage <sup>2</sup>	-0.5	7.0	V
$V_I$	Input voltage	-1.2	$V_{CC} + 0.5$	V
$V_{OUT}$	Output voltage	-0.5	$V_{CC} + 0.5$	V
$I_{IN}$	Input current	-30	30	mA
$I_{OUT}$	Output current	-100	100	mA
$T_J$	Maximum junction temperature	-40	150	°C
$T_{STR}$	Storage temperature	-65	150	°C

Notes:

1. Stresses above those listed may cause malfunction or permanent damage to the device. This is a stress rating only. Functional operation at these or any other condition above those indicated in the operational and programming specification is not implied.
2. The chip supply voltage must rise monotonically.

## Operating Range

Product Grade	Temperature	Voltage
Commercial	0 to +70°C	3.3V ± 10%
Industrial	-40 to +85°C	3.3V ± 10%

## DC Electrical Characteristics For Commercial Grade Devices

Commercial:  $0^{\circ}\text{C} \leq T_{\text{AMB}} \leq +70^{\circ}\text{C}$ ;  $3.0\text{V} \leq V_{\text{CC}} \leq 3.6\text{V}$

Symbol	Parameter	Test Conditions	Min.	Max.	Unit
$V_{\text{IL}}$	Input voltage Low	$V_{\text{CC}} = 3.0\text{V}$		0.8	V
$V_{\text{IH}}$	Input voltage High	$V_{\text{CC}} = 3.6\text{V}$	2.0		V
$V_{\text{I}}$	Input clamp voltage	$V_{\text{CC}} = 3.0\text{V}$ , $I_{\text{IN}} = -18\text{ mA}$		-1.2	V
$V_{\text{OL}}$	Output voltage Low	$V_{\text{CC}} = 3.0\text{V}$ , $I_{\text{OL}} = 8\text{ mA}$		0.5	V
$V_{\text{OH}}$	Output voltage High	$V_{\text{CC}} = 3.0\text{V}$ , $I_{\text{OH}} = -8\text{ mA}$	2.4		V
$I_{\text{I}}$	Input leakage current	$V_{\text{IN}} = 0\text{ to }V_{\text{CC}}$	-10	10	$\mu\text{A}$
$I_{\text{OZ}}$	3-stated output leakage current	$V_{\text{IN}} = 0\text{ to }V_{\text{CC}}$	-10	10	$\mu\text{A}$
$I_{\text{CCQ}}^1$	Standby current	$V_{\text{CC}} = 3.6\text{V}$ , $T_{\text{AMB}} = 0^{\circ}\text{C}$		50	$\mu\text{A}$
$I_{\text{CCD}}^{1,2}$	Dynamic current	$V_{\text{CC}} = 3.6\text{V}$ , $T_{\text{AMB}} = 0^{\circ}\text{C}$ at 1 MHz		1	mA
		$V_{\text{CC}} = 3.6\text{V}$ , $T_{\text{AMB}} = 0^{\circ}\text{C}$ at 50 MHz		40	mA
$I_{\text{OS}}$	Short circuit output current <sup>3</sup>	One pin at a time for no longer than 1 second	-5	-100	mA
$C_{\text{IN}}$	Input pin capacitance <sup>3</sup>	$T_{\text{AMB}} = 25^{\circ}\text{C}$ , $f = 1\text{ MHz}$		8	pF
$C_{\text{CLK}}$	Clock input capacitance <sup>3</sup>	$T_{\text{AMB}} = 25^{\circ}\text{C}$ , $f = 1\text{ MHz}$	5	12	pF
$C_{\text{I/O}}$	I/O pin capacitance <sup>3</sup>	$T_{\text{AMB}} = 25^{\circ}\text{C}$ , $f = 1\text{ MHz}$		10	pF

Notes:

1. See [Table 1 on page 6](#) for typical value.
2. This parameter measured with a 16-bit, loadable up/down counter loaded into every logic block, with all outputs enabled and unloaded. Inputs are tied to  $V_{\text{CC}}$  or ground. This parameter guaranteed by design and characterization, not testing.
3. Typical values, not tested.



## AC Electrical Characteristics For Commercial Grade Devices

Commercial:  $0^{\circ}\text{C} \leq T_{\text{AMB}} \leq +70^{\circ}\text{C}$ ;  $3.0\text{V} \leq V_{\text{CC}} \leq 3.6\text{V}$

Symbol	Parameter	10		12		Unit
		Min.	Max.	Min.	Max.	
$t_{\text{PD\_PAL}}$	Propagation delay time, input (or feedback node) to output through PAL	2	10	2	12	ns
$t_{\text{PD\_PLA}}$	Propagation delay time, input (or feedback node) to output through PAL + PLA	3	12.5	3	14.5	ns
$t_{\text{CO}}$	Clock to out (global synchronous clock from pin)	2	7	2	8	ns
$t_{\text{SU\_PAL}}$	Setup time (from input or feedback node) through PAL	5.5		7		ns
$t_{\text{SU\_PLA}}$	Setup time (from input or feedback node) through PAL + PLA	8		9.5		ns
$t_{\text{H}}$	Hold time		0		0	ns
$t_{\text{CH}}$	Clock High time	4		5		ns
$t_{\text{CL}}$	Clock Low time	4		5		ns
$t_{\text{R}}$	Input Rise time		20		20	ns
$t_{\text{F}}$	Input Fall time		20		20	ns
$f_{\text{MAX1}}$	Maximum FF toggle rate <sup>2</sup> ( $1/t_{\text{CH}} + t_{\text{CL}}$ )	125		100		MHz
$f_{\text{MAX2}}$	Maximum internal frequency <sup>2</sup> ( $1/t_{\text{SUPAL}} + t_{\text{CF}}$ )	91		74		MHz
$f_{\text{MAX3}}$	Maximum external frequency <sup>2</sup> ( $1/t_{\text{SUPAL}} + t_{\text{CO}}$ )	80		67		MHz
$t_{\text{BUF}}$	Output buffer delay time		1.5		1.5	ns
$t_{\text{PDF\_PAL}}$	Input (or feedback node) to internal feedback node delay time through PAL		8.5		10.5	ns
$t_{\text{PDF\_PLA}}$	Input (or feedback node) to internal feedback node delay time through PAL+PLA		11		13	ns
$t_{\text{CF}}$	Clock to internal feedback node delay time		5.5		6.5	ns
$t_{\text{INIT}}$	Delay from valid $V_{\text{CC}}$ to valid reset		50		50	$\mu\text{s}$
$t_{\text{ER}}$	Input to output disable <sup>3</sup>		12.5		14	ns
$t_{\text{EA}}$	Input to output valid		12.5		14	ns
$t_{\text{RP}}$	Input to register preset		15		16	ns
$t_{\text{RR}}$	Input to register reset		15		16	ns

Notes:

1. Specifications measured with one output switching. See [Figure 6](#) and [Table 2](#) for derating.
2. This parameter guaranteed by design and characterization, not by test.
3. Output  $C_L = 5\text{ pF}$ .

## DC Electrical Characteristics For Industrial Grade Devices

Industrial:  $-40^{\circ}\text{C} \leq T_{\text{AMB}} \leq +85^{\circ}\text{C}$ ;  $\leq 0\text{V} \leq V_{\text{CC}} \leq 3.6\text{V}$

Symbol	Parameter	Test Conditions	Min.	Max.	Unit
$V_{\text{IL}}$	Input voltage Low	$V_{\text{CC}} = 3.0\text{V}$		0.8	V
$V_{\text{IH}}$	Input voltage High	$V_{\text{CC}} = 3.6\text{V}$	2.0		V
$V_{\text{I}}$	Input clamp voltage	$V_{\text{CC}} = 3.0\text{V}$ , $I_{\text{IN}} = -18\text{ mA}$		-1.2	V
$V_{\text{OL}}$	Output voltage Low	$V_{\text{CC}} = 3.0\text{V}$ , $I_{\text{OL}} = 8\text{ mA}$		0.5	V
$V_{\text{OH}}$	Output voltage High	$V_{\text{CC}} = 3.0\text{V}$ , $I_{\text{OH}} = -8\text{ mA}$	2.4		V
$I_{\text{I}}$	Input leakage current	$V_{\text{IN}} = 0\text{ to }V_{\text{CC}}$	-10	10	$\mu\text{A}$
$I_{\text{OZ}}$	3-stated output leakage current	$V_{\text{IN}} = 0\text{ to }V_{\text{CC}}$	-10	10	$\mu\text{A}$
$I_{\text{CCQ}}^1$	Standby current	$V_{\text{CC}} = 3.6\text{V}$ , $T_{\text{AMB}} = -40^{\circ}\text{C}$		50	$\mu\text{A}$
$I_{\text{CCD}}^{1,2}$	Dynamic current	$V_{\text{CC}} = 3.6\text{V}$ , $T_{\text{AMB}} = -40^{\circ}\text{C}$ at 1 MHz		1	mA
		$V_{\text{CC}} = 3.6\text{V}$ , $T_{\text{AMB}} = -40^{\circ}\text{C}$ at 50 MHz		40	mA
$I_{\text{OS}}$	Short circuit output current	One pin at a time for no longer than 1 second	-5	-130	mA
$C_{\text{IN}}$	Input pin capacitance	$T_{\text{AMB}} = 25^{\circ}\text{C}$ , $f = 1\text{MHz}$		8	pF
$C_{\text{CLK}}$	Clock input capacitance	$T_{\text{AMB}} = 25^{\circ}\text{C}$ , $f = 1\text{MHz}$	5	12	pF
$C_{\text{I/O}}$	I/O pin capacitance	$T_{\text{AMB}} = 25^{\circ}\text{C}$ , $f = 1\text{MHz}$		10	pF

Notes:

1. See [Table 1 on page 6](#) for typical values.
2. This parameter measured with a 16-bit, loadable up/down counter loaded into every logic block, with all outputs enabled and unloaded. Inputs are tied to  $V_{\text{CC}}$  or ground. This parameter guaranteed by design and characterization, not testing.
3. Typical values, not tested.

## AC Electrical Characteristics For Industrial Grade Devices

Industrial:  $-40^{\circ}\text{C} \leq T_{\text{AMB}} \leq +85^{\circ}\text{C}$ ;  $3.0\text{V} \leq V_{\text{CC}} \leq 3.6\text{V}$

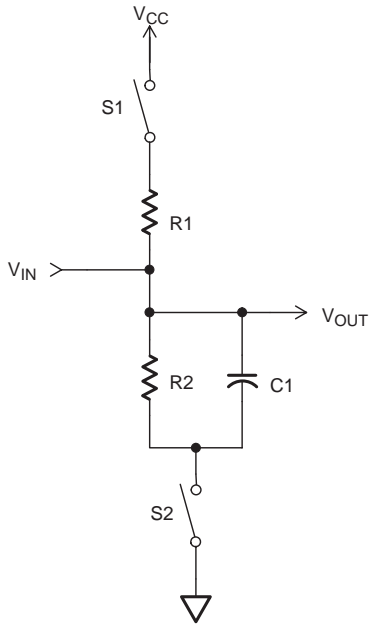
Symbol	Parameter	12		15		Unit
		Min.	Max.	Min.	Max.	
$t_{\text{PD\_PAL}}$	Propagation delay time, input (or feedback node) to output through PAL	2	12	2	15	ns
$t_{\text{PD\_PLA}}$	Propagation delay time, input (or feedback node) to output through PAL + PLA	3	14.5	3	17.5	ns
$t_{\text{CO}}$	Clock to out (global synchronous clock from pin)	2	8	2	9	ns
$t_{\text{SU\_PAL}}$	Setup time (from input or feedback node) through PAL	7		8		ns
$t_{\text{SU\_PLA}}$	Setup time (from input or feedback node) through PAL + PLA	9.5		10.5		ns
$t_{\text{H}}$	Hold time		0		0	ns
$t_{\text{CH}}$	Clock High time	5		5		ns
$t_{\text{CL}}$	Clock Low time	5		5		ns
$t_{\text{R}}$	Input Rise time		20		20	ns
$t_{\text{F}}$	Input Fall time		20		20	ns
$f_{\text{MAX1}}$	Maximum FF toggle rate <sup>2</sup> ( $1/t_{\text{CH}} + t_{\text{CL}}$ )	100		100		MHz
$f_{\text{MAX2}}$	Maximum internal frequency <sup>2</sup> ( $1/t_{\text{SUPAL}} + t_{\text{CF}}$ )	74		65		MHz
$f_{\text{MAX3}}$	Maximum external frequency <sup>2</sup> ( $1/t_{\text{SUPAL}} + t_{\text{CO}}$ )	67		58		MHz
$t_{\text{BUF}}$	Output buffer delay time		1.5		1.5	ns
$t_{\text{PDF\_PAL}}$	Input (or feedback node) to internal feedback node delay time through PAL		10.5		13.5	ns
$t_{\text{PDF\_PLA}}$	Input (or feedback node) to internal feedback node delay time through PAL+PLA		13		16	ns
$t_{\text{CF}}$	Clock to internal feedback node delay time		6.5		7.5	ns
$t_{\text{INIT}}$	Delay from valid $V_{\text{CC}}$ to valid reset		50		50	$\mu\text{s}$
$t_{\text{ER}}$	Input to output disable <sup>3</sup>		14		15	ns
$t_{\text{EA}}$	Input to output valid		14		15	ns
$t_{\text{RP}}$	Input to register preset		16		17	ns
$t_{\text{RR}}$	Input to register reset		16		17	ns

Notes:

1. Specifications measured with one output switching. See Figure 6 and Table 2 for derating.
2. This parameter guaranteed by design and characterization, not by test.
3. Output  $C_L = 5$  pF.

## Switching Characteristics

The test load circuit and load values for the AC Electrical Characteristics are illustrated below.

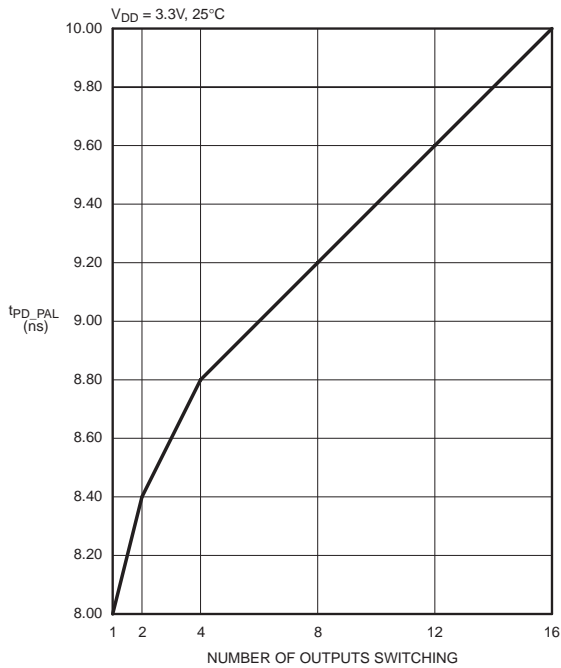


Component	Values
R1	390Ω
R2	390Ω
C1	35pF

Measurement	S1	S2
$t_{pZH}$	Open	Closed
$t_{pZL}$	Closed	Open
$t_p$	Closed	Closed

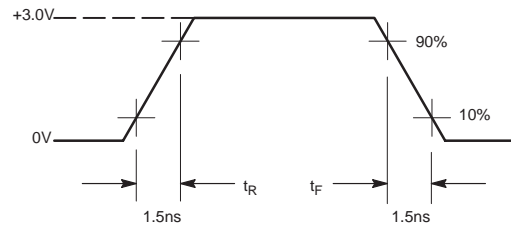
**NOTE:** For  $t_{pZH}$  and  $t_{pZL}$  C = 5 pF, and 3-state levels are measured 0.5V from steady-state active level.

SP00461B



SP00462

Figure 6:  $t_{PD\_PAL}$  vs. Output Switching



SP00368

**MEASUREMENTS:**  
All circuit delays are measured at the +1.5V level of inputs and outputs, unless otherwise specified.

Input Pulses

Figure 7: Voltage Waveform

Table 2:  $t_{PD\_PAL}$  vs # of Outputs Switching  
( $V_{CC} = 3.3 V$ ,  $T = 25^{\circ}C$ )

# of Outputs	1	2	4	8	12	16
Typical (ns)	8.0	8.4	8.8	9.2	9.6	10.0

## Pin Function and Layout

### XCR3064 I/O Pins

Function Block	Macro-cell	PC44	VQ44	PC68	PC84	PQ100	Notes
1	1	4	42	4	4	94	
1	2	-	-	-	5	95	
1	3	5	43	5	6	96	
1	4	-	-	7	8	98	
1	5	-	-	8	9	99	
1	6	6	44	9	10	100	
1	7	-	-	-	11	3	
1	8	-	-	10	12	4	
1	9	7	1	12	14	6	
1	10	-	-	-	15	8	
1	11	-	-	13	16	10	
1	12	8	2	14	17	11	
1	13	9	3	15	18	12	
1	14	11	5	17	20	14	
1	15	-	-	-	21	15	
1	16	12	6	18	22	16	
2	1	21	15	33	41	39	
2	2	-	-	-	40	38	
2	3	20	14	32	39	37	
2	4	19	13	30	37	35	
2	5	18	12	29	36	34	
2	6	-	-	28	35	33	
2	7	-	-	-	34	32	
2	8	-	-	27	33	31	
2	9	17	11	25	31	27	
2	10	-	-	-	30	25	
2	11	16	10	24	29	23	
2	12	-	-	23	28	22	
2	13	-	-	22	27	21	
2	14	14	8	20	25	19	
2	15	-	-	-	24	18	
2	16	13	7	19	23	17	
3	1	24	18	36	44	42	
3	2	-	-	-	45	43	
3	3	25	19	37	46	44	
3	4	26	20	39	48	46	
3	5	27	21	40	49	47	
3	6	-	-	41	50	48	
3	7	-	-	-	51	49	
3	8	28	22	42	52	50	
3	9	29	23	44	54	54	
3	10	-	-	-	55	56	
3	11	-	-	45	56	58	
3	12	-	-	46	57	59	
3	13	-	-	47	58	60	
3	14	31	25	49	60	62	

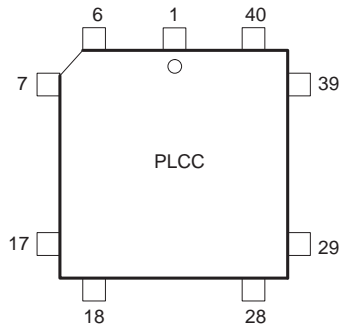
Function Block	Macro-cell	PC44	VQ44	PC68	PC84	PQ100	Notes
3	15	-	-	-	61	63	
3	16	32	26	50	62	64	
4	1	41	35	65	81	87	
4	2	-	-	-	80	86	
4	3	40	34	64	79	85	
4	4	-	-	62	77	83	
4	5	-	-	61	76	82	
4	6	-	-	-	75	81	
4	7	-	-	60	74	78	
4	8	39	33	59	73	77	
4	9	38	32	57	71	75	
4	10	-	-	56	70	73	
4	11	-	-	-	69	71	
4	12	37	31	55	68	70	
4	13	36	30	54	67	69	
4	14	34	28	52	65	67	
4	15	-	-	-	64	66	
4	16	33	27	51	63	65	

### XCR3064 Global, Power, and No connect Pins

Pin Type	PC44	VQ44	PC68	PC84	PQ100	Notes
IN0	43	37	67	83	89	
IN1	1	39	1	1	91	
IN2	44	38	68	84	90	
IN3	2	40	2	2	92	
gtsn	44	38	68	84	90	(1)
CLK0	43	37	67	83	89	
CLK1	24	18	36	44	42	
CLK2	21	15	33	41	39	
CLK3	4	42	4	4	94	
Vcc	3, 15, 23, 35	9, 17, 29, 41	3, 11, 21, 31, 35, 43, 53, 63	3, 13, 26, 38, 43, 53, 66, 78	5, 20, 36, 41, 53, 68, 84, 93	
GND	10, 22, 30, 42	4, 16, 24, 36	6, 16, 26, 34, 38, 48, 58, 66	7, 19, 32, 42, 47, 59, 72, 82	13, 28, 40, 45, 61, 76, 88, 97	
No Connects					1, 2, 7, 9, 24, 26, 29, 30, 51, 52, 55, 57, 72, 74, 79, 80	

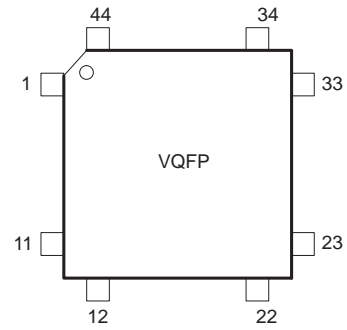
(1) Global 3-State pin facilitates bed of nails testing without using logic resources.

**XCR3064: 44-pin PLCC**



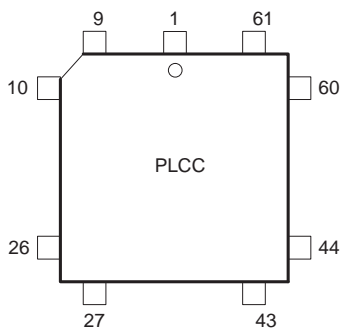
SP00452B

**XCR3064: 44-pin VQFP**



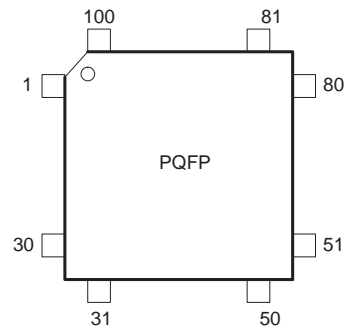
SP00453A

**XCR3064: 68-pin PLCC**



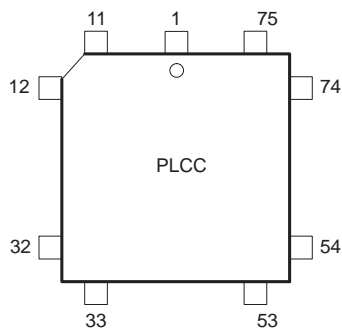
SP00454A

**XCR3064: 100-pin PQFP**



SP00456A

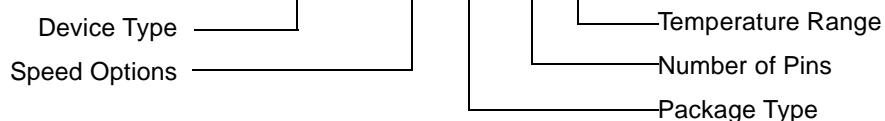
**XCR3064: 84-pin PLCC**



SP00455A

## Ordering Information

### Example: XCR3064 -10 PC 44 C



#### Speed Options

- 15: 15 ns pin-to-pin delay
- 12: 12 ns pin-to-pin delay
- 10: 10 ns pin-to-pin delay

#### Temperature Range

C = Commercial,  $T_A = 0^{\circ}\text{C}$  to  $+70^{\circ}\text{C}$   
 I = Industrial,  $T_A = -40^{\circ}\text{C}$  to  $+85^{\circ}\text{C}$

#### Packaging Options

- VQ44: 44-pin VQFP
- PC44: 44-pin PLCC
- PC68: 68-pin PLCC
- PC84: 84-pin PLCC
- PQ100: 100-pin PQFP

## Component Availability

Pins		44		68	84	100
Type		Plastic VQFP	Plastic PLCC	Plastic PLCC	Plastic PLCC	Plastic PQFP
Code		VQ44	PC44	PC68	PC84	PQ100
XCR3064	-15	I	I	I	I	I
	-12	C, I	C, I	C, I	C, I	C, I
	-10	C	C	C	C	C

## RevisionTable

Date	Version	Revision
7/23/99	1.0	First Xilinx release
2/7/00	1.1	Converted to Xilinx format and updated.
8/10/00	1.2	Updated features and pinout tables.
10/09/00	1.3	Added Discontinuation Notice.