

FEATURES

- Radial Format
- Up to 1.8A IDC
- 10 μ H to 2.2mH
- Low DC Resistance
- Miniature Size
- PCB Mounting
- MIL-I-23053/5 Class III Slewing
- Fully Tinned Leads
- Supplied in Packs of 20
- Custom Parts Available

DESCRIPTION

The 1700 Series is a general-purpose range of inductors suitable for low to medium current applications. Their small footprint makes them ideal for high-density applications where a chip inductor will not cope with the power requirement.

SELECTION GUIDE

Order Code	Inductance	DC Resistance	DC Current Continuous	Nominal Q at f kHz		Nominal Self Resonant Frequency
	$\pm 10\%$ (at 1 kHz) μ H	MAX	A MAX	Q	f	MHz
17103	10	0.05	1.80	40	1000	21.2
17153	15	0.06	1.50	30	500	19.4
17223	22	0.09	1.20	30	500	17.0
17333	33	0.13	1.00	25	500	11.4
17473	47	0.20	0.86	25	500	10.9
17683	68	0.26	0.85	70	100	10.6
17823	82	0.29	0.79	80	100	9.1
17104	100	0.35	0.74	65	100	8.9
17154	150	0.49	0.58	80	100	6.2
17224	220	0.75	0.48	90	100	5.4
17334	330	1.10	0.42	95	100	4.5
17474	470	1.56	0.34	100	100	3.2
17684	680	2.40	0.28	105	100	3.0
17824	820	3.00	0.26	115	100	2.8
17105	1mH	3.30	0.19	120	100	2.5
17155	1.5mH	5.90	0.15	130	100	2.1
17225	2.2mH	7.80	0.12	130	50	1.9

TYPICAL CORE CHARACTERISTICS

Inductance Temperature Coefficient	Resistance Temperature Coefficient	Curie Temperature T_C	Saturation Flux B_{SAT}
350ppm	3900ppm	190°C	325mT

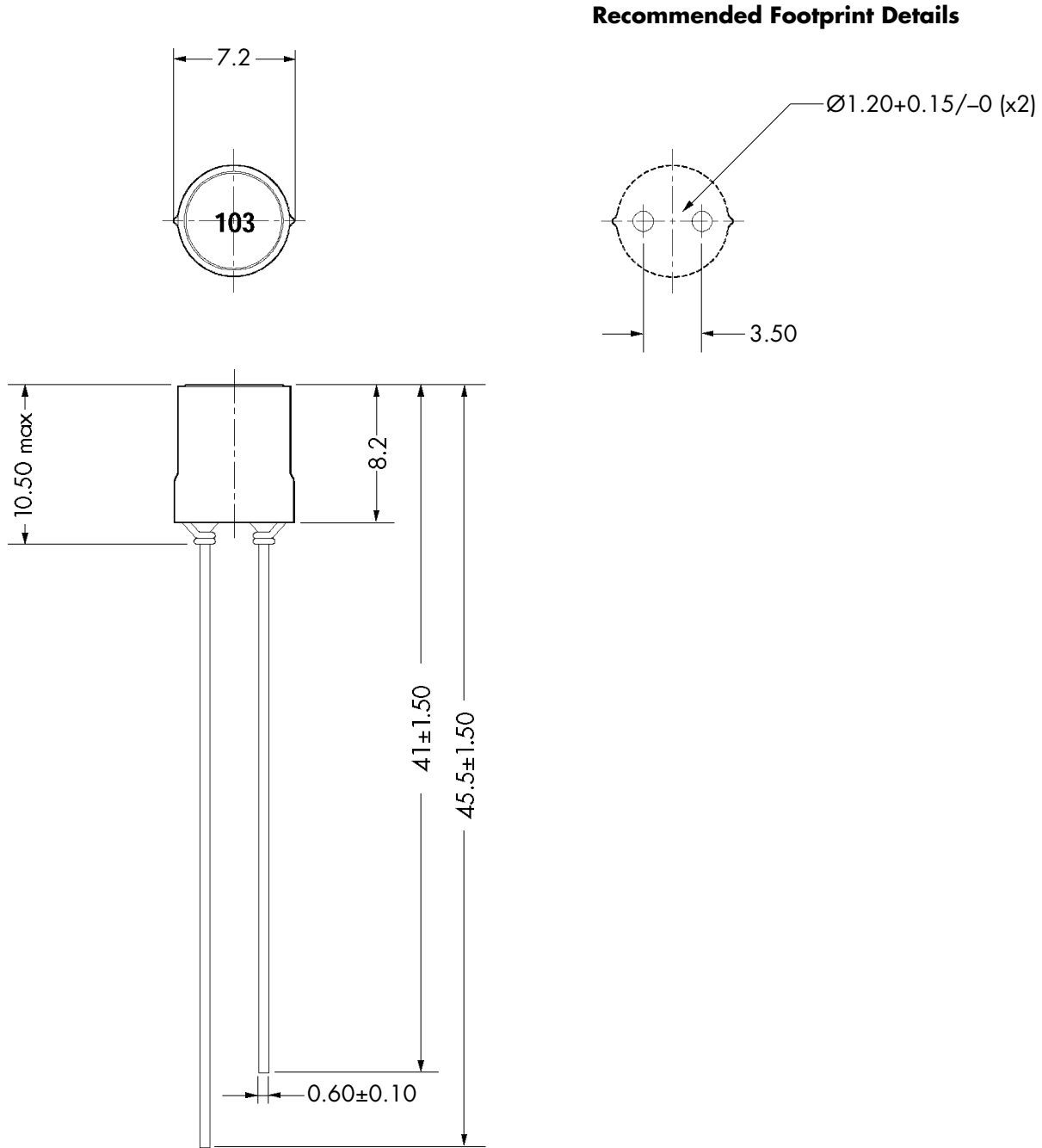
ABSOLUTE MAXIMUM RATINGS

Operating free air temperature range	0°C to 70°C
Storage temperature range	-55°C to 125°C

1700 SERIES

Radial Lead Inductors

MECHANICAL DIMENSIONS



All dimensions in mm

C&D Technologies (NCL) Limited reserve the right to alter or improve the specification, internal design or manufacturing process at any time, without notice. Please check with your supplier or visit our web site to ensure that you have the current and complete specification for your product before use.

© C&D Technologies (NCL) Limited 2000

NMP 1700.2

No part of this publication may be copied, transmitted or stored in a retrieval system or reproduced in any way including, but not limited to, photography, photocopy, magnetic or other recording means, without prior written permission from C&D Technologies (NCL) Limited.

Instructions for use are available from www.dc-dc.com

C&D Technologies (NCL) Ltd
Tanners Drive, Blakelands North
Milton Keynes MK14 5BU, England
Tel: +44 (0)1908 615232
Fax: +44 (0)1908 617545
email: info@cdtechno-ncl.com

www: <http://www.dc-dc.com>

C&D Technologies (NCL), Inc.
8917 Glenwood Avenue, Raleigh
NC 27612, USA
Tel: +1 (919) 571-9405
Fax: +1 (919) 571-9262
email: info@us.cdtechno-ncl.com

C&D TECHNOLOGIES
Power Solutions