

## Transformers Trigger, SCR Isolation

### FEATURES



- Designed for low-cost trigger source isolation in SCR power control circuits.
- Small physical size and low profile provide packaging advantages.
- Designed to transfer high amplitude or long duration pulses without saturation.
- Industrial and commercial applications include motor speed controls, lighting controls and heater controls.
- Interchangeable. Designed for circuit board mounting using same mounting dimensions as 11Z and PT-20 models.

STANDARD ELECTRICAL SPECIFICATIONS						
DASH NUMBER	TURNS RATIO	PRIMARY INDUCTANCE MIN. ( $\mu$ H)	LEAKAGE INDUCTANCE MAX. ( $\mu$ H)	INTERWINDING CAPACITY MAX. (pF)	DCR MAX. (Ohms)	UNIPOLAR ET (V- $\mu$ SEC)
101	1:1 $\pm$ 10%	200	3	800	1.5-1.5	570
102	1:1 $\pm$ 10%	500	6	1500	4.5-4.5	912
103	1:1 $\pm$ 10%	1000	12	2000	8.0-8.0	1283
104	1:1 $\pm$ 10%	2000	13	2800	12-12	1853
105	1:1 $\pm$ 10%	5000	15	3500	18-18	2850
106	2:1 $\pm$ 10%	500	6	1000	4-2	912
107	2:1 $\pm$ 10%	1000	10	1300	10-2	1288
108	2:1 $\pm$ 10%	2000	12	1800	10-5	1881
109	2:1 $\pm$ 10%	5000	15	2400	18-10	2565
110	5:1 $\pm$ 10%	5000	1500	400	19-3	2850

### ELECTRICAL SPECIFICATIONS

**Primary Inductance Values:** From 200 $\mu$ H to 5000 $\mu$ H.

**Turns Ratio:** 1:1, 2:1 and 5:1.

**Temperature Range:** - 55°C to + 105°C.

**Dielectric Test @ 60 Hz:** 1600 V RMS. (Windings to core.)

**AC Line Voltage @ 60 Hz:** 240 V RMS maximum in test circuits shown.

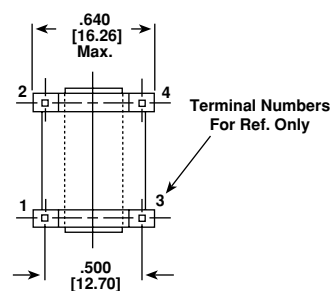
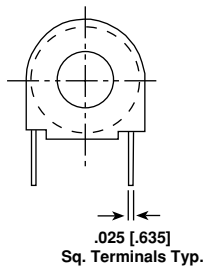
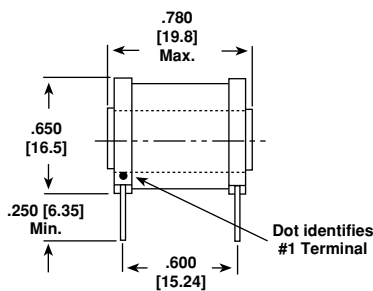
### MATERIAL SPECIFICATIONS

**Bobbin:** Glass-filled nylon.

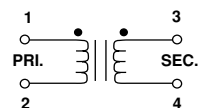
**Terminals:** .025" [.635] square tinned copper.

**Material Rating:** + 105°C Class A.

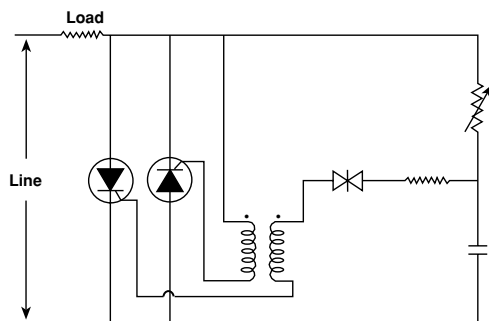
### DIMENSIONAL CONFIGURATIONS [Numbers in brackets indicate millimeters]



#### Schematic



### CIRCUIT DIAGRAM



Transformer Coupled Breakdown Diode Triggering Circuit

### PART MARKING

- Vishay Dale
- Model
- Dash number

### ORDERING INFORMATION

<u>PT</u>	<u>50</u>	<u>101</u>
TYPE	MODEL	DASH NUMBER

Contact factory for special designs not listed.