

SLA4010

T-43-25

Silicon NPN Triple Diffused Planar Darlington**Maximum Ratings**

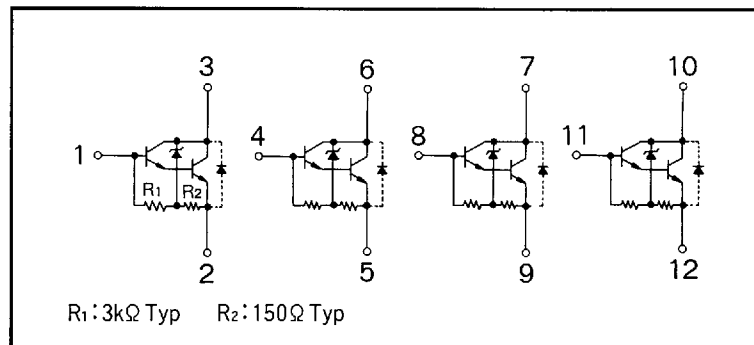
(Ta=25°C)

Item	Symbol	Rating	Unit
Collector-to-Base Voltage	V _{CB0}	60±10	V
Collector-to-Emitter Voltage	V _{CE0}	60±10	V
Emitter-to-Base Voltage	V _{EB0}	6	V
Collector Current	I _C	4	A
Collector Current	I _{CP}	6(P _w ≤10ms, D _u ≤50%)	A
Base Current	I _B	0.5	A
Total Power Dissipation	P _T	5 (Ta=25°C)	W
		40 (T _c =25°C)	
Storage Temperature	T _{stg}	-40~+150	°C

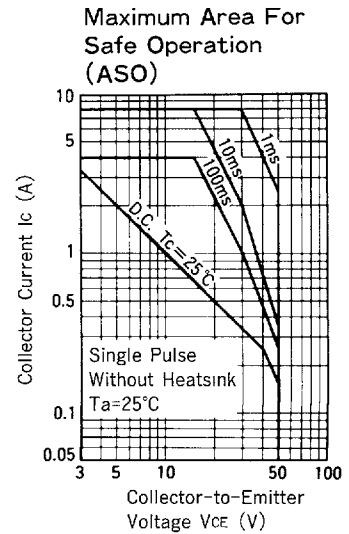
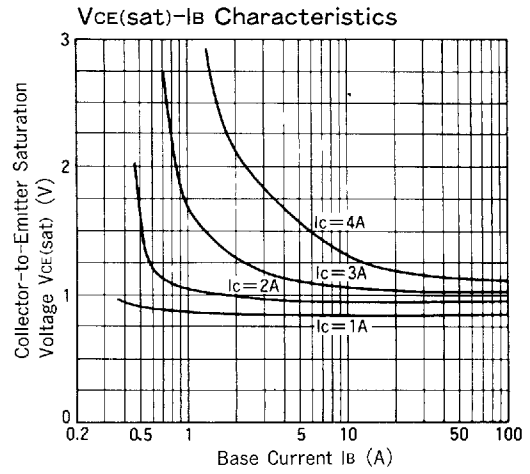
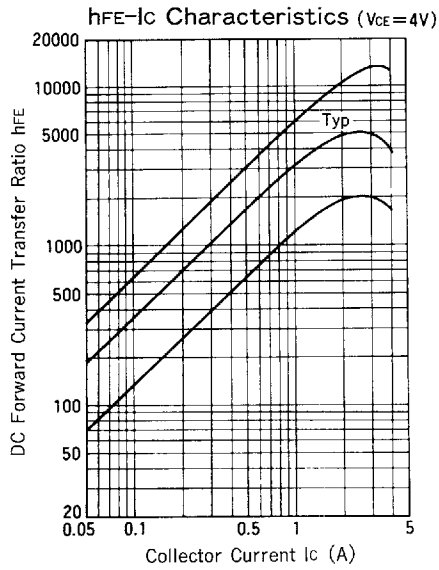
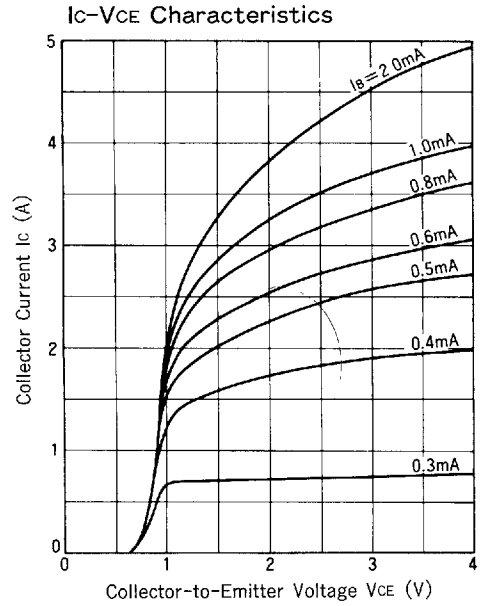
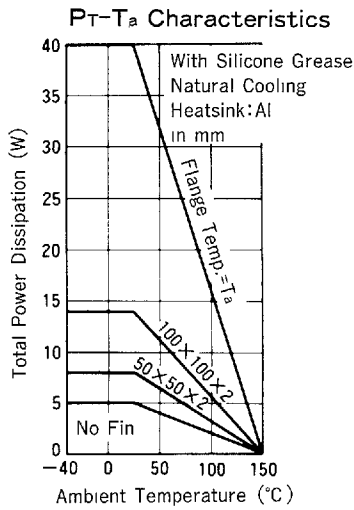
Electrical Characteristics

(Ta=25°C)

Item	Symbol	Conditions	Specification			Unit
			min	typ	max	
Collector Cut-off Current	I _{CB0}	V _{CB} =50V			10	μA
Emitter Cut-off Current	I _{EB0}	V _{EB} =6V			10	mA
Collector-to-Emitter Voltage	V _{CE0}	I _{CE} =10mA	50			V
DC Forward Current Transfer Ratio	h _{FE}	V _{CE} =4V, I _C =3A	2000			
Collector-to-Emitter Saturation Voltage	V _{CE(sat)}	I _C =3A, I _B =10mA			1.5	V

Equivalent Circuit Diagram

Characteristic Curves

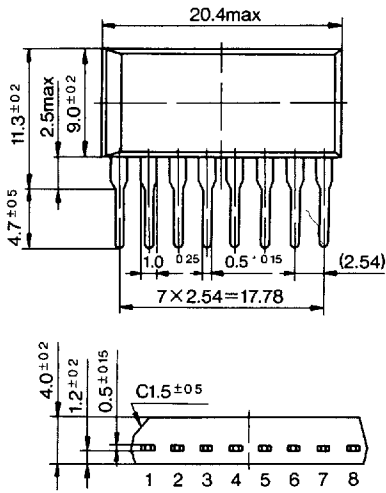


Notes on using products

Outline Drawings (Unit:in mm)

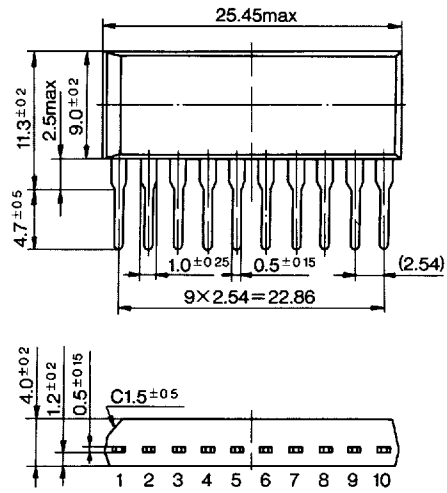
STA Family

STA300 Series



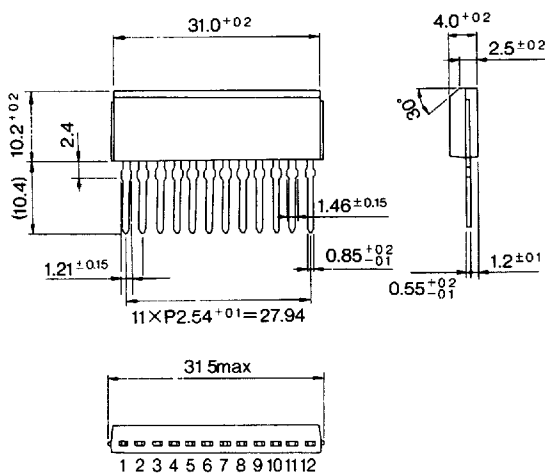
Weight Approx. 2.0g

STA400 Series



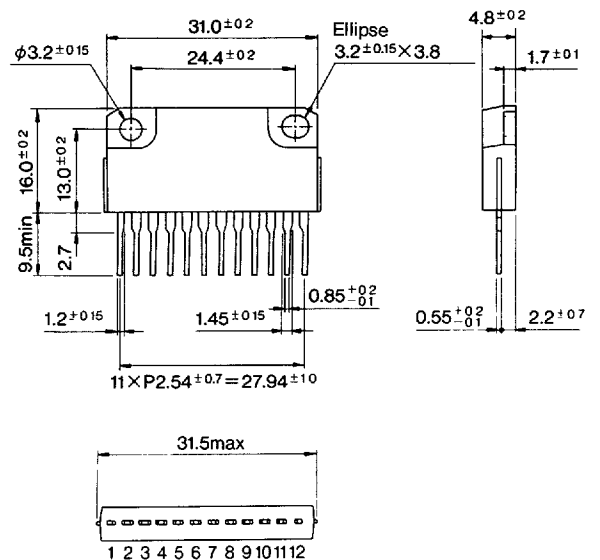
Weight Approx. 2.6g

SMA Family



Weight Approx. 4.0g

SLA Family



Weight Approx. 6.0g