

## Multiple RS-232 Drivers And Receivers

---

### Features

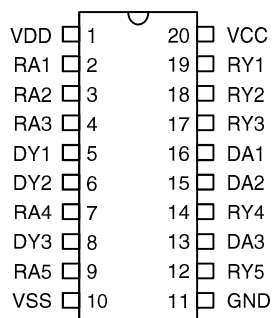
- Single-chip with easy interface between UART and serial port connector
- Three drivers and five receivers meet or exceed the requirements of EIA/TIA-232-D
- Driver output slew rate limited to 30V/ $\mu$ s max.
- Driver current-limited output: 10mA typ.
- Flexible supply voltage range
- ESD protection exceeds 3kV

### General Description

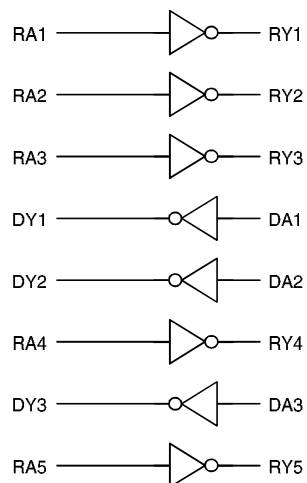
The HT6571 is a CMOS device containing three RS-232 line drivers, and five RS-232 line receivers that are used to interface data terminal

equipment (DTE) with data circuit-terminating equipment (DCE).

### Pin Assignment



### Block Diagram



**Absolute Maximum Ratings**

Supply Voltage (VSS VDD) .....	-15V~15V	Output Voltage Driver .....	-15V~15V
Supply Voltage (GND VCC) .....	-0.3V~5.5V	Receiver .....	0V~7V
Input Voltage Driver .....	0V~7V		
Receiver .....	-15V~15V		

**Electrical characteristics**

Symbol	Parameter	Test Condition			Min.	Typ.	Max.	Unit
		V <sub>DD</sub>	V <sub>CC</sub>	Condition				
V <sub>DD</sub>	Operation Voltage	—	—	—	7.5	9	15	V
V <sub>SS</sub>	Operation Voltage	—	—	—	-7.5	-9	-15	V
V <sub>CC</sub>	Operation Voltage	—	—	—	4.5	5	5.5	V
V <sub>IH1</sub>	Driver Input High	12V	5V		2	—	—	V
V <sub>IL1</sub>	Driver Input Low	12V	5V		—	—	0.8	V
V <sub>IH2</sub>	Receiver Input High	12V	5V		—	3	—	V
V <sub>IL2</sub>	Receiver Input Low	12V	5V		—	2	—	V
I <sub>OH1</sub>	Receiver Output Source Current	12V	5V	V <sub>O</sub> =2.4V	-1	-2	-3	mA
I <sub>OL1</sub>	Receiver Output Sink Current	12V	5V	V <sub>O</sub> =0.4V	+1	+2	+3	mA
I <sub>OS(H)</sub>	High-level Driver Short Current	12V	5V	V <sub>O</sub> =0V	-6	-10	-12	mA
I <sub>OS(L)</sub>	Low-level Driver Short Current	12V	5V	V <sub>O</sub> =0V	30	40	50	mA
S <sub>R1</sub>	Slew Rate	12V	5V	R <sub>L</sub> =7K $\Omega$ , C <sub>1</sub> =50pF	—	3	—	V/ $\mu$ s

**Application Circuit**

