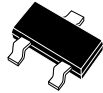


CMPS5061
 CMPS5062
 CMPS5063
 CMPS5064

**SURFACE MOUNT
 SILICON CONTROLLED RECTIFIER**



SOT-23 CASE

Central™

Semiconductor Corp.

DESCRIPTION:

The CENTRAL SEMICONDUCTOR CMPS5061 Series types are epoxy molded PNP Silicon Controlled Rectifiers manufactured in an SOT-23 case, designed for control systems and sensing circuit applications.

Marking codes are P2A, P2B, P2C, and P2D respectively.

MAXIMUM RATINGS (T_A=25°C)

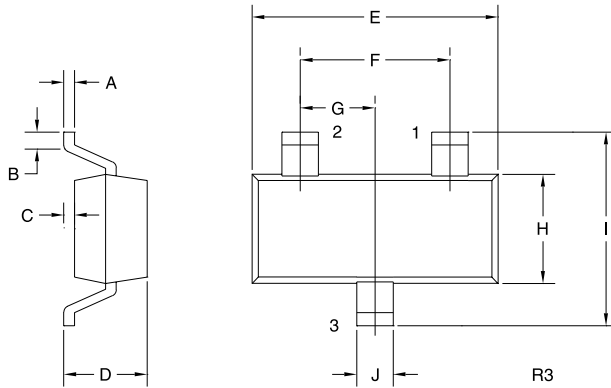
	SYMBOL	CMPS5061	CMPS5062	CMPS5063	CMPS5064	UNITS
Peak Repetitive Off-State Voltage	V _{DRM}	100	200	300	400	V
Peak Repetitive Reverse Voltage	V _{RRM}	100	200	300	400	V
RMS On-State Current	I _{T(RMS)}			0.8		A
Average On-State Current (T _C =67°C)	I _{T(AV)}			0.51		A
Power Dissipation	P _D			350		mW
Operating and Storage Junction Temperature	T _J , T _{stg}		-65 to +150			°C
Thermal Resistance	θ _{JA}		357			°C/W

ELECTRICAL CHARACTERISTICS (T_A=25°C unless otherwise noted)

SYMBOL	TEST CONDITIONS	CMPS5061				CMPS5062				CMPS5063				CMPS5064				UNITS
		MIN	MAX	MIN	MAX	MIN	MAX	MIN	MAX	MIN	MAX	MIN	MAX					
I _{DRM}	V _D =Rated V _{DRM} , R _{GK} =1KΩ			1.0		1.0			1.0			1.0			1.0	μA		
I _{RRM}	V _D =Rated V _{DRM} , R _{GK} =1KΩ			1.0		1.0			1.0			1.0			1.0	μA		
I _{DRM}	V _D =Rated V _{DRM} , R _{GK} =1KΩ, T _C =125°C			50		50			50			50			50	μA		
I _{RRM}	V _D =Rated V _{DRM} , R _{GK} =1KΩ, T _C =125°C			50		50			50			50			50	μA		
V _T	I _T =1.2A			1.7		1.7			1.7			1.7			1.7	V		
I _{GT}	V _D =7.0V, R _L =100Ω, R _{GK} =1KΩ			200		200			200			200			200	μA		
V _{GT}	V _D =7.0V, R _L =100Ω, R _{GK} =1KΩ			0.8		0.8			0.8			0.8			0.8	V		
V _{GD}	V _D = Rated V _{DRM} , R _L =100Ω, T _C =125°C	0.1				0.1						0.1			0.1	V		
I _H	V _D =7.0, R _{GK} =1KΩ			5.0		5.0			5.0			5.0			5.0	mA		
t _{ON}	V _D = Rated V _{DRM} , I _{GT} =1.0mA, R _{GK} =1.0Ω, di/dt=6.0A/μs			2.8 TYP		2.8 TYP			2.8 TYP			2.8 TYP			2.8 TYP	μs		

**SURFACE MOUNT
SILICON CONTROLLED RECTIFIER**

MECHANICAL OUTLINE - SOT-23



LEAD CODE:

- 1) CATHODE
- 2) GATE
- 3) ANODE

MARKING CODES:

- CMPS5061:P2A
- CMPS5062:P2B
- CMPS5063:P2C
- CMPS5064:P2D

DIMENSIONS				
SYMBOL	INCHES		MILLIMETERS	
	MIN	MAX	MIN	MAX
A	0.003	0.007	0.08	0.18
B	0.006	-	0.15	-
C	-	0.005	-	0.13
D	0.035	0.043	0.89	1.09
E	0.110	0.120	2.80	3.05
F	0.075		1.90	
G	0.037		0.95	
H	0.047	0.055	1.19	1.40
I	0.083	0.098	2.10	2.49
J	0.014	0.020	0.35	0.50

SOT-23 (REV: R3)