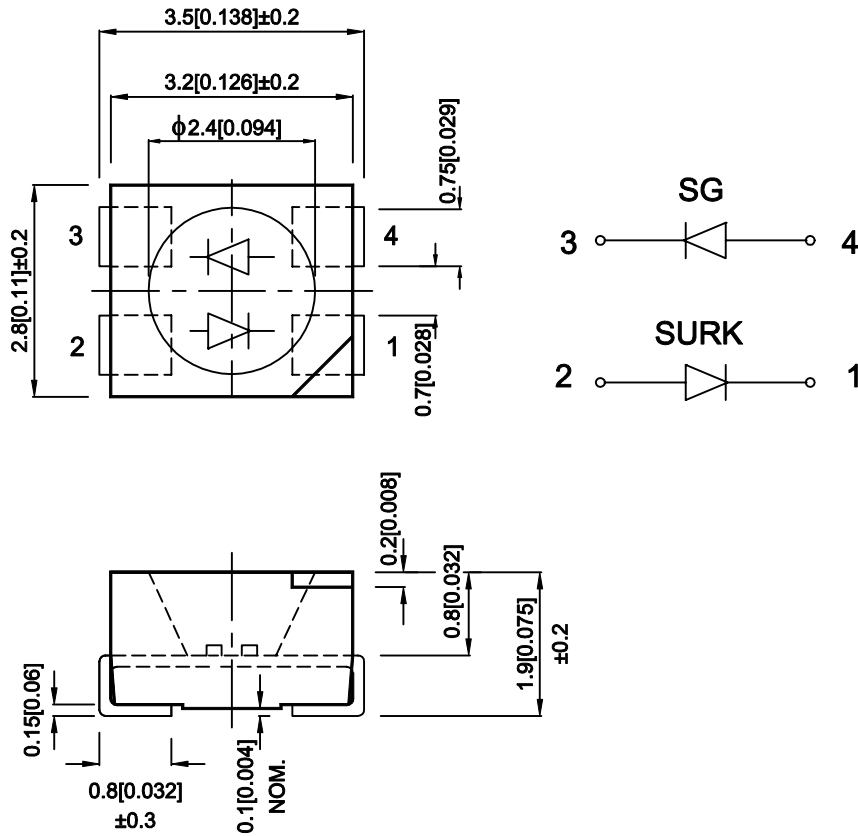


3.5X2.8mm SURFACE MOUNT LED LAMP



UNIT : MM[INCH]  
 TOLERANCE : ±0.25[±0.01] UNLESS OTHERWISE NOTED

**Selection Guide**

Part No.	Dice	Lens Type	Iv (mcd) @20mA		Viewing Angle
			Min.	Typ.	2θ 1/2
AAA3528SURKSGC	HYPER RED (InGaAlP)	WATER CLEAR	80	200	120°
	SUPER BRIGHT GREEN (GaP)		12	30	

APPROVED: J. Chuang	CHECKED: J. Chao	DRAWN : L.N. Sheu	SCALE : 10 : 1	DATA NO. : F2801 DATE : DEC/30/1999
------------------------	---------------------	----------------------	-------------------	--