



LB1825

Three-Phase Brushless Motor Driver

Overview

The LB1825 is a three-phase brushless motor driver IC optimal for LBP polygon mirror and magneto-optical disk spindle motor drive.

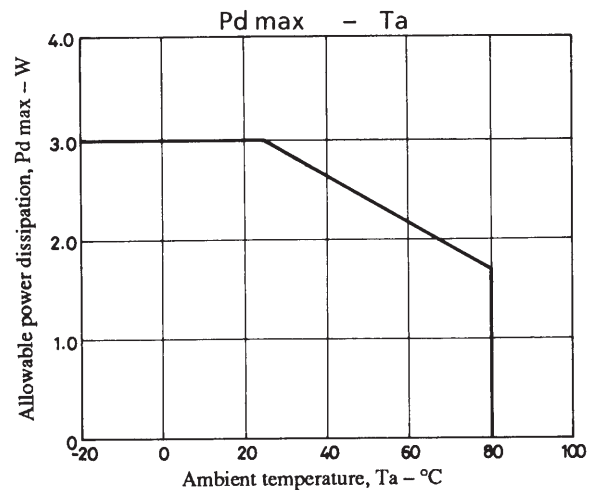
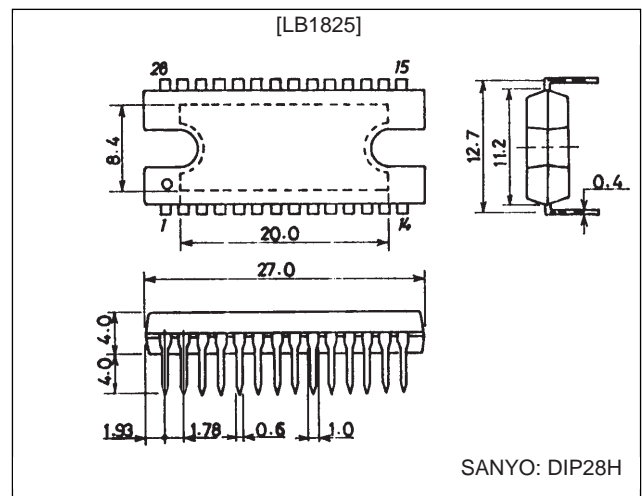
Functions and Features

- Three-phase full-wave current control drive
- PLL speed control
- Internal 24-mode clock divisor switching
- Phase lock detector output
- FG/Hall FG selection
- Current limiter circuit
- 7 V stabilized power supply output pin
- Reverse torque braking
- Crystal oscillator circuit
- Internal/external reference frequency selection
- Built-in FG amplifier and FG pulse output
- Forward/reverse rotation switching
- Low power supply voltage protection circuit
- Thermal protection circuit

Package Dimensions

unit: mm

3147A-DIP28H



Specifications

Absolute Maximum Ratings at Ta = 25°C

Parameter	Symbol	Conditions	Ratings	Unit
Maximum supply voltage	V _{CC} max		30	V
Maximum output current	I _O max	t < 0.1 s	2.0	A
Allowable power dissipation	Pd max1	Independent IC	3	W
	Pd max2	With an arbitrarily large heat sink	20	W
Operating temperature	T _{opr}		-20 to +80	°C
Storage temperature	T _{stg}		-55 to +150	°C

SANYO Electric Co.,Ltd. Semiconductor Business Headquarters

TOKYO OFFICE Tokyo Bldg., 1-10, 1 Chome, Ueno, Taito-ku, TOKYO, 110 JAPAN

LB1825

Allowable Operating Ranges at Ta = 25°C

Parameter	Symbol	Conditions	Ratings	Unit
Supply voltage	V _{CC}		10 to 28	V

Electrical Characteristics at Ta = 25°C, V_{CC} = 24 V

Parameter	Symbol	Conditions	min	typ	max	Unit
Current drain	I _{CC1}	Braking stopped mode		35	47	mA
	I _{CC2}	FG _{OUT1} stopped mode		35	47	mA
	I _{CC3}	External clock, braking stopped mode		28	40	mA
Output saturation voltage	Upper transistor (1)	V _O (sat)1 I _O = 1.0 A		1.0	1.6	V
	Upper transistor (2)	V _O (sat)2 I _O = 1.5 A		1.25	2.1	V
	Lower transistor (1)	V _O (sat)1 I _O = 1.0 A		0.6	1.0	V
	Lower transistor (2)	V _O (sat)2 I _O = 1.5 A		0.9	1.6	V
Output leakage current	I _O LEAK				100	μA
[Fixed voltage block]						
Output voltage	V _{REG}	I _{REG} = 20 mA	6.3	7.0	7.8	V
Output current	I _{REG}		20			mA
Load variation	ΔV _{REG}	I _{REG} = 0 to 20 mA			0.25	V
Temperature coefficient	αV _{REG}	Design target value		-2.0		mV/°C
[Hall input block]						
Input bias current	I _B (HA)			1	4	μA
Common-mode input range			1.5		V _{CC} - 1.8	V
Input sensitivity	DV _H				20	mV
Input offset voltage	V _{IOH}				20	mV
[Drive block]						
Dead zone width	V _{DZ}		50		200	mV
Output idling voltage	V _{ID}				6	mV
Forward gain	G _{DF} ⁺		0.4	0.5	0.6	
Reverse gain	G _{DF} ⁻		-0.6	-0.5	-0.4	
Accelerate command voltage	V _{STA}		6.0	6.3		V
Decelerate command voltage	V _{STO}			0.8	1.5	V
Forward limiter voltage	V _L ⁺	R _f = 1.8 Ω	0.45	0.53	0.61	V
Reverse limiter voltage	V _L ⁻	R _f = 1.8 Ω	0.45	0.53	0.61	V
[Phase comparator block]						
Output high level voltage	V _{PDH}	No external load	V _{REG} - 0.4			V
Output low level voltage	V _{PDL}	No external load			0.4	V
Output source current	I _{PD} ⁺		0.4			mA
Output sink current	I _{PD} ⁻		2.5			mA
[Error amplifier block]						
Input bias current	I _B (ER)				1	μA
Input offset voltage	V _{IO} (ER)		-10		+10	mV
Output high level voltage	V _{ERH}	No external load	5.5			V
Output low level voltage	V _{ERL}	No external load			1.0	V
[Lock detector block]						
Output saturation voltage	V _{LD} (sat)	I _{LD} = 10 mA			0.4	V
[FG amplifier block]						
Input bias current	I _B (FG)				1	μA
Input offset voltage	V _{IO} (FG)		-10		+10	mV
Output high level voltage	V _{FGH}	No external load	5.0			V
Output low level voltage	V _{FGL}	No external load			2.0	V
[FG Schmitt block]						
Input operating level	V _{IS}	FG _{OUT1} generation signal	160			mVp-p
Input hysteresis (high → low)	V _{SHL}	External clock, braking stopped mode		0		mV
Input hysteresis (low → high)	V _{SLH}	External clock, braking stopped mode		36		mV
Hysteresis	V _{FGS}		18	36	60	mV
Output saturation voltage	V _{FG2} (sat)	I _{FG2} = 10 mA			0.4	V

Continued on next page.

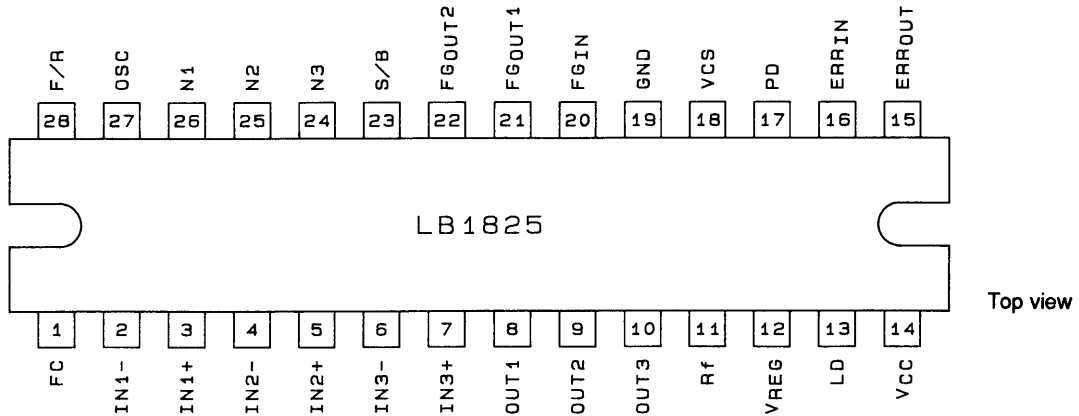
LB1825

Continued from preceding page.

Parameter	Symbol	Conditions	min	typ	max	Unit
[FG switching setting]						
Single Hall FG operating level	V_{FGIH}	FG_{IN} pin voltage	$V_{REG} - 0.1$		V_{REG}	V
Triple Hall FG operating level	V_{FGIL}	FG_{IN} pin voltage	0		0.1	V
[Stop mode setting]						
FG_{OUT1} low level voltage	V_{FG1L}				0.4	V
FG_{OUT1} low level current	I_{FG1L}	FG_{OUT1} pin voltage = 0 V		0.6	2.4	mA
[Current limiter]						
Reference voltage	V_{CS}	$R = 47\text{ k}\Omega$	0.51	0.58	0.65	V
External supply range	$V_{CS} (EX)$		0.7		3.0	V
Offset voltage	V_{CSO}	$R = 47\text{ k}\Omega, R_f = 1.8\ \Omega$	25	50	90	mV
[Signal block]						
Internal oscillator frequency	f_{OSC}	Crystal oscillator mode	1		12	MHz
External input frequency	f_{REF}	External clock mode	30		5000	Hz
Low level pin voltage	V_{OSCL}		4.0	4.5	5.0	V
High level pin current	I_{OSCH}		0.3	0.5	0.75	mA
[Divisor switching]						
Input high level voltage	$V_{N1\text{ to }3H}$		4.2		V_{REG}	V
Input middle level voltage	$V_{N1\text{ to }3M}$		2.1		2.9	V
Input low level voltage	$V_{N1\text{ to }3L}$		0		0.8	V
[F/R switching]						
Input high level voltage	V_{FRH}		2.4		V_{REG}	V
Input low level voltage	V_{FRL}		0		1.5	V
High level input current	I_{FRH}	F/R pin voltage = V_{REG}			0.22	mA
[S/B switching]						
Input high level voltage	V_{SBH}		2.4		V_{REG}	V
Input low level voltage	V_{SBL}				1.5	V
Hysteresis (high → low)	DV_{SB}		0.15	0.25	0.35	V
[Stop detection]						
Count setting	S_{CT1}	FG mode		32		
	S_{CT2}	Triple Hall FG mode		8		
	S_{CT3}	Single Hall FG mode		2		
[Undervoltage protection]						
Operating voltage	V_{SD}		8.4	8.8	9.2	V
Hysteresis	DV_{SD}		0.2	0.4	0.6	V
[Thermal protection]						
Operating temperature	T_{SD}	Design target value	150	180		°C
Recovery temperature	T_{SDR}	Design target value		140		°C
[Pin leakage currents]						
LD pin	$I_{LD} (LEAK)$	Pin voltage = 30 V			10	μA
FG_{OUT2} pin	$I_{FG2} (LEAK)$	Pin voltage = 30 V			10	μA
[GND pin-heat sink]						
Resistance		Design target value.			30	Ω

LB1825

Pin Assignment



A02355

Pin Functions

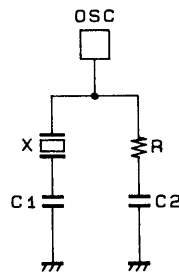
Pin No.	Symbol	Function	Notes
1	FC	Frequency characteristics correction	A capacitor must be inserted between pin 1 and ground.
2 to 7	IN1 ⁺ to IN3 ⁺ , IN1 ⁻ to IN3 ⁻	Hall element inputs	Taken as high when IN ⁺ > IN ⁻ , and as low otherwise.
8 to 10	OUT1 to OUT3	Outputs	
11	R _f	Output current detector	A capacitor must be inserted between pin 11 and ground.
12	V _{REG}	Stabilized power supply output	
13	LD	Phase lock detector output	On when the phase is locked. This pin is an open-collector output.
14	V _{CC}	Power supply	
15	ERR _{OUT}	Error amplifier output	
16	ERR _{IN}	Error amplifier input	
17	PD	Phase comparator output	
18	V _{CS}	Current limiter reference voltage generation	
19	GND	Ground	
20	FG _{IN}	FG amplifier input	Also functions as the Hall FG switching pin.
21	FG _{OUT1}	FG amplifier output	The LB1825 goes to stop mode when pin 21 is set low.
22	FG _{OUT2}	FG/Hall FG output	This pin is an open-collector output.
23	S/B	Brake command input	Braking is applied when pin 23 is set high.
24 to 26	N1 to N3	Reference frequency divisor switching	The clock divisor is set by the states of pins 24 to 26.
27	OSC	Crystal oscillator/external clock input	
28	F/R	Forward/reverse switching	

Clock Divisor Switching

Pin N1	Pin N2	Divisor (1)*I
L	L	*II
L	M	128
L	H	256
M	L	512
M	M	1024
M	H	2048
H	L	4096
H	M	8192
H	H	16384

Pin N3	Divisor (2)*I
L	5
M	4
H	3

Note: I. Total divisor = (divisor (1) × divisor (2))
 PLL servo frequency = (crystal oscillator frequency)/(total divisor)
 II. External clock mode
 The PLL servo frequency = external input frequency



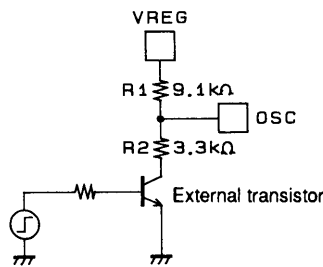
A02356

Figure 1 Pin Circuit for Internal Clock Mode

Table 1: External Component Values (reference values)

Crystal (MHz)	C1 (pF)	C2 (pF)	R (kΩ)
3 to 4	39	82	0.82
4 to 5	39	82	1.0
5 to 7	39	47	1.5
7 to 10	39	27	2.0

Use a crystal that has a ratio of at least 1:5 between the fundamental f0 impedance and the 3f0 impedance.



A02357

Figure 2 Pin Circuit for External Clock Mode

F/R Switching and Phase Selection

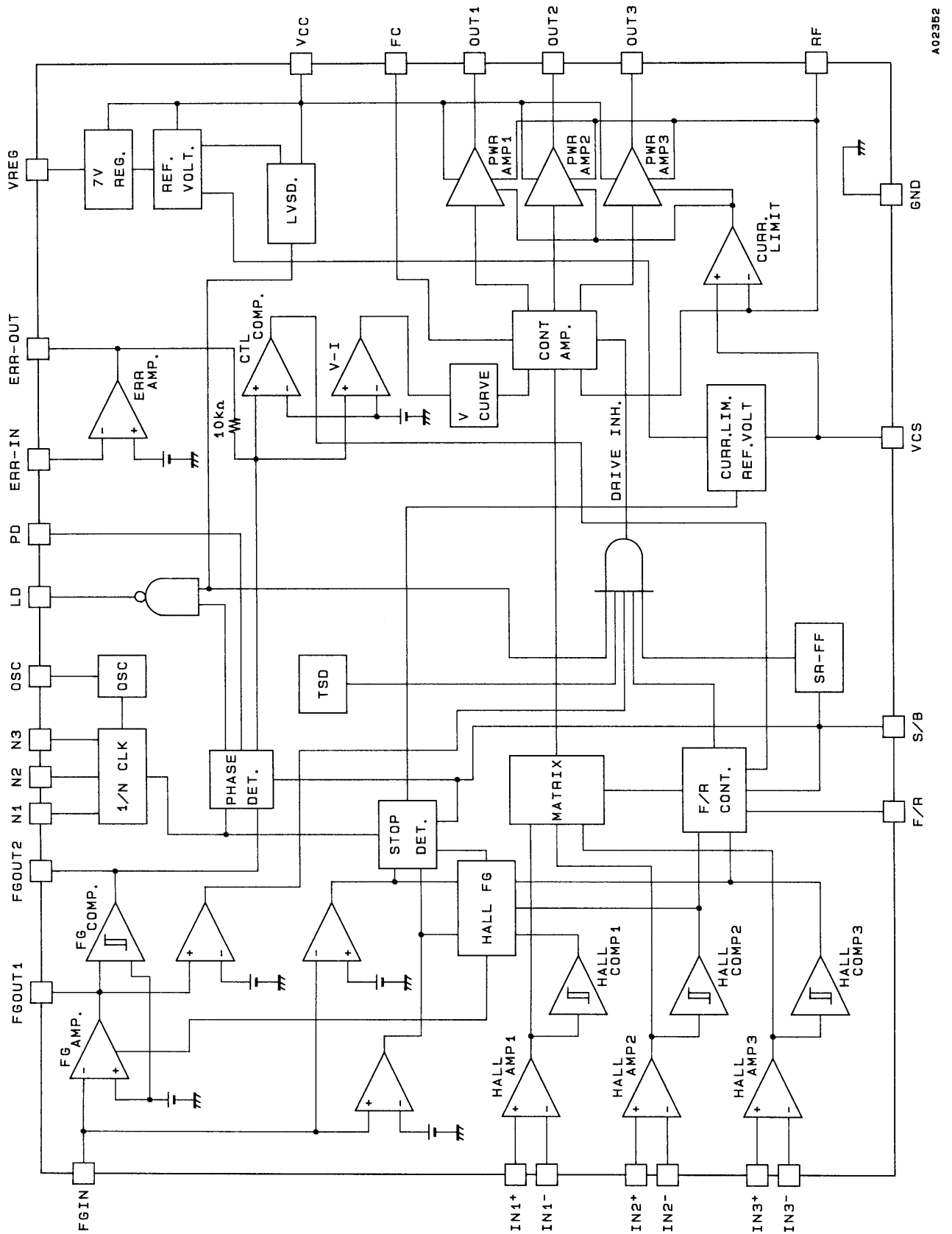
F/R	IN1	IN2	IN3	OUT1	OUT2	OUT3
L	H	H	L	M	H	L
	H	L	L	H	M	L
	H	L	H	H	L	M
	L	L	H	M	L	H
	L	H	H	L	M	H
	L	H	L	L	H	M
H	H	H	L	M	L	H
	H	L	L	L	M	H
	H	L	H	L	H	M
	L	L	H	M	H	L
	L	H	H	H	M	L
	L	H	L	H	L	M

Columns OUT1 to OUT3

H: Source

L: Sink

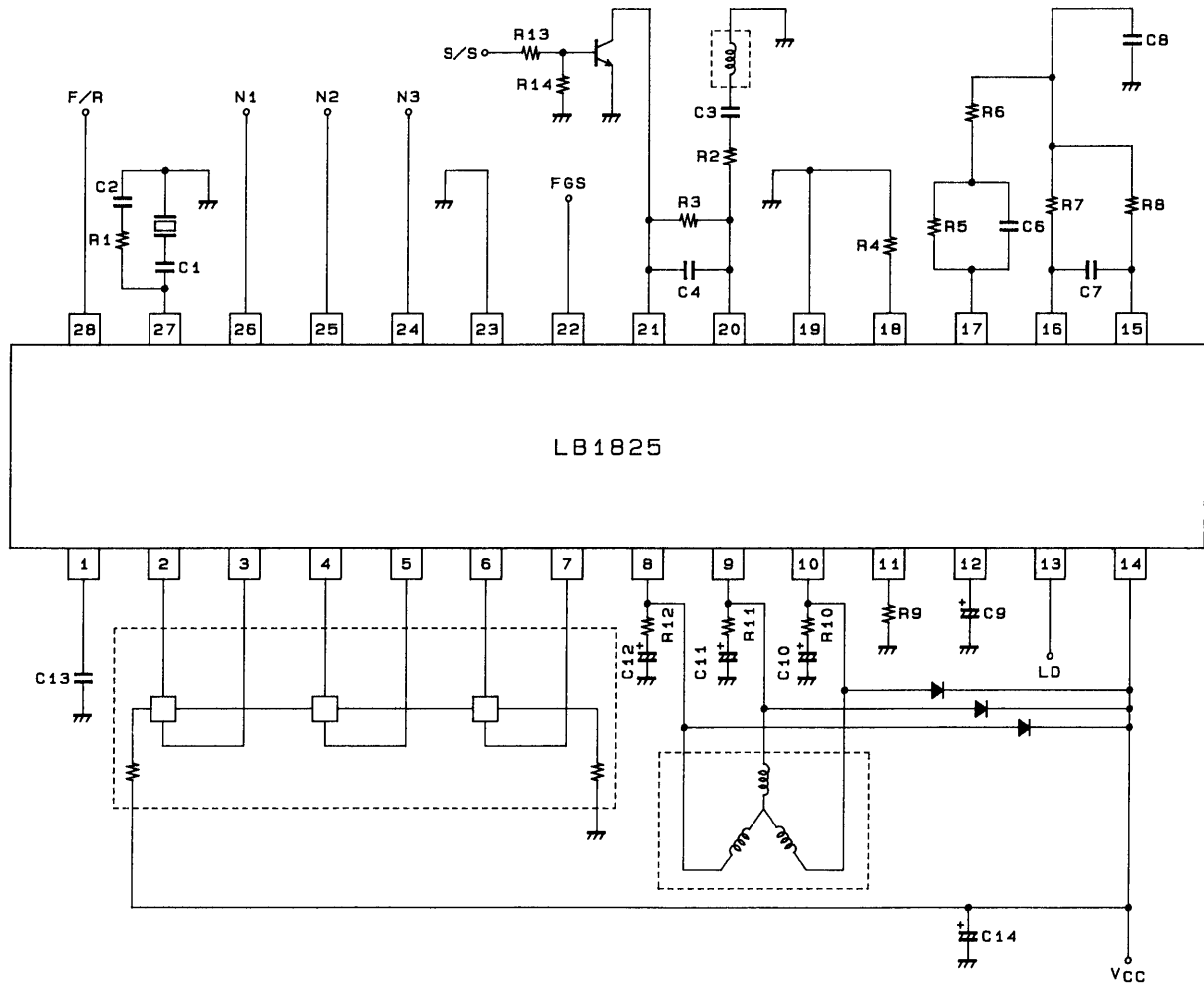
Equivalent Circuit Block Diagram



A02362

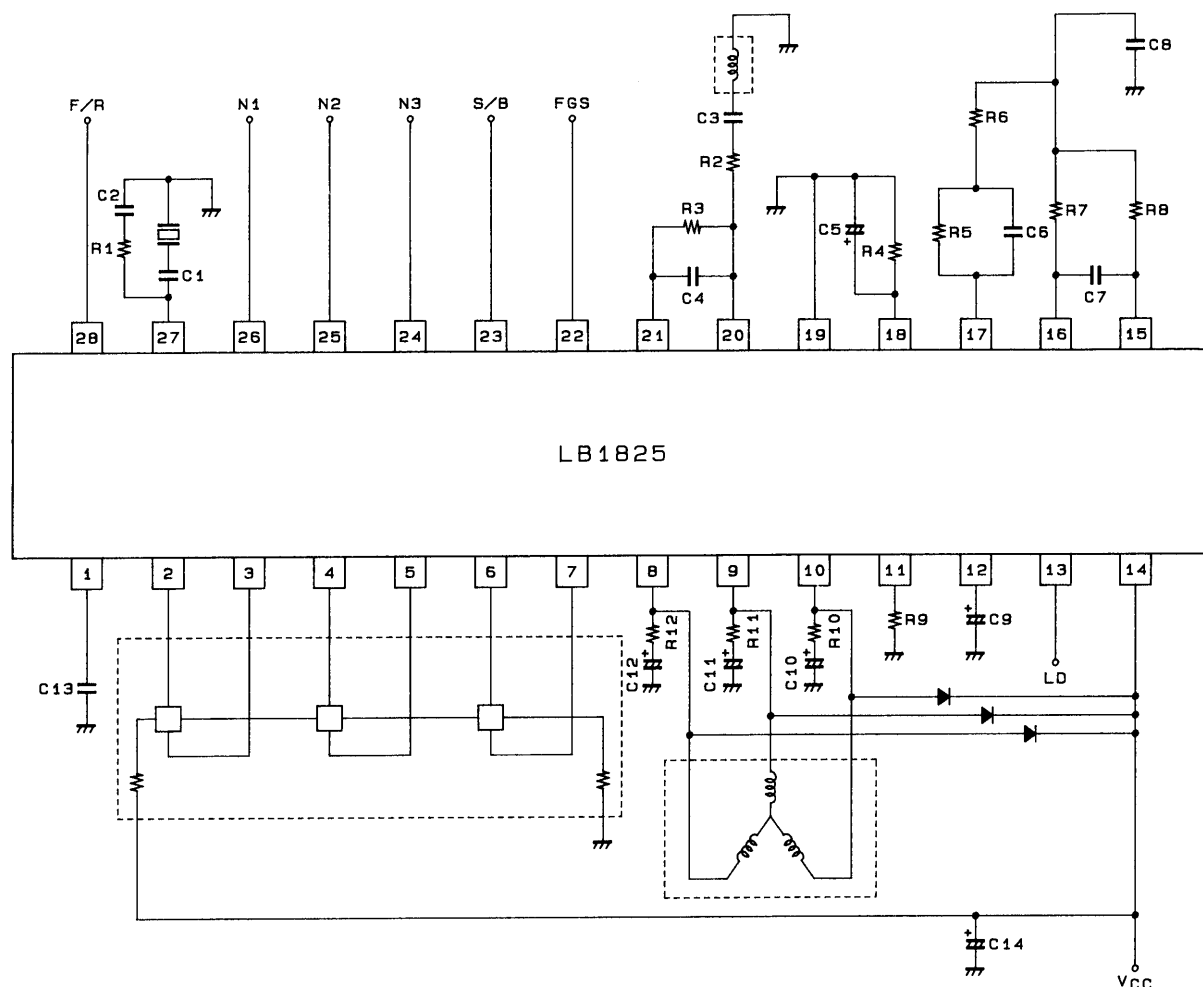
LB1825

Sample Application Circuit (Polygon Mirror Motor)



A02353

Sample Application Circuit (Optical Disk Spindle Motor)



A02354

Usage Notes

1. Position detector circuit (Hall element input circuit)

The position detection circuit consists of a differential amplifier, and will operate if a differential input of 40 mVp-p (minimum) is provided. However, an input of 100 mVp-p is desirable from the standpoint of noise and other problems.

The input DC level must be within the common mode input voltage range (1.5 to $(V_{CC} - 1.8)$ V).

2. Current limiter circuit

The output current limiter operates by holding the sink side output transistor in an unsaturated state. The current limit value can be calculated from the following formula.

$$I = V_{CS}/R_f$$

Where: $V_{CS} = 0.58$ V typical, R_f = The value of the resistor between pin 11 and ground.

3. FG input

The following three methods can be used to input the speed signal FG from the motor.

- The signal can be input to FG_{IN} through an amplifier. (FG mode)
- The Hall input IN1 can be used as the FG input. (single Hall FG mode)
This is set up by connecting FG_{IN} to V_{REG} .
- The composite signal from the IN1, IN2 and IN3 Hall inputs can be used as the FG input. (triple Hall FG mode)
This is set up by connecting FG_{IN} to ground.

4. Reference signal input circuit

- Internal clock mode (crystal oscillator)

The values of the external components associated with the crystal oscillator must be set up according to the frequency of the oscillator. (See Table 1.) To avoid trouble with the oscillator circuit, confirm the component values used with the oscillator's manufacturer.

- External clock mode

Use the external circuit shown in Figure 2 to input the clock signal when controlling the motor speed using a reference signal with the same frequency as FG.

5. Start/stop

When driving motors such as polygon mirror motors, the motor is normally stopped by turning off motor drive and putting the motor in the free-running state. For this type of motor, set the S/B pin low and attach an external transistor at FG_{OUT1} as shown in the Sample Application Circuit (Optical Disk Spindle Motor) figure to start and stop the drive. (Motor drive is turned off when FG_{OUT1} is low.)

6. Start/brake

When driving motors such as optical disk spindle motors, stopping is performed by applying some form of braking. In these applications it is necessary for the motor to decelerate briefly and come to a complete stop. See the Sample Application Circuit (Optical Disk Spindle Motor) figure for a sample circuit for this case. (The difference between this circuit and the circuit shown in the Sample Application Circuit (Optical Disk Spindle Motor) figure is the addition of the capacitor C5 to the S/B pin start/brake circuit.)

Braking Operation

This braking circuit applies full torque reverse rotation braking (in the current limited state) directly after the S/B pin is set low while the motor is turning. After that, the reverse torque is gradually decreased (according to the time constant determined by R4 and C5) at the points where the speed falls below the values listed below. This operation brings the disk to a full stop.

$$f_{3H} = f_{FG}/32 \text{ (FG mode)}$$

$$f_{3H} = f_{FG}/8 \text{ (Triple Hall FG mode)} \quad f_{3H}: \text{Triple Hall input composite frequency.}$$

$$f_{3H} = f_{FG}/2 \text{ (Single Hall FG mode)} \quad f_{FG}: \text{The FG frequency when locked}$$

Depending on the size of the disk and the motor torque the following adjustments may be required to improve the disk stopping characteristics.

1. Increase the time constant if the motor continues to rotate in the forward direction after the braking torque has gone to zero.
2. Decrease the time constant if the motor is observed to rotate in the reverse direction due to the braking operation.
3. A value of about 51 k Ω is recommended for R4. In particular, it should be under 100 k Ω .

■ No products described or contained herein are intended for use in surgical implants, life-support systems, aerospace equipment, nuclear power control systems, vehicles, disaster/crime-prevention equipment and the like, the failure of which may directly or indirectly cause injury, death or property loss.

■ Anyone purchasing any products described or contained herein for an above-mentioned use shall:

- ① Accept full responsibility and indemnify and defend SANYO ELECTRIC CO., LTD., its affiliates, subsidiaries and distributors and all their officers and employees, jointly and severally, against any and all claims and litigation and all damages, cost and expenses associated with such use:
- ② Not impose any responsibility for any fault or negligence which may be cited in any such claim or litigation on SANYO ELECTRIC CO., LTD., its affiliates, subsidiaries and distributors or any of their officers and employees jointly or severally.

■ Information (including circuit diagrams and circuit parameters) herein is for example only; it is not guaranteed for volume production. SANYO believes information herein is accurate and reliable, but no guarantees are made or implied regarding its use or any infringements of intellectual property rights or other rights of third parties.

This catalog provides information as of August, 1997. Specifications and information herein are subject to change without notice.