
HM621864HB Series

65536-word \times 18-bit High Speed CMOS Static RAM

HITACHI

ADE-203-739 (Z)
Preliminary
Rev. 0.0
Feb. 6, 1997

Description

The HM621864HB is an asynchronous high speed static RAM organized as 64-kword \times 18-bit. It realize high speed access time (15/20 ns) with employing 0.8 μm CMOS process and high speed circuit designing technology. It is most appropriate for the application which requires high speed, high density memory and wide bit width configuration, such as cache and buffer memory in system. The HM621864HB is packaged in 400-mil 44-pin SOJ for high density surface mounting.

Features

- Single 5 V supply
- Access time: 15/20 ns (max)
- Completely static memory
 - No clock or timing strobe required
- Equal access and cycle times
- Directly TTL compatible
 - All inputs and outputs
- 400-mil 44-pin SOJ package
- Center V_{CC} and V_{SS} type pinout

Ordering Information

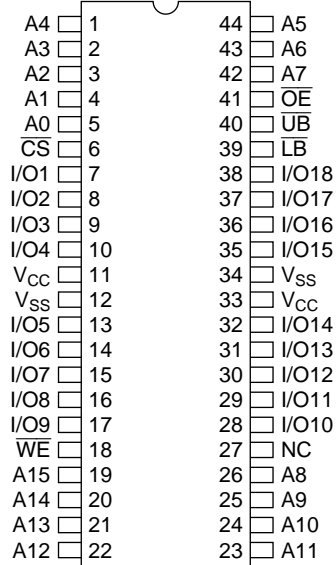
Type No.	Access time	Package
HM621864HBJP-15	15 ns	400-mil 44-pin plastic SOJ (CP-44D)
HM621864HBJP-20	20 ns	
HM621864HBLJP-15	15 ns	
HM621864HBLJP-20	20 ns	

Preliminary: This document contains information on a new product. Specifications and information contained herein are subject to change without notice.

HM621864HB Series

Pin Arrangement

HM621864HBJP/HBLJP Series

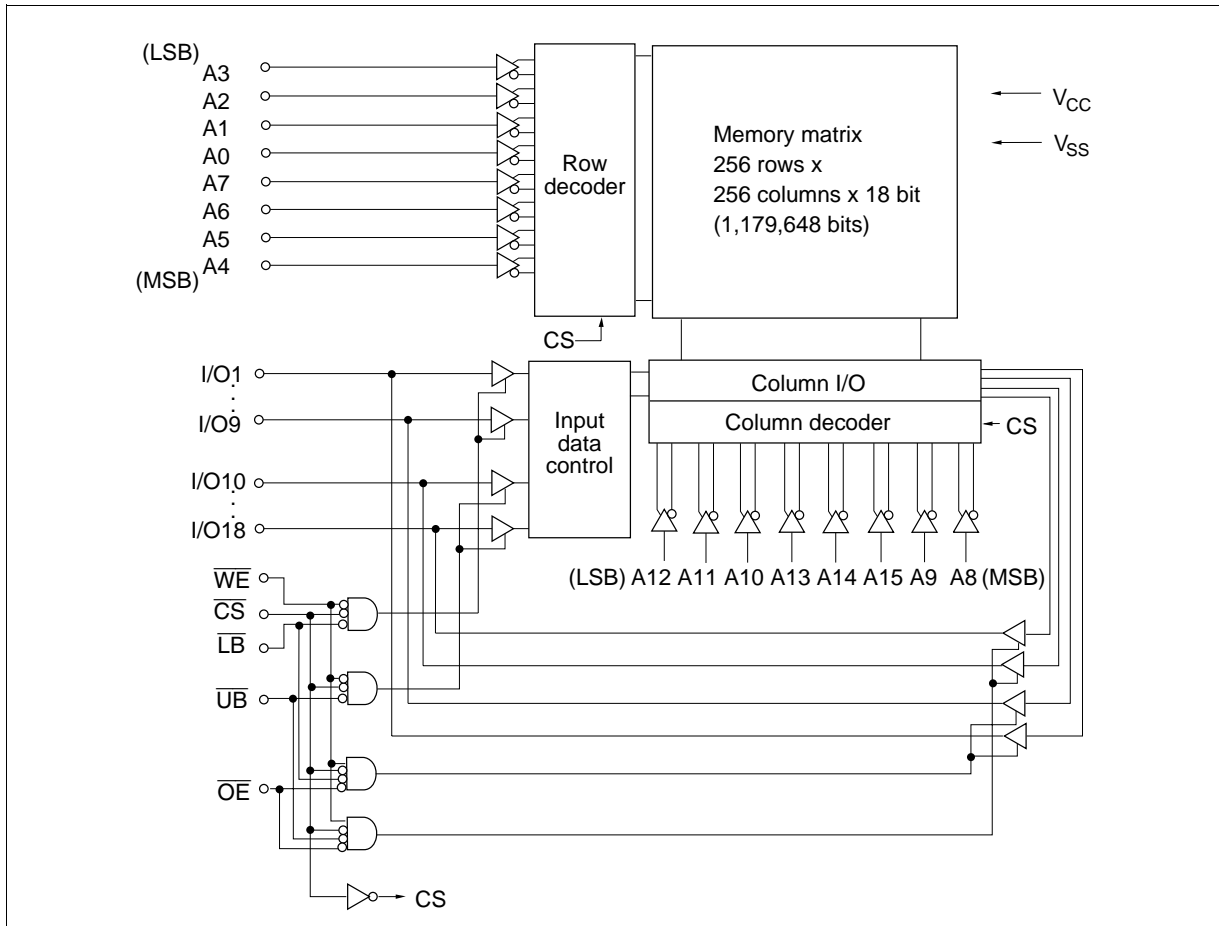


(Top View)

Pin Description

Pin name	Function
A0 – A15	Address input
I/O1 – I/O18	Data input/output
\overline{CS}	Chip select
\overline{OE}	Output enable
\overline{WE}	Write enable
\overline{UB}	Upper byte select
\overline{LB}	Lower byte select
V _{CC}	Power supply
V _{SS}	Ground
NC	No connection

Block Diagram



Function Table

\overline{CS}	\overline{OE}	\overline{WE}	\overline{LB}	\overline{UB}	Mode	V_{CC} current	I/O1-I/O9	I/O10-I/O18	Ref. cycle
H	x	x	x	x	Standby	I_{SB}, I_{SB1}	High-Z	High-Z	—
L	H	H	x	x	Output disable	I_{CC}	High-Z	High-Z	—
L	L	H	L	L	Read	I_{CC}	Output	Output	Read cycle
L	L	H	L	H	Lower byte read	I_{CC}	Output	High-Z	Read cycle
L	L	H	H	L	Upper byte read	I_{CC}	High-Z	Output	Read cycle
L	L	H	H	H	—	I_{CC}	High-Z	High-Z	—
L	x	L	L	L	Write	I_{CC}	Input	Input	Write cycle
L	x	L	L	H	Lower byte write	I_{CC}	Input	High-Z	Write cycle
L	x	L	H	L	Upper byte write	I_{CC}	High-Z	Input	Write cycle
L	x	L	H	H	—	I_{CC}	High-Z	High-Z	—

Note: x: H or L

Absolute Maximum Ratings

Parameter	Symbol	Value	Unit
Supply voltage relative to V_{SS}	V_{CC}	-0.5 to +7.0	V
Voltage on any pin relative to V_{SS}	V_T	-0.5*1 to $V_{CC} + 0.5$	V
Power dissipation	P_T	$1.0^{*2}/1.5^{*3}$	W
Operating temperature	T_{opr}	0 to +70	°C
Storage temperature	T_{stg}	-55 to +125	°C
Storage temperature under bias	T_{bias}	-10 to +85	°C

Notes: 1. V_T (min) = -2.5 V for pulse width (under shoot) ≤ 10 ns
2. At still air condition
3. At air flow ≥ 1.0 m/s

Recommended DC Operating Conditions ($T_a = 0$ to +70°C)

Parameter	Symbol	Min	Typ	Max	Unit
Supply voltage	V_{CC}^{*2}	4.5	5.0	5.5	V
	V_{SS}^{*3}	0	0	0	V
Input voltage	V_{IH}	2.2	—	$V_{CC} + 0.5$	V
	V_{IL}	-0.5*1	—	0.8	V

Notes: 1. -2.0 V for pulse width (under shoot) ≤ 10 ns
2. The supply voltage with all V_{CC} pins must be on the same level.
3. The supply voltage with all V_{SS} pins must be on the same level.

DC Characteristics ($T_a = 0$ to $+70^\circ\text{C}$, $V_{CC} = 5\text{ V} \pm 10\%$, $V_{SS} = 0\text{ V}$)

Parameter		Symbol	Min	Typ* ¹	Max	Unit	Test conditions
Input leakage current		$ I_{LI} $	—	—	2	μA	$V_{in} = V_{SS}$ to V_{CC}
Output leakage current* ¹		$ I_{LO} $	—	—	2	μA	$V_{in} = V_{SS}$ to V_{CC}
Operating power supply current	15 ns cycle	I_{CC}	—	160	180	mA	$\overline{CS} = V_{IL}$, $I_{out} = 0\text{ mA}$ Other inputs = V_{IH}/V_{IL}
	20 ns cycle	I_{CC}	—	130	150		
Standby power supply current	15 ns cycle	I_{SB}	—	55	100	mA	$\overline{CS} = V_{IH}$, Other inputs = V_{IH}/V_{IL}
	20 ns cycle	I_{SB}	—	45	80		
		I_{SB1}	—	—	2	mA	$V_{CC} \geq \overline{CS} \geq V_{CC} - 0.2\text{ V}$, (1) $0\text{ V} \leq V_{in} \leq 0.2\text{ V}$ or (2) $V_{CC} \geq V_{in} \geq V_{CC} - 0.2\text{ V}$
			—* ²	—* ²	0.2* ²		
Output voltage		V_{OL}	—	—	0.4	V	$I_{OL} = 8\text{ mA}$
		V_{OH}	2.4	—	—	V	$I_{OH} = -4\text{ mA}$

- Notes: 1. Typical values are at $V_{CC} = 5.0\text{ V}$, $T_a = +25^\circ\text{C}$ and not guaranteed.
 2. This characteristics is guaranteed only for L-version.

Capacitance ($T_a = +25^\circ\text{C}$, $f = 1.0\text{ MHz}$)

Parameter		Symbol	Min	Typ	Max	Unit	Test conditions
Input capacitance* ¹		C_{in}	—	—	6	pF	$V_{in} = 0\text{ V}$
Input/output capacitance* ¹		$C_{I/O}$	—	—	8	pF	$V_{I/O} = 0\text{ V}$

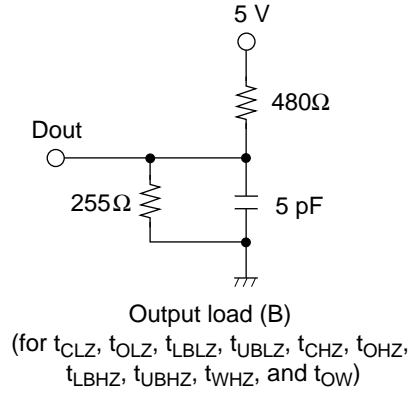
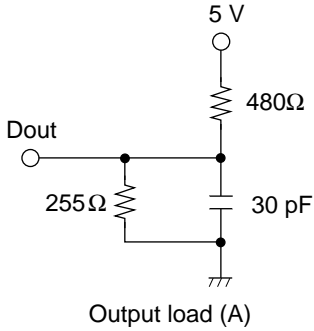
- Note: 1. This parameter is sampled and not 100% tested.

HM621864HB Series

AC Characteristics ($T_a = 0$ to $+70^\circ\text{C}$, $V_{CC} = 5\text{ V} \pm 10\%$, unless otherwise noted.)

Test Conditions

- Input pulse levels: 0 V to 3.0 V
- Input rise and fall time: 3 ns
- Input and output timing reference levels: 1.5 V
- Output load: See figures (Including scope and jig)



Read Cycle

Parameter	Symbol	HM621864HB-15		HM621864HB-20		Unit	Notes
		Min	Max	Min	Max		
Read cycle time	t_{RC}	15	—	20	—	ns	
Address access time	t_{AA}	—	15	—	20	ns	
Chip select access time	t_{ACS}	—	15	—	20	ns	
Output enable to output valid	t_{OE}	—	8	—	10	ns	
Byte select to output valid	t_{LB} , t_{UB}	—	8	—	10	ns	
Output hold from address change	t_{OH}	5	—	5	—	ns	
Chip select to output in low-Z	t_{CLZ}	3	—	3	—	ns	1
Output enable to output in low-Z	t_{OLZ}	1	—	1	—	ns	1
Byte select to output in low-Z	t_{LBLZ} , t_{UBLZ}	1	—	1	—	ns	1
Chip deselect to output in high-Z	t_{CHZ}	—	7	—	7	ns	1
Output disable to output in high-Z	t_{OHZ}	—	7	—	7	ns	1
Byte deselect to output in high-Z	t_{LBHZ} , t_{UBHZ}	—	7	—	7	ns	1

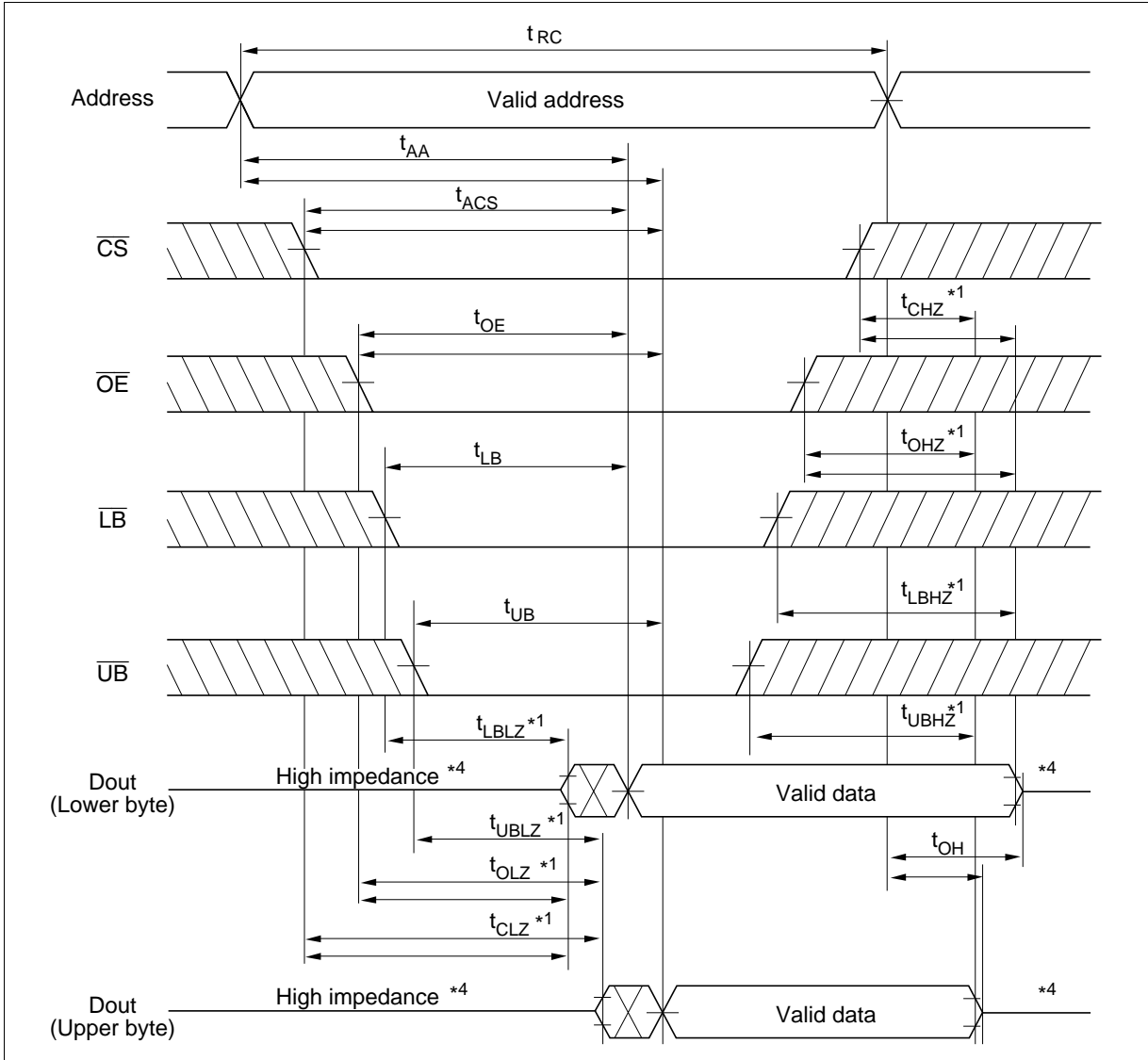
Write Cycle

Parameter	Symbol	HM621864HB-15		HM621864HB-20		Unit	Notes
		Min	Max	Min	Max		
Write cycle time	t_{WC}	15	—	20	—	ns	
Address valid to end of write	t_{AW}	12	—	15	—	ns	
Chip select to end of write	t_{CW}	10	—	12	—	ns	8
Write pulse width	t_{WP}	10	—	12	—	ns	7
Byte select to end of write	t_{LBW}, t_{UBW}	10	—	12	—	ns	9, 10
Address setup time	t_{AS}	0	—	0	—	ns	5
Write recovery time	t_{WR}	0	—	0	—	ns	6
Data to write time overlap	t_{DW}	8	—	10	—	ns	
Data hold from write time	t_{DH}	0	—	0	—	ns	
Write disable to output in low-Z	t_{OW}	3	—	3	—	ns	1
Output disable to output in high-Z	t_{OHZ}	—	7	—	7	ns	1
Write enable to output in high-Z	t_{WHZ}	—	7	—	7	ns	1

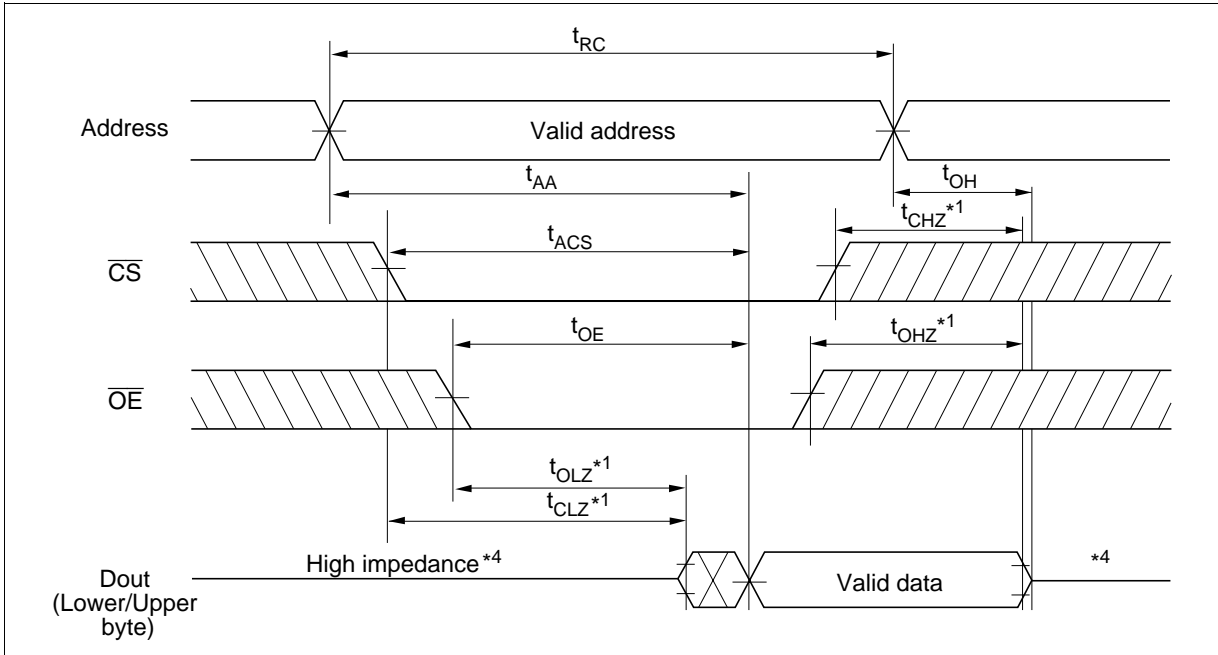
- Notes: 1. Transition is measured ± 200 mV from steady voltage with Load (B). This parameter is sampled and not 100% tested.
2. If the \overline{CS} or \overline{LB} or \overline{UB} low transition occurs simultaneously with the \overline{WE} low transition or after the \overline{WE} transition, output remains a high impedance state.
3. \overline{WE} and/or \overline{CS} must be high during address transition time.
4. If \overline{CS} , \overline{OE} , \overline{LB} and \overline{UB} are low during this period, I/O pins are in the output state. Then the data input signals of opposite phase to the outputs must not be applied to them.
5. t_{AS} is measured from the latest address transition to the latest of \overline{CS} , \overline{WE} , \overline{LB} or \overline{UB} going low.
6. t_{WR} is measured from the earliest of \overline{CS} , \overline{WE} , \overline{LB} or \overline{UB} going high to the first address transition.
7. A write occurs during the overlap of low \overline{CS} , low \overline{WE} and low \overline{LB} or low \overline{UB} .
8. t_{CW} is measured from the later of \overline{CS} going low to the end of write.
9. t_{LBW} is measured from the later of \overline{LB} going low to the end of write.
10. t_{UBW} is measured from the later of \overline{UB} going low to the end of write.

Timing Waveforms

Read Timing Waveform (1) ($\overline{WE} = V_{IH}$)

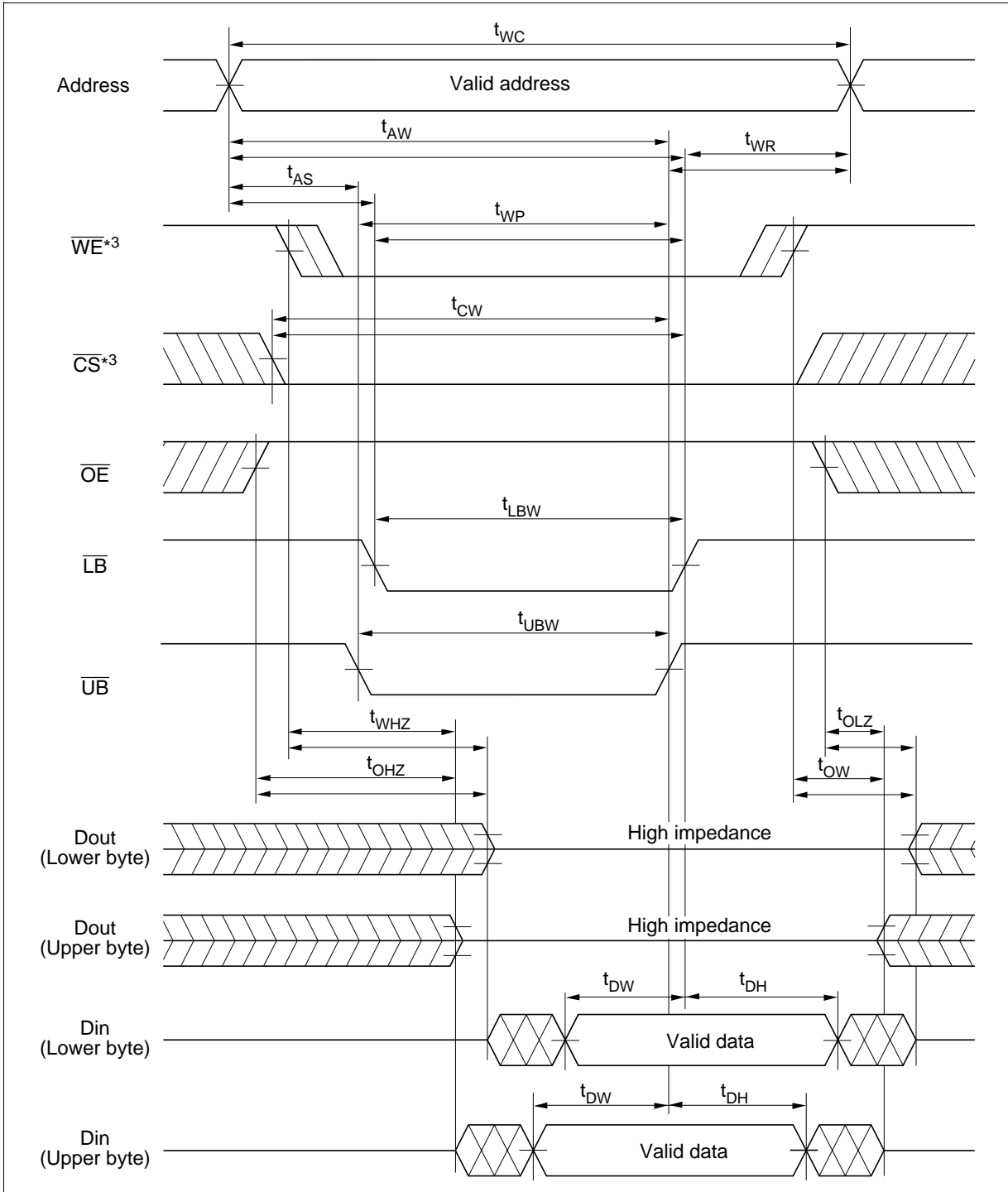


Read Timing Waveform (2) ($\overline{WE} = V_{IH}$, $\overline{LB} = V_{IL}$, $\overline{UB} = V_{IL}$)

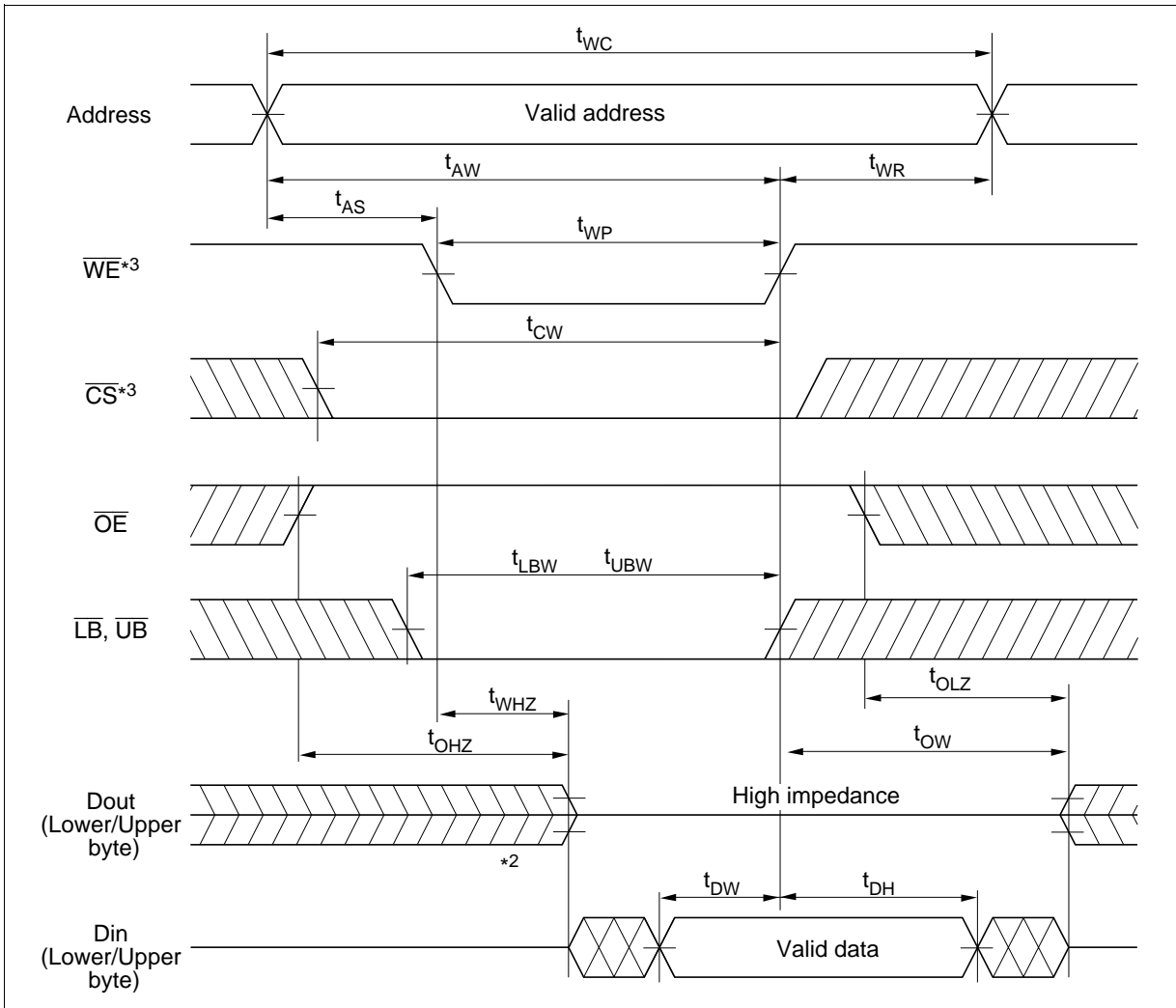


HM621864HB Series

Write Timing Waveform (1) ($\overline{\text{LB}}$, $\overline{\text{UB}}$ Controlled)

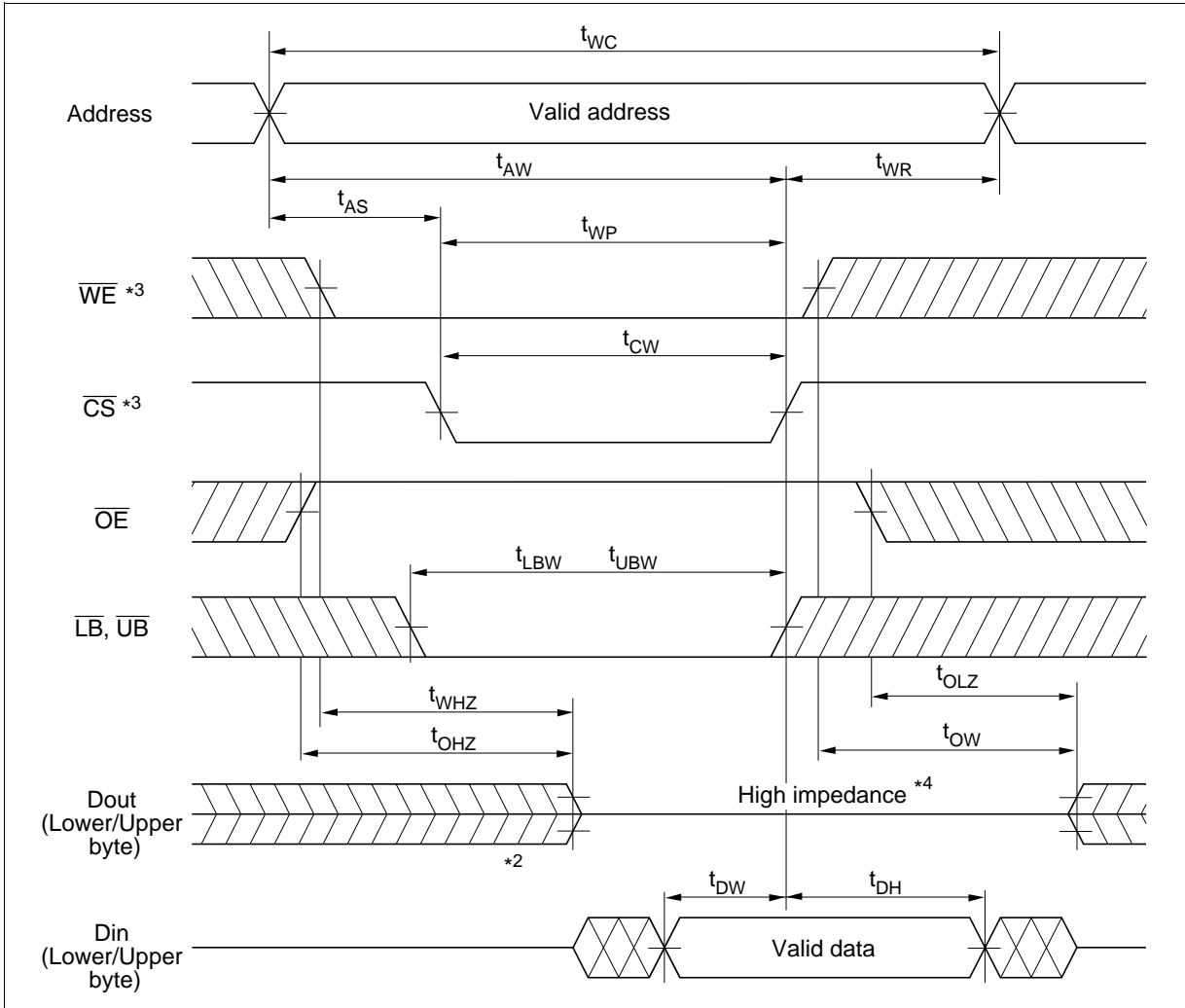


Write Timing Waveform (2) (\overline{WE} Controlled)



HM621864HB Series

Write Timing Waveform (3) (\overline{CS} Controlled)



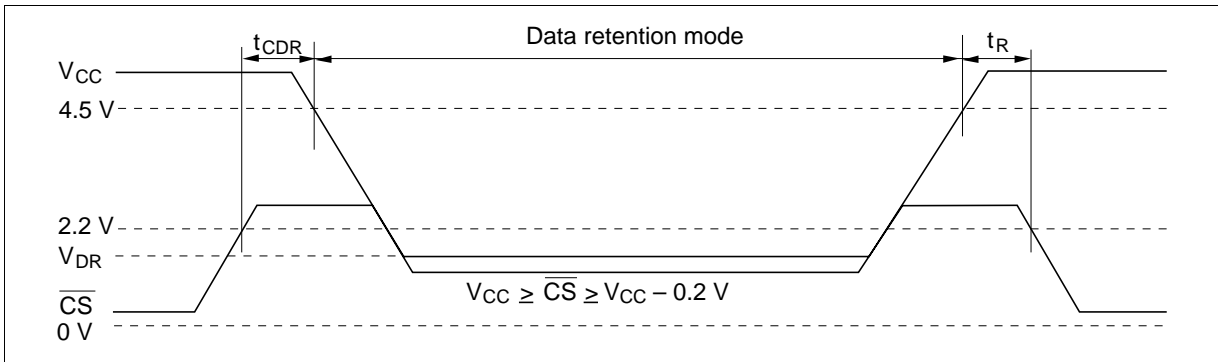
Low V_{CC} Data Retention Characteristics ($T_a = 0$ to $+70^\circ\text{C}$)

This characteristics is guaranteed only for L-version.

Parameter	Symbol	Min	Typ*1	Max	Unit	Test conditions
V_{CC} for data retention	V_{DR}	2.0	—	—	V	$V_{CC} \geq \overline{CS} \geq V_{CC} - 0.2$ V, (1) $0 \text{ V} \leq V_{in} \leq 0.2 \text{ V}$ or (2) $V_{CC} \geq V_{in} \geq V_{CC} - 0.2 \text{ V}$
Data retention current	I_{CCDR}	—	2	80	μA	$V_{CC} = 3 \text{ V}$ $V_{CC} \geq \overline{CS} \geq V_{CC} - 0.2 \text{ V}$, (1) $0 \text{ V} \leq V_{in} \leq 0.2 \text{ V}$ or (2) $V_{CC} \geq V_{in} \geq V_{CC} - 0.2 \text{ V}$
Chip deselect to data retention time	t_{CDR}	0	—	—	ns	See retention waveform
Operation recovery time	t_R	5	—	—	ms	

Note: 1. Typical values are at $V_{CC} = 3.0 \text{ V}$, $T_a = +25^\circ\text{C}$, and not guaranteed.

Low V_{CC} Data Retention Timing Waveform

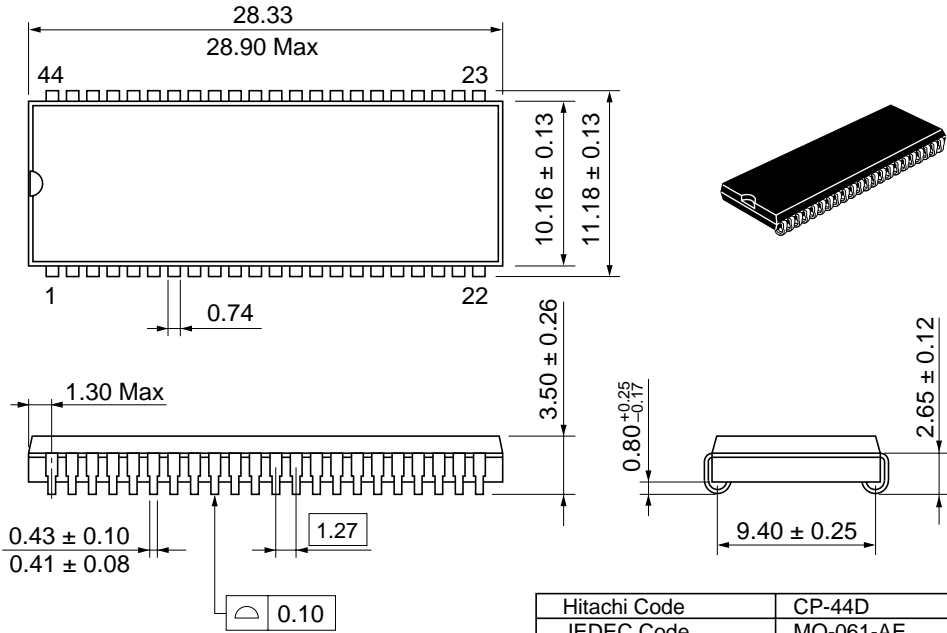


HM621864HB Series

Package Dimensions

HM621864HBJP/HBLJP Series (CP-44D)

Unit: mm



Hitachi Code	CP-44D
JEDEC Code	MO-061-AE
EIAJ Code	—
Weight	1.8 g

When using this document, keep the following in mind:

1. This document may, wholly or partially, be subject to change without notice.
2. All rights are reserved: No one is permitted to reproduce or duplicate, in any form, the whole or part of this document without Hitachi's permission.
3. Hitachi will not be held responsible for any damage to the user that may result from accidents or any other reasons during operation of the user's unit according to this document.
4. Circuitry and other examples described herein are meant merely to indicate the characteristics and performance of Hitachi's semiconductor products. Hitachi assumes no responsibility for any intellectual property claims or other problems that may result from applications based on the examples described herein.
5. No license is granted by implication or otherwise under any patents or other rights of any third party or Hitachi, Ltd.
6. **MEDICAL APPLICATIONS:** Hitachi's products are not authorized for use in **MEDICAL APPLICATIONS** without the written consent of the appropriate officer of Hitachi's sales company. Such use includes, but is not limited to, use in life support systems. Buyers of Hitachi's products are requested to notify the relevant Hitachi sales offices when planning to use the products in **MEDICAL APPLICATIONS**.

HITACHI

Hitachi, Ltd.

Semiconductor & IC Div.
Nippon Bldg., 2-6-2, Ohte-machi, Chiyoda-ku, Tokyo 100, Japan
Tel: Tokyo (03) 3270-2111
Fax: (03) 3270-5109

For further information write to:

Hitachi America, Ltd.
Semiconductor & IC Div.
2000 Sierra Point Parkway
Brisbane, CA. 94005-1835
U S A
Tel: 415-589-8300
Fax: 415-583-4207

Hitachi Europe GmbH
Electronic Components Group
Continental Europe
Domacher Straße 3
D-85622 Feldkirchen
München
Tel: 089-9 91 80-0
Fax: 089-9 29 30 00

Hitachi Europe Ltd.
Electronic Components Div.
Northern Europe Headquarters
Whitebrook Park
Lower Cookham Road
Maidenhead
Berkshire SL6 8YA
United Kingdom
Tel: 0628-585000
Fax: 0628-778322

Hitachi Asia Pte. Ltd.
16 Collyer Quay #20-00
Hitachi Tower
Singapore 0104
Tel: 535-2100
Fax: 535-1533

Hitachi Asia (Hong Kong) Ltd.
Unit 706, North Tower,
World Finance Centre,
Harbour City, Canton Road
Tsim Sha Tsui, Kowloon
Hong Kong
Tel: 27359218
Fax: 27306071

HM621864HB Series

Revision Record

Rev.	Date	Contents of Modification	Drawn by	Approved by
0.0	Feb. 6, 1997	Initial issue		
