

32768-word × 8-bit High Speed CMOS Static RAM

Features

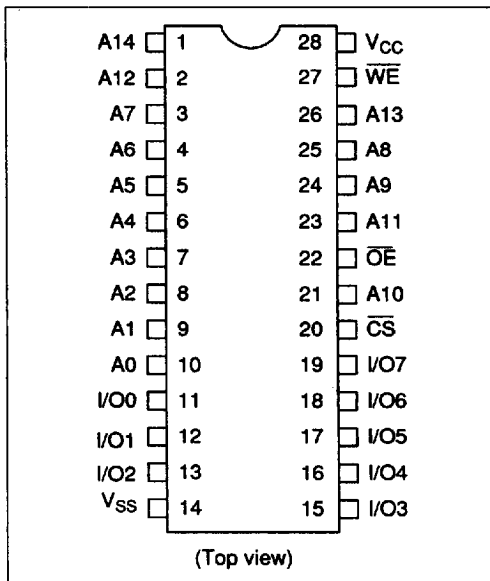
- High speed: Fast access time 85/100/120/150 ns (max)
- Low power standby and low power operation
 - Standby: 200 μ W (typ)/ 10 μ W (typ) (L-/L-SL-version)
 - Operation: 40 mW (typ) ($f = 1$ MHz)
- Single 5 V supply
- Completely static RAM: No clock or timing strobe required
- Equal access and cycle time
- Common data input and output, three-state output
- Directly TTL compatible—all inputs and outputs
- Battery back up operation capability (L-/L-SL-version)

Ordering Information

Type No.	Access time	Package
HM62256P-8	85 ns	600-mil 28-pin plastic DIP
HM62256P-10	100 ns	(DP-28)
HM62256P-12	120 ns	
HM62256P-15	150 ns	
HM62256LP-8	85 ns	
HM62256LP-10	100 ns	
HM62256LP-12	120 ns	
HM62256LP-15	150 ns	
HM62256LP-10SL	100 ns	
HM62256LP-12SL	120 ns	
HM62256LP-15SL	150 ns	

Type No.	Access time	Package
HM62256FP-8T	85 ns	28-pin plastic SOP
HM62256FP-10T	100 ns	(FP-28DA)
HM62256FP-12T	120 ns	
HM62256FP-15T	150 ns	
HM62256LFP-8T	85 ns	
HM62256LFP-10T	100 ns	
HM62256LFP-12T	120 ns	
HM62256LFP-15T	150 ns	
HM62256LFP-10SLT	100 ns	
HM62256LFP-12SLT	120 ns	
HM62256LFP-15SLT	150 ns	

Pin Arrangement



5

Note: This device is not available for new application.

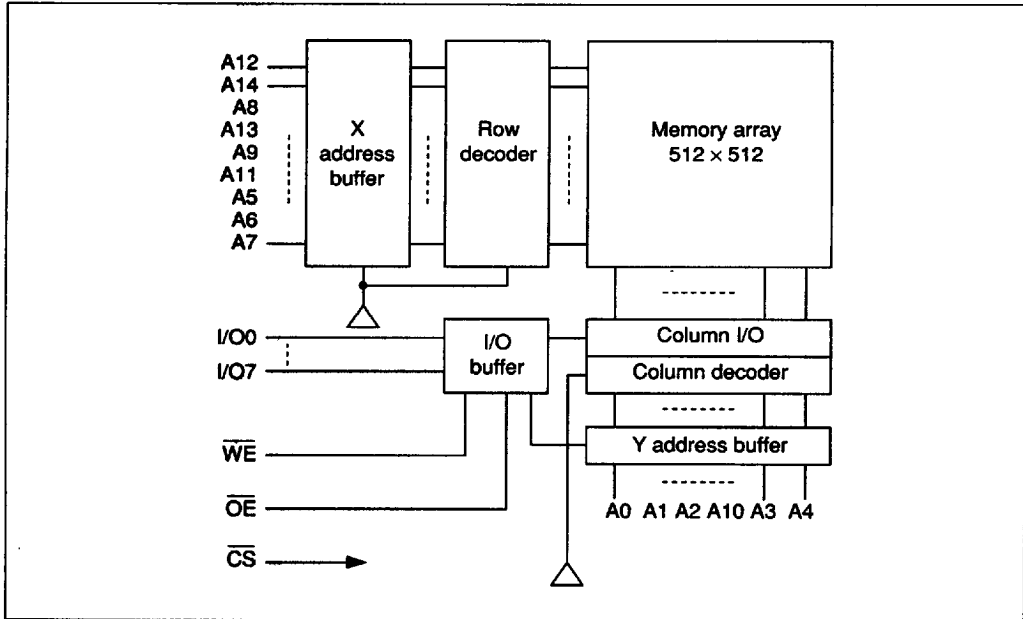
4496203 0024947 126 **HITACHI**

Hitachi America, Ltd. • Hitachi Plaza • 2000 Sierra Point Pkwy. • Brisbane, CA 94005-1819 • (415) 589-8300

5-13

HM62256 Series

Block Diagram



Truth Table

\overline{CS}	\overline{OE}	\overline{WE}	Mode	V_{CC} current	I/O pin	Reference cycle
H	x	x	Not selected	I_{SB}, I_{SB1}	High Z	—
L	L	H	Read	I_{CC}	Dout	Read cycle No. 1-3
L	H	L	Write	I_{CC}	Din	Write cycle No. 1
L	L	L	Write	I_{CC}	Din	Write cycle No. 2

Note: x means H or L

4496203 0024948 062

HITACHI

5-14

Hitachi America, Ltd. • Hitachi Plaza • 2000 Sierra Point Pkwy. • Brisbane, CA 94005-1819 • (415) 589-8300

Absolute Maximum Ratings

Parameter	Symbol	Rating	Unit
Voltage on any pin relative to V _{SS}	V _T	-0.5 to +7.0	V
Power dissipation	P _T	1.0	W
Operating temperature	T _{opr}	0 to +70	°C
Storage temperature	T _{stg}	-55 to +125	°C
Temperature under bias	T _{bias}	-10 to +85	°C

Note: -3.0 V min for pulse width ≤ 50 ns

Recommended DC Operating Conditions (Ta = 0 to +70°C)

Parameter	Symbol	Min	Typ	Max	Unit
Supply voltage	V _{CC}	4.5	5.0	5.5	V
	V _{SS}	0	0	0	V
Input voltage	V _{IH}	2.2	—	6.0	V
	V _{IL}	-0.5	—	0.8	V

Note: -3.0 V min for pulse width ≤ 50 ns

DC Characteristics (V_{CC} = 5 V ± 10%, V_{SS} = 0 V, Ta = 0 to +70°C)

Parameter	Symbol	Min	Typ *1	Max	Unit	Test condition	
Input leakage current	I _{LI}	—	—	2	μA	V _{IN} = V _{SS} to V _{CC}	
Output leakage current	I _{LO}	—	—	2	μA	CS = V _{IH} or OE = V _{IH} or WE = V _{IL} V _{I/O} = V _{SS} to V _{CC}	
Operating power supply current	I _{CC}	—	8	15	mA	CS = V _{IL} , I _{I/O} = 0 mA	
Average operating power supply current	HM62256-8	I _{CC1}	—	50	70	mA	Min. cycle, duty = 100%, CS = V _{IL} , I _{I/O} = 0 mA
	HM62256-10	—	—	40	70	mA	
	HM62256-12	—	—	35	70	mA	
	HM62256-15	—	—	33	70	mA	
		I _{CC2}	—	8	15	mA	CS = V _{IL} , V _{IH} = V _{CC} , V _{IL} = 0V, I _{I/O} = 0 mA f = 1 MHz

5

4496203 0024949 TT9 **HITACHI**

Hitachi America, Ltd. • Hitachi Plaza • 2000 Sierra Point Pkwy. • Brisbane, CA 94005-1819 • (415) 589-8300

5-15

HM62256 Series

DC Characteristics ($V_{CC} = 5\text{ V} \pm 10\%$, $V_{SS} = 0\text{ V}$, $T_a = 0\text{ to }+70^\circ\text{C}$) (cont)

Parameter	Symbol	Min	Typ ^{*1}	Max	Unit	Test condition
Standby power supply current	I_{SB}	—	0.5	3	mA	$\overline{CS} = V_{IH}$
	I_{SB1}	—	0.04	2	mA	$\overline{CS} \geq V_{CC} - 0.2\text{V}$, $0\text{V} \leq V_{IN}$
	—	—	2 ^{*2}	100 ^{*2}	μA	
	—	—	2 ^{*3}	50 ^{*3}		
Output voltage	V_{OL}	—	—	0.4	V	$I_{OL} = 2.1\text{ mA}$
	V_{OH}	2.4	—	—	V	$I_{OH} = -1.0\text{ mA}$

- Notes: 1. Typical values are at $V_{CC} = 5.0\text{ V}$, $T_a = 25^\circ\text{C}$ and specified loading.
2. These characteristics are guaranteed only for L-version.
3. These characteristics are guaranteed only for L-SL version.

Capacitance ($T_a = 25^\circ\text{C}$, $f = 1\text{ MHz}$)

Parameter	Symbol	Typ	Max	Unit	Test Condition
Input capacitance	C_{IN}	—	6	pF	$V_{IN} = 0\text{ V}$
Input/output capacitance	$C_{I/O}$	—	8	pF	$V_{I/O} = 0\text{ V}$

Note: These parameters are sampled and not 100% tested.

AC Characteristics ($V_{CC} = 5\text{ V} \pm 10\%$, $T_a = 0\text{ to }+70^\circ\text{C}$ unless otherwise noted)

AC Test Conditions:

- Input pulse levels: 0.8 V to 2.4 V
- Input and output timing reference levels: 1.5 V
- Input rise and fall times: 5 ns
- Output load: 1TTL gate and $C_L = 100\text{ pF}$ (including scope and jig)

4496203 0024950 710

HITACHI

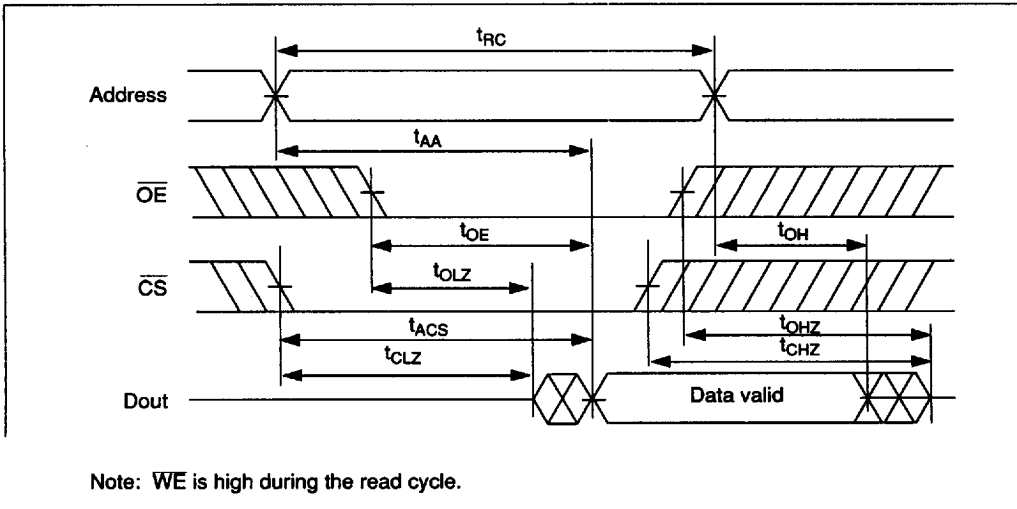
5-16

Hitachi America, Ltd. • Hitachi Plaza • 2000 Sierra Point Pkwy. • Brisbane, CA 94005-1819 • (415) 589-8300

Read Cycle

Parameter	Symbol	HM62256-8		HM62256-10		HM62256-12		HM62256-15		Unit
		Min	Max	Min	Max	Min	Max	Min	Max	
Read cycle time	t_{RC}	85	—	100	—	120	—	150	—	ns
Address access time	t_{AA}	—	85	—	100	—	120	—	150	ns
Chip select access time	t_{ACS}	—	85	—	100	—	120	—	150	ns
Output enable to output valid	t_{OE}	—	45	—	50	—	60	—	70	ns
Output hold from address change	t_{OH}	5	—	10	—	10	—	10	—	ns
Chip selection to output in low Z	t_{CLZ}	10	—	10	—	10	—	10	—	ns
Output enable to output in low Z	t_{OLZ}	5	—	5	—	5	—	5	—	ns
Chip deselection to output in high Z	t_{CHZ}	0	30	0	35	0	40	0	50	ns
Output disable to output in high Z	t_{OHZ}	0	30	0	35	0	40	0	50	ns

Read Timing Waveform (1)



5

4496203 0024951 657

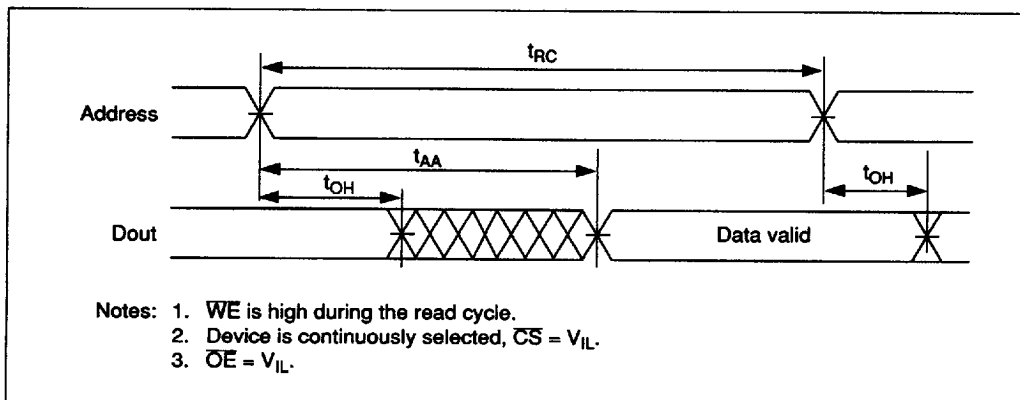
HITACHI

Hitachi America, Ltd. • Hitachi Plaza • 2000 Sierra Point Pkwy. • Brisbane, CA 94005-1819 • (415) 589-8300

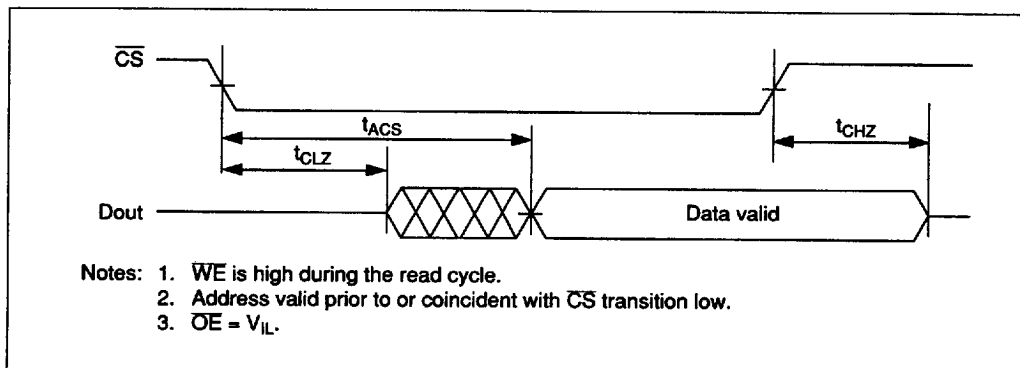
5-17

HM62256 Series

Read Timing Waveform (2)



Read Timing Waveform (3)



4496203 0024952 593

HITACHI

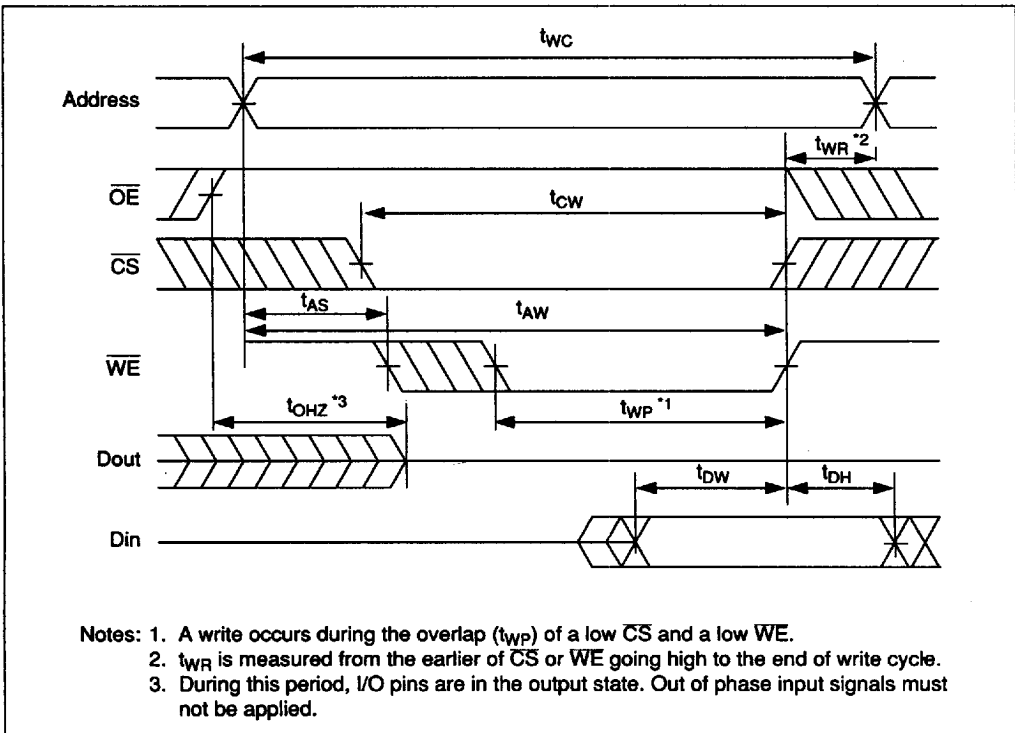
5-18

Hitachi America, Ltd. • Hitachi Plaza • 2000 Sierra Point Pkwy. • Brisbane, CA 94005-1819 • (415) 589-8300

Write Cycle

Parameter	Symbol	HM62256-8		HM62256-10		HM62256-12		HM62256-15		Unit
		Min	Max	Min	Max	Min	Max	Min	Max	
Write cycle time	t_{WC}	85	—	100	—	120	—	150	—	ns
Chip selection to end of write	t_{CW}	75	—	80	—	85	—	100	—	ns
Address valid to end of write	t_{AW}	75	—	80	—	85	—	100	—	ns
Address set up time	t_{AS}	0	—	0	—	0	—	0	—	ns
Write pulse width	t_{WP}	60	—	60	—	70	—	90	—	ns
Write recovery time	t_{WR}	10	—	0	—	0	—	0	—	ns
Write to output in high Z	t_{WHZ}	0	30	0	35	0	40	0	50	ns
Data to write time overlap	t_{DW}	40	—	40	—	50	—	60	—	ns
Data hold from write time	t_{DH}	0	—	0	—	0	—	0	—	ns
Output disable to output in high Z	t_{OHZ}	0	30	0	35	0	40	0	50	ns
Output active from end of write	t_{OW}	5	—	5	—	5	—	5	—	ns

Write Timing Waveform (1) (\overline{OE} Clock)



5

4496203 0024953 42T

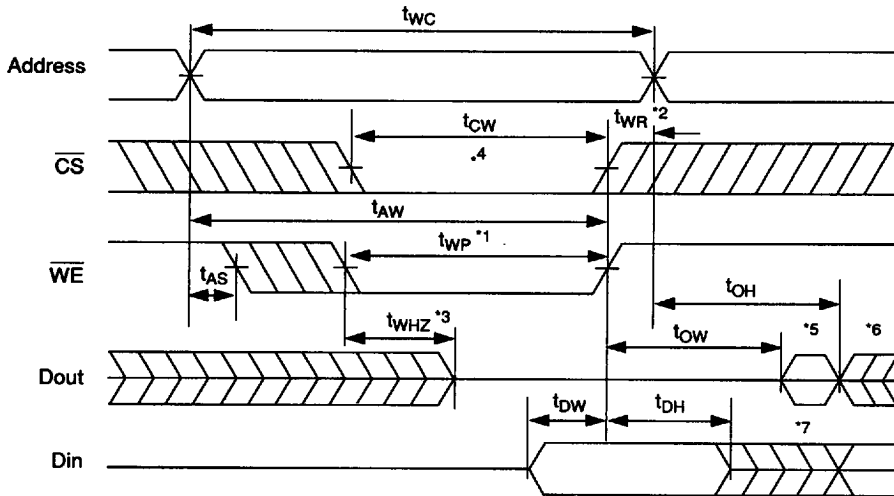
HITACHI

Hitachi America, Ltd. • Hitachi Plaza • 2000 Sierra Point Pkwy. • Brisbane, CA 94005-1819 • (415) 589-8300

5-19

HM62256 Series

Write Timing Waveform (2) (\overline{OE} Fixed Low)



- Notes:
1. A write occurs during the overlap (t_{WP}) of a low \overline{CS} and a low \overline{WE} .
 2. t_{WR} is measured from the earlier of \overline{CS} or \overline{WE} going high to the end of write cycle.
 3. During this period, I/O pins are in the output state. The input signals out of phase must not be applied.
 4. If the \overline{CS} low transition occurs simultaneously with the \overline{WE} low transition or after the \overline{WE} low transition, outputs remain in a high impedance state.
 5. Dout is in the same phase of written data of this write cycle.
 6. Dout is the read data of next address.
 7. If \overline{CS} is low during this period, I/O pins are in the output state. Out of phase input signals must not be applied to I/O pins.

4496203 0024954 366

HITACHI

5-20

Hitachi America, Ltd. • Hitachi Plaza • 2000 Sierra Point Pkwy. • Brisbane, CA 94005-1819 • (415) 589-8300

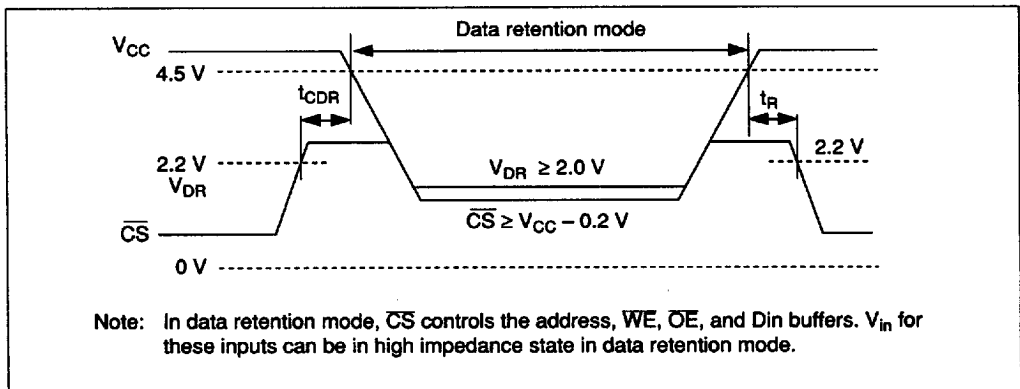
Low V_{CC} Data Retention Characteristics ($T_a = 0$ to $+70^\circ\text{C}$)

These characteristics are guaranteed only for L- and L-SL version.

Parameter	Symbol	Test Conditions	Min	Typ	Max	Unit
V_{CC} for data retention	V_{DR}	$\overline{CS} \geq V_{CC} - 0.2 \text{ V}$	2.0	—	—	V
Data retention current	I_{CCDR}	$V_{CC} = 3.0 \text{ V}$, $\overline{CS} \geq 2.8 \text{ V}$ $0 \text{ V} \leq V_{IN}$	—	—	50^{*2} 10^{*3}	μA
Chip deselect to data retention time	t_{CDR}	See retention waveform	0	—	—	ns
Operation recovery time	t_R	See retention waveform	t_{RC}^{*1}	—	—	ns

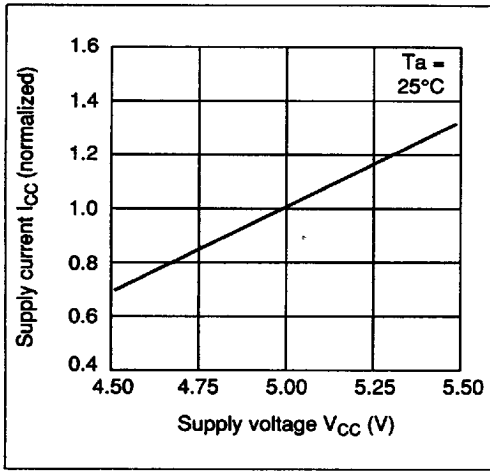
- Notes: 1. t_{RC} = read cycle time
 2. These characteristics are guaranteed only for L-version, $V_{IL} = -0.3 \text{ V}$ min, $20 \mu\text{A}$ max. at $T_a = 0$ to 40°C .
 3. These characteristics are guaranteed only for L-SL version, $V_{IL} = -0.3 \text{ V}$ min, $3 \mu\text{A}$ max. at $T_a = 0$ to 40°C .

Low V_{CC} Data Retention Waveform

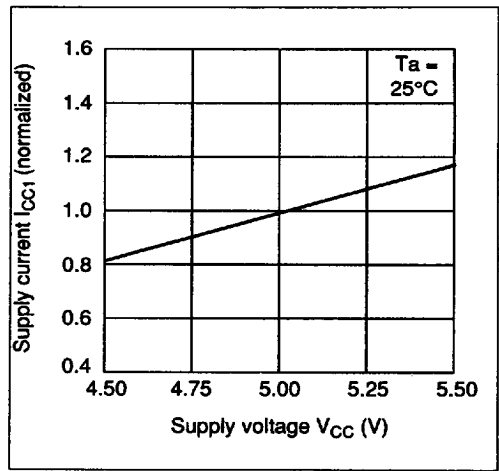


HM62256 Series

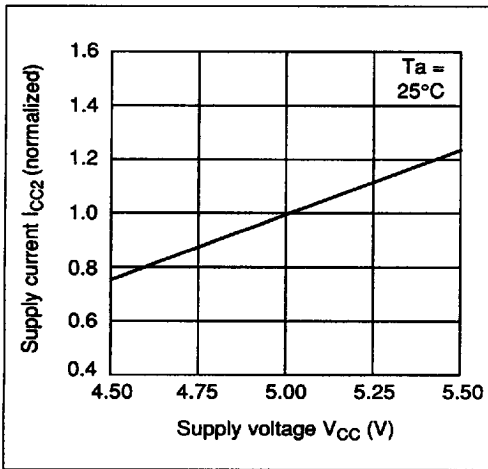
Characteristic Curves



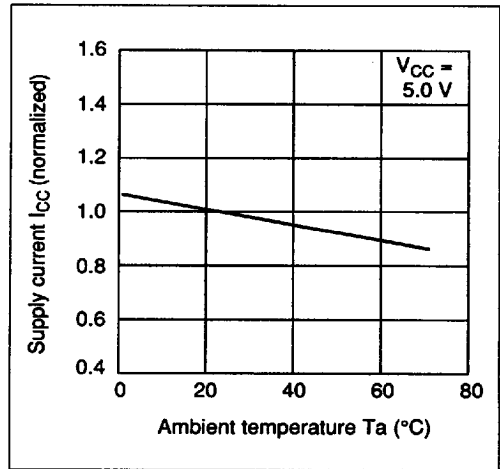
Supply Current vs. Supply Voltage (1)



Supply Current vs. Supply Voltage (2)



Supply Current vs. Supply Voltage (3)



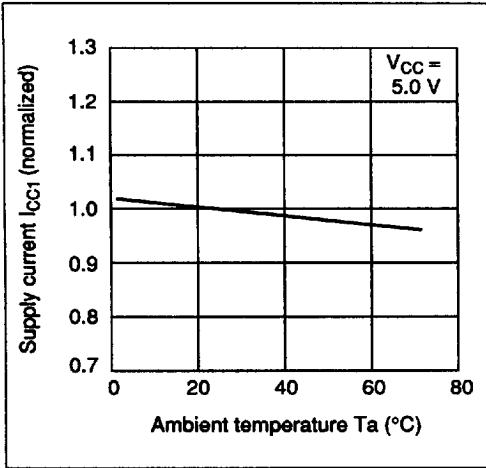
Supply Current vs. Ambient Temperature (1)

4496203 0024956 139

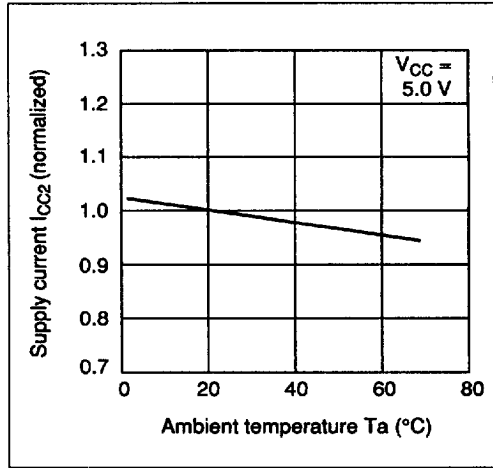
HITACHI

5-22

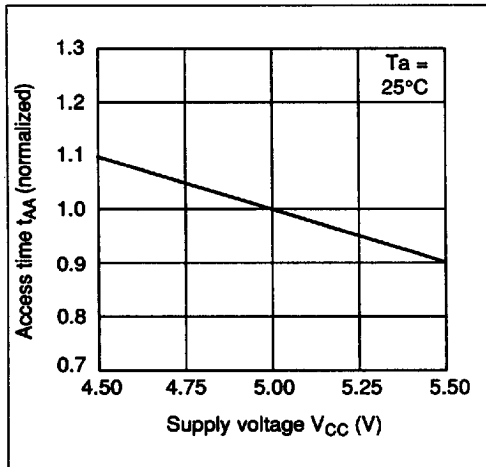
Hitachi America, Ltd. • Hitachi Plaza • 2000 Sierra Point Pkwy. • Brisbane, CA 94005-1819 • (415) 589-8300



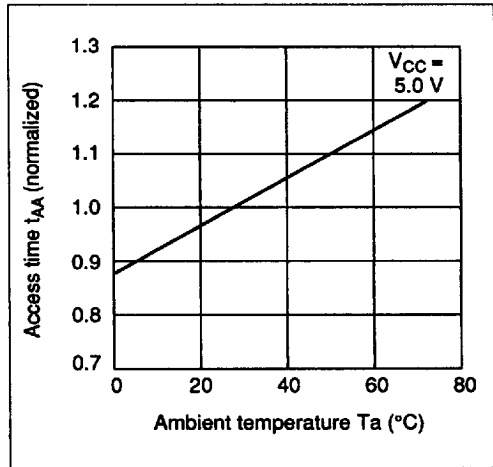
Supply Current vs. Ambient Temperature (2)



Supply Current vs. Ambient Temperature (3)



Access Time vs. Supply Voltage



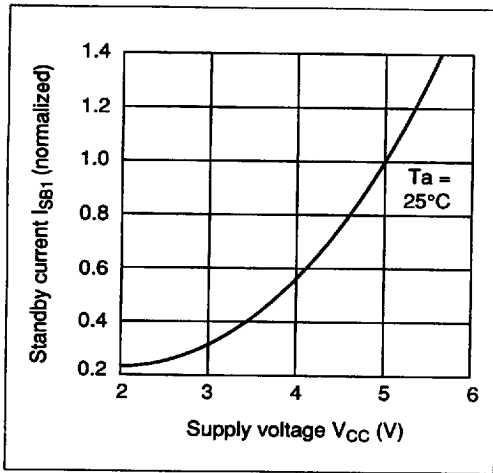
Access Time vs. Ambient Temperature

4496203 0024957 075

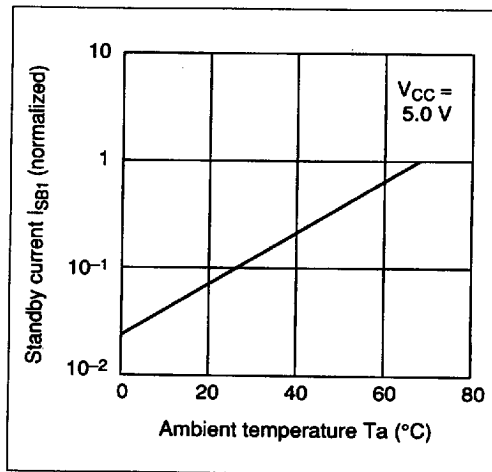
HITACHI

Hitachi America, Ltd. • Hitachi Plaza • 2000 Sierra Point Pkwy. • Brisbane, CA 94005-1819 • (415) 589-8300

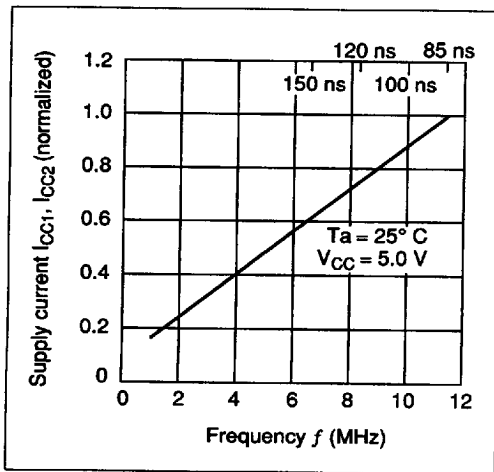
5-23



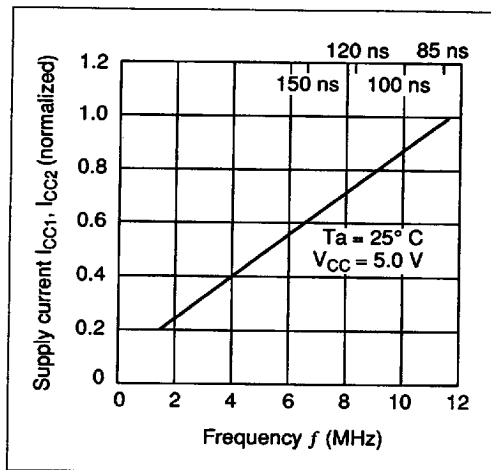
Standby Current vs. Supply Voltage



Standby Current vs. Ambient Temperature



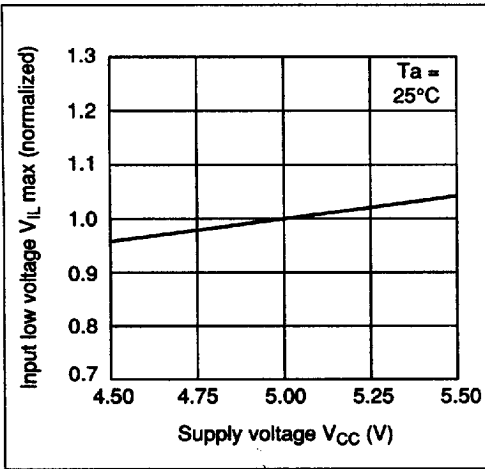
Supply Current vs. Frequency (Read)



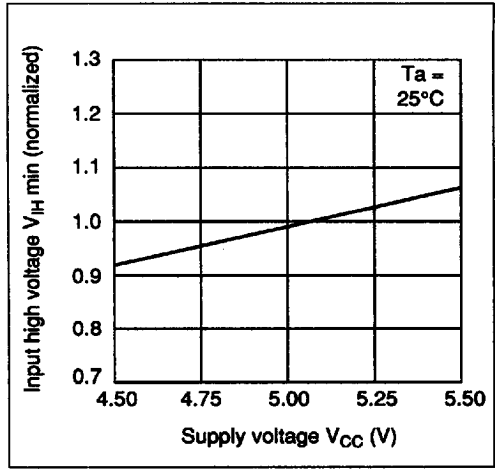
Supply Current vs. Frequency (Write)

4496203 0024958 T01

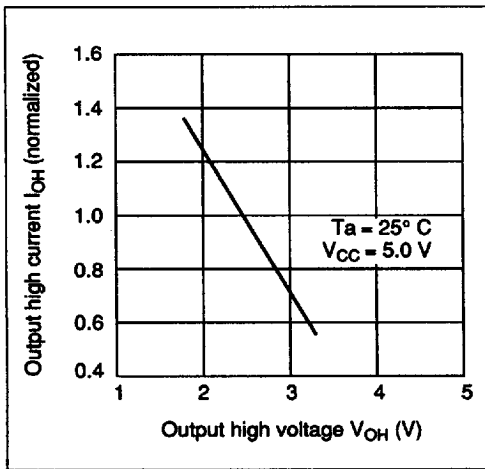
HITACHI



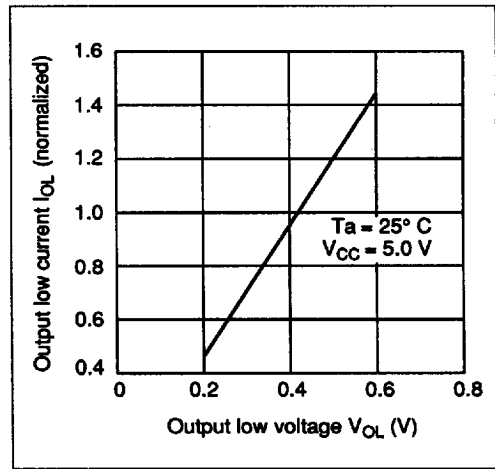
Input Low Voltage vs. Supply Voltage



Input High Voltage vs. Supply Voltage



Output Current vs. Output Voltage (High)



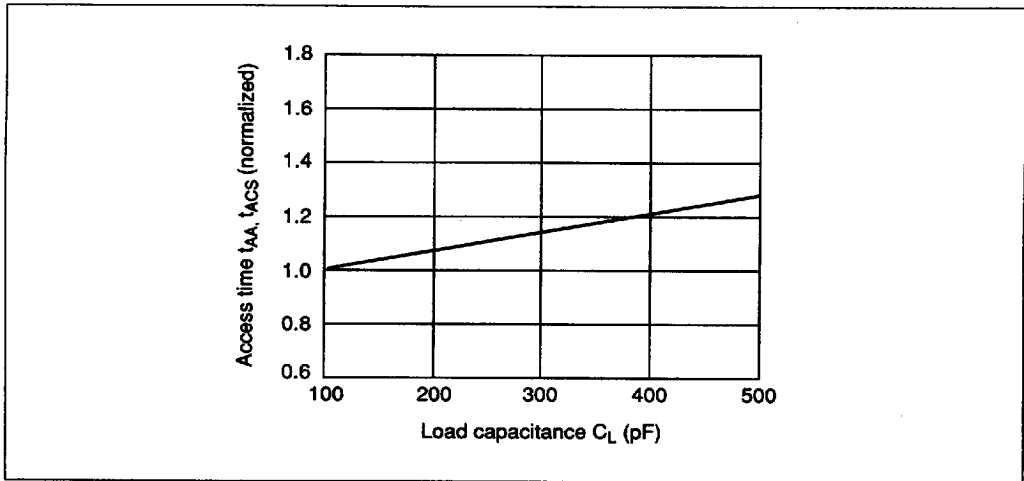
Output Current vs. Output Voltage (Low)

4496203 0024959 948

HITACHI

Hitachi America, Ltd. • Hitachi Plaza • 2000 Sierra Point Pkwy. • Brisbane, CA 94005-1819 • (415) 589-8300

HM62256 Series



Access Time vs. Load Capacitance

4496203 0024960 66T

HITACHI

5-26

Hitachi America, Ltd. • Hitachi Plaza • 2000 Sierra Point Pkwy. • Brisbane, CA 94005-1819 • (415) 589-8300