

General Description

The DW01 Plus battery protection IC is designed to protect lithium-ion/polymer battery from damage or degrading the lifetime due to overcharge, overdischarge, and/or overcurrent for one-cell lithium-ion/polymer battery powered systems, such as cellular phones.

The ultra-small package and less required external components make it ideal to integrate the DW01 Plus into the limited space of battery pack. The accurate $\pm 50\text{mV}$ overcharging detection voltage ensures safe and full utilization charging. The very low standby current drains little current from the cell while in storage.

Features

- Reduction in Board Size due to Miniature Package SOT-23-6.
- Ultra-Low Quiescent Current at $3\ \mu\text{A}$ ($V_{\text{CC}}=3.9\text{V}$).
- Ultra-Low Power-Down Current at $0.1\ \mu\text{A}$ ($V_{\text{CC}}=2.0\text{V}$).
- Precision Overcharge Protection Voltage $4.3\text{V} \pm 50\text{mV}$ for the DW01 Plus
- Load Detection Function during Overcharge Mode.
- Two Detection Levels for Overcurrent Protection.
- Delay times are generated by internal circuits. No external capacitors required.

Ordering Information

DW01+

PACKAGE TYPE
SOT-23-6

TEMPERATURE RANGE
 $-40^{\circ}\text{C}\sim+85^{\circ}\text{C}$

OVERCHARGE PROTECTION
 $4.3\text{V} \pm 50\text{mV}$

Applications

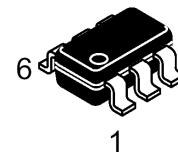
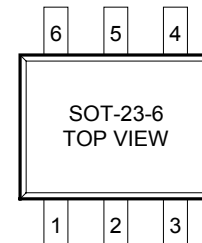
- Protection IC for One-Cell Lithium-Ion / Lithium-Polymer Battery Pack

Product Name List

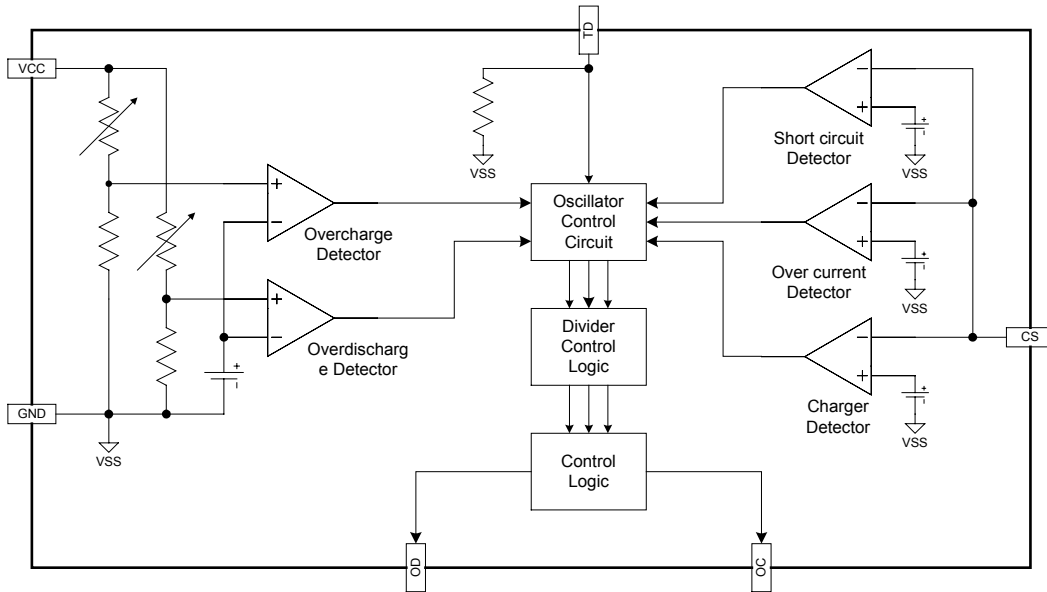
Model	Package	Overcharge detection voltage [VocP] (V)	Overcharge release voltage [VOCR] (V)	Overdischarge detection voltage [VODP] (V)	Overdischarge release voltage [VODR] (V)	Overcurrent detection voltage [VoI1] (mV)
	SOT-23-6					
DW01 Plus	DW01	4.300±0.050	4.100±0.050	2.40±0.100	3.0±0.100	150±30

Pin Configuration

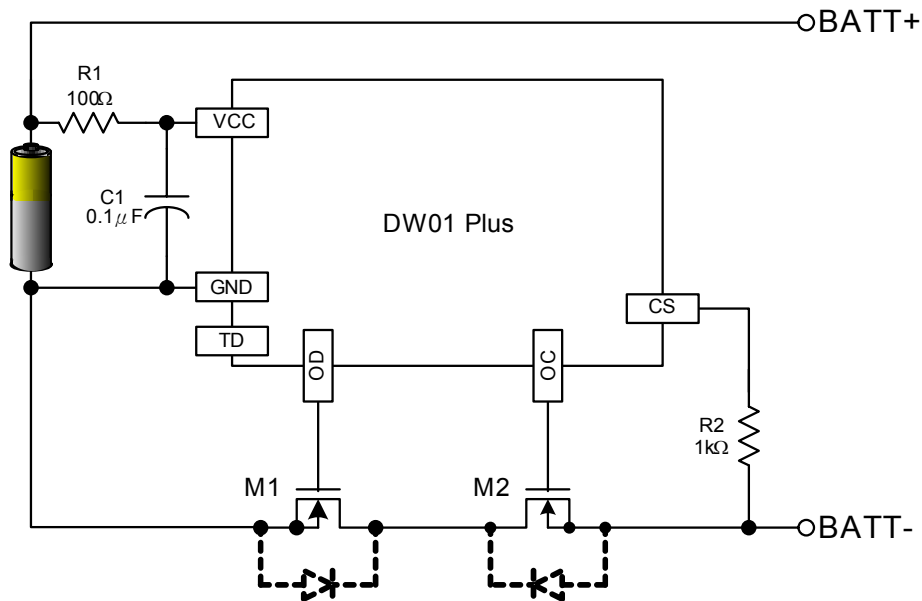
Pin No.	Symbol	Description
1	OD	MOSFET gate connection pin for discharge control
2	CS	Input pin for current sense, charger detect
3	OC	MOSFET gate connection pin for charge control
4	TD	Test pin for reduce delay time
5	VCC	Power supply, through a resistor (R1)
6	GND	Ground pin



Functional Block Diagram



Typical Application Circuit



Absolute Maximum Ratings

(VSS=0V, Ta=25 °C unless otherwise specified)

Item	Symbol	Rating	Unit
Input voltage between VDD and VSS *	VDD	VSS-0.3 to VSS+10	V
OC output pin voltage	Voc	VDD-26 to VDD+0.3	V
OD output pin voltage	Vod	VSS-0.3 to VDD+0.3	V
CS input pin voltage	Vcs	VDD-26 to VDD+0.3	V
Operating Temperature Range	TOP	-40 to +85	°C
Storage Temperature Range	TST	-40 to +125	°C

Note: DW01 Plus contains a circuit that will protect it from static discharge; but please take special care that no excessive static electricity or voltage which exceeds the limit of the protection circuit will be applied to it.

Electrical Characteristics

(Ta=25°C unless otherwise specified)

PARAMETER	TEST CONDITIONS	SYMBOL	Min	Typ	Max	UNIT
Supply Current	Vcc=3.9V	ICC		3.0	6.0	μA
Power-Down Current	Vcc=2.0V	IPD			0.1	μA
Overcharge Protection Voltage	DW01 Plus	VOCP	4.25	4.30	4.35	V
Overcharge Release Voltage		VOCR	4.05	4.10	4.15	V
Overdischarge Protection Voltage		VODP	2.30	2.40	2.50	V
Overdischarge Release Voltage		VODR	2.90	3.00	3.10	V
Overcurrent Protection Voltage		VOIP (VOI1)	120	150	180	mV
Short Current Protection Voltage	Vcc=3.6V	VSIP (VOI2)	1.25	1.35	1.45	V
Overcharge Delay Time		TOC		80	200	ms
Overdischarge Delay Time	Vcc=3.6V to 2.0V	TOD		20	60	ms
Overcurrent Delay Time (1)	Vcc=3.6V	TOI1		10	20	ms
Overcurrent Delay Time (2)	Vcc=3.6V	TOI2		5	50	μs
Charger Detection Threshold Voltage		VCH	-1.2	-0.7	-0.2	V
OD Pin Output "H" Voltage		VDH	Vcc-0.1	Vcc-0.02		V
OD Pin Output "L" Voltage		VDL		0.1	0.5	V
OC Pin Output "H" Voltage		VCH	Vcc-0.1	Vcc-0.02		V
OC Pin Output "L" Voltage		VCL		0.1	0.5	V

Description of Operation

1. Overcharge Protection

When the voltage of the battery cell exceeds the overcharge protection voltage (V_{OCP}) beyond the overcharge delay time (T_{OC}) period, charging is inhibited by turning off of the charge control MOSFET. The overcharge condition is released in two cases:

- 1) The voltage of the battery cell becomes lower than the overcharge release voltage (V_{OCR}) through self-discharge.
- 2) The voltage of the battery cell falls below the overcharge protection voltage (V_{OCP}) and a load is connected.

When the battery voltage is above V_{OCP} , the overcharge condition will not release even a load is connected to the pack.

2. Overdischarge Protection

When the voltage of the battery cell goes below the overdischarge protection voltage (V_{ODP}) beyond the overdischarge delay time (T_{OD}) period, discharging is inhibited by turning off the discharge control MOSFET. The default of overdischarge delay time is 10ms. Inhibition of discharging is immediately released when the voltage of the battery cell becomes higher than overdischarge release voltage (V_{ODR}) through charging.

3. Overcurrent Protection

In normal mode, the DW01 Plus continuously monitors the discharge current by sensing the voltage of CS pin. If the voltage of CS pin exceeds the overcurrent protection voltage (V_{OIP}) beyond the overcurrent delay time (T_{OI1}) period, the overcurrent protection circuit operates and discharging is inhibited by turning off the discharge control MOSFET. The overcurrent condition returns to the normal mode when the load is released or the impedance between BATT+ and BATT- is larger than 500k Ω . The DW01 Plus provides two overcurrent detection levels (0.15V and 1.35V) with two overcurrent delay time (T_{OI1} and T_{OI2}) corresponding to each overcurrent detection level.

4. Charge Detection after Overdischarge

When overdischarge occurs, the discharge control MOSFET turns off and discharging is inhibited. However, charging is still permitted through the parasitic diode of MOSFET. Once the charger is connected to the battery pack, the DW01 Plus immediately turns on all the timing generation and detection circuitry. Charging progress is sensed if the voltage between CS and GND is below charge detection threshold voltage (V_{CH}).

5. Power-Down after Overdischarge

When overdischarge occurs, the DW01 Plus will enter into power-down mode, turning off all the timing generation and detection circuitry to reduce the quiescent current to 0.1 μ A ($V_{CC}=2.0V$). At the same time, the CS pin is pull-up to V_{CC} through an internal resistor.

Design Guide

1. Selection of External Control MOSFET

Because the overcurrent protection voltage is preset, the threshold current for overcurrent detection is determined by the turn-on resistance of the charge and discharge control MOSFETs. The turn-on resistance of the external control MOSFETs can be determined by the equation: $R_{ON} = V_{OIP} / (2 \times I_T)$ (I_T is the overcurrent threshold current). For example, if the overcurrent threshold current I_T is designed to be 3A, the turn-on resistance of the external control MOSFET must be 25m Ω . Be aware that turn-on resistance of the MOSFET changes with temperature variation due to heat dissipation. It changes with the voltage between gate and source as well. (Turn-on resistance of MOSFET increases as the voltage between gate and source decreases). As the turn-on resistance of the external MOSFET changes, the design of the overcurrent threshold current changes accordingly.

2. Suppressing the Ripple and Disturbance from Charger

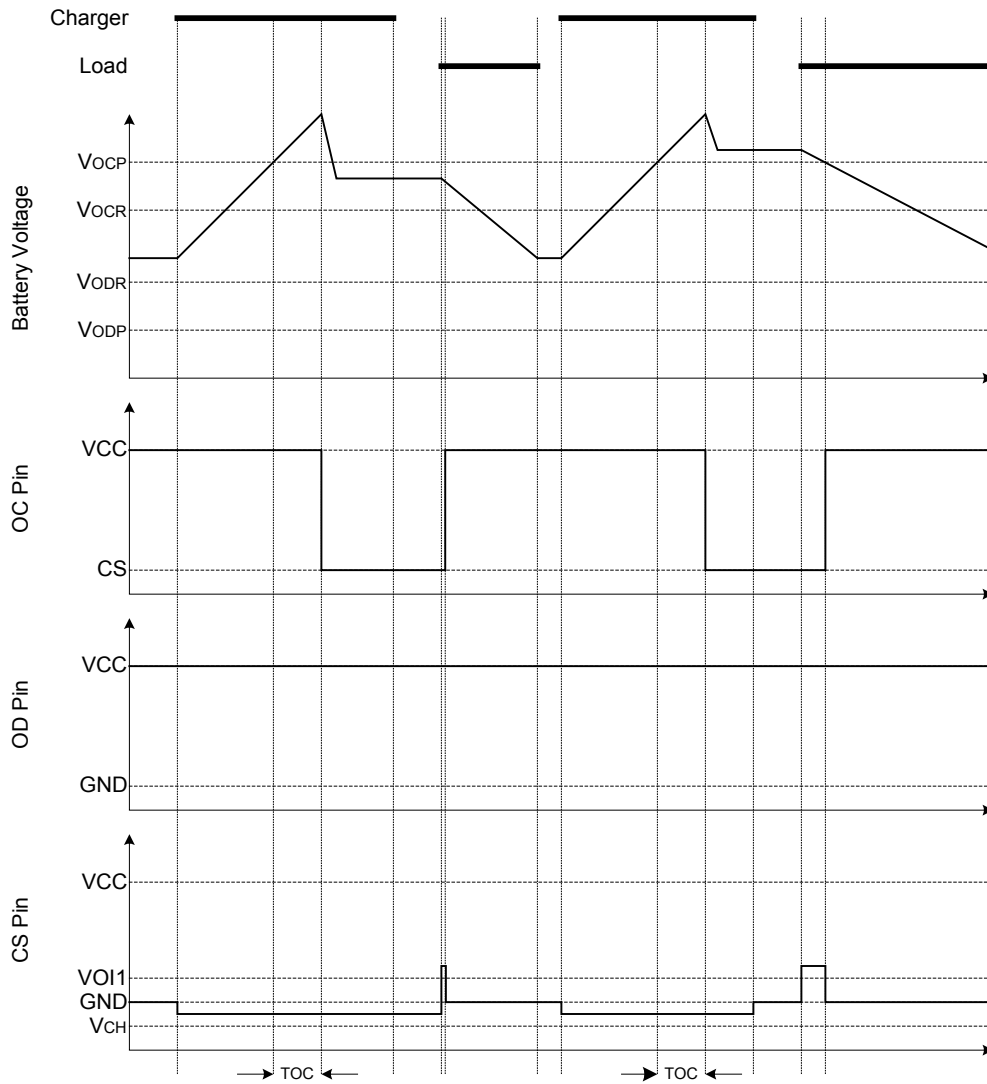
To suppress the ripple and disturbance from charger, connecting R1 and C1 to Vcc is recommended.

3. Protection the CS pin

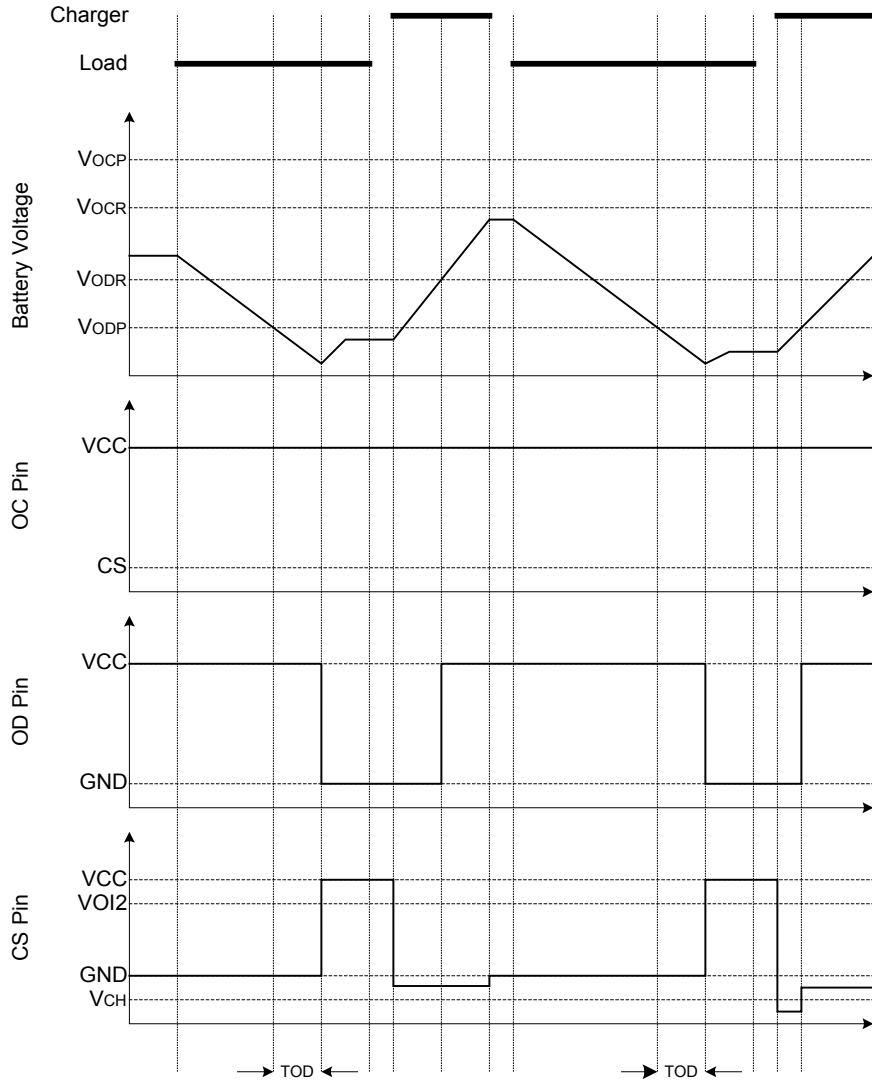
R2 is used for latch-up protection when charger is connected under overdischarge condition and overstress protection at reverse connecting of a charger.

Timing Diagram

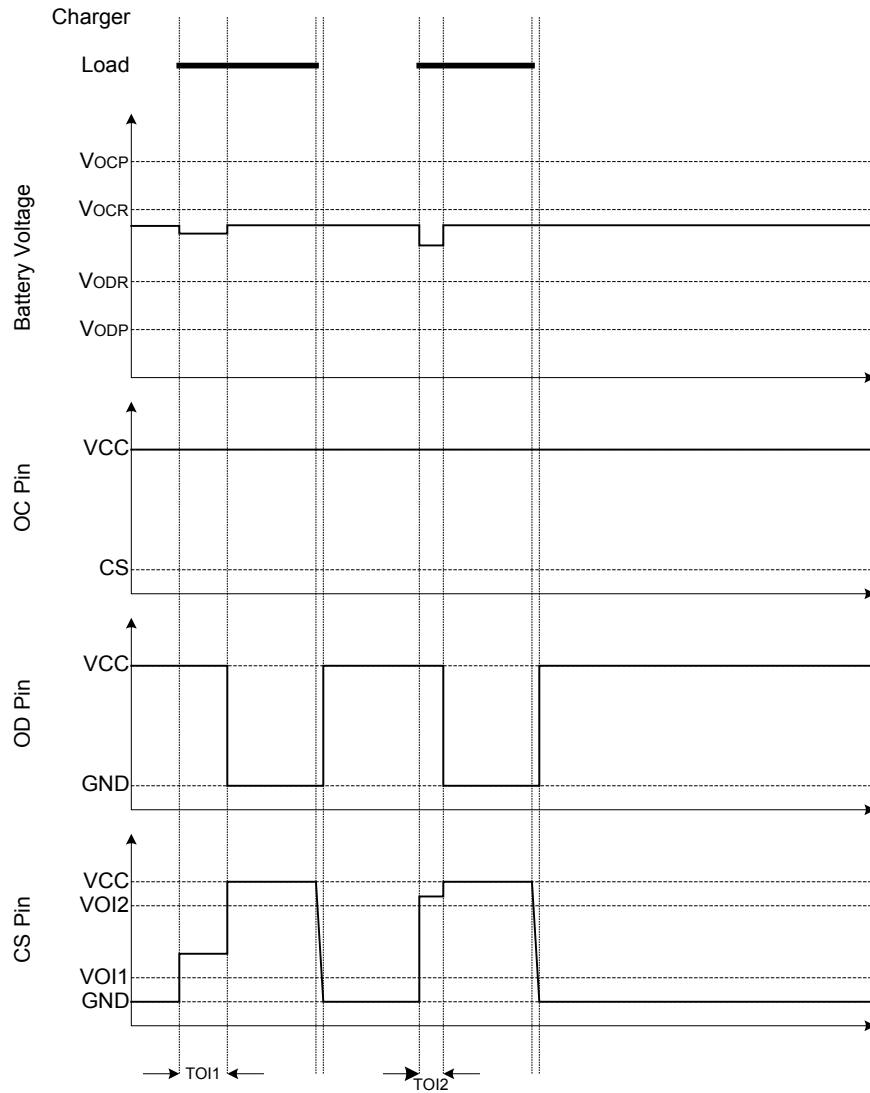
1. Overcharge Condition → Load Discharging → Normal Condition



2. Overdischarge Condition → Charging by a Charger → Normal Condition



3. Over Current Condition → Normal Condition



Package Outline

